



LIGHT DUTY CATALOG

600 - 8,000 LBS. AXLE CAPACITY



Table of Contents



INTRODUCTION

Video Gallery	2
Important Information	3
Product Information	
NEV-R-ADJUST® Product Information	5
NEV-R-LUBE® Product Information	6
Torflex® Product Information	7
Leaf Spring Product Information.....	8
Airflex® Product Information	9

600 - 1100 LBS. CAPACITY

Application Information	
Torflex® Application Information	10
Hub Groups	
440 and 545 Hub Group.....	12
Brakes	
7" x 1-1/4" 2,200 lbs. Electric Brake	13
7" x 1-1/4" 2,200 lbs. Electric Brake With Parking Feature.....	14
7" x 1-3/4" 2,500 lbs. Hydraulic Brake	15

1000 - 2200 LBS. CAPACITY

Application Information	
Torflex® Application Information	16
Leaf Spring Application Information	18
Hub Groups	
440 and 545 Hub Group.....	19
Brakes	
7" x 1-1/4" 2,200 lbs. Electric Brake	20
7" x 1-1/4" 2,200 lbs. Electric Brake With Parking Feature.....	21
7" x 1-3/4" 2,500 lbs. Hydraulic Brake	22

2300 - 4000 LBS. CAPACITY

Application Information	
Torflex® Application Information	23
Leaf Spring Application Information	25
Hub Groups	
545 Hub Group - For D30/ #10L.....	27
545 and Other Hub Group - For D35/#10	28
545 Hub Group - For D40/ #10F	29
655 Nev-R-Lube® Hub Group	30
Brakes	
10" x 1-1/2" 3,000 lbs. Electric Brake	31
10" x 1-1/2" 3,000 lbs. Nev-R-Adjust® Electric Brake	32
10" x 2-1/4" 3,500 lbs. Electric Brake	33
10" x 2-1/4" 3,500 lbs. Electric Brake With Parking Feature.....	34
10" x 2-1/4" 3,500 lbs. Nev-R-Adjust® Electric Brake	35
10" x 2-1/4" 4,400 lbs. Electric Brake Manual Adjust	36
10" x 2-1/4" 4,400 lbs. Nev-R-Adjust® Electric Brake	37
10" x 2-1/4" 3,500 lbs. Hydraulic Brake	38

10" x 2-1/4" 3,500 lbs. Hydraulic Brake - Parking Feature	39
10" x 2-1/4" 3,500 lbs. Hydraulic Brake Free Backing.....	40
Disc Brake for 3,500 lbs. Axles	41
Disc Brake for 3,500 lbs. Axles	42
Recommended Wheel Clearance for 3,500 lbs. Disc Brake	43

4100-6000 LBS. CAPACITY

Application Information	
Torflex® Application Information	44
Leaf Spring Application Information	46
Hub Groups	
655 Hub Group - For D44	48
655 Hub Group - For D52/D60.....	49
655 Nev-R-Lube® Hub Group	50
Brakes	
10" x 2-1/4" 4,400 lbs. Electric Brake Manual Adjust	51
10" x 2-1/4" 4,400 lbs. Nev-R-Adjust® Electric Brake	52
12" x 2" 6,000 lbs. Electric Brake.....	53
12" x 2" 6,000 lbs. Electric Brake With Parking Feature	54
12" x 2" 6,000 lbs. Nev-R-Adjust® Electric Brake	55
12" x 2" 5,200 lbs. Hydraulic Brake	56
12" x 2" 5,200 lbs. Hydraulic Brake With Parking Feature	57
Disc Brake for 6,000 lbs. Axles	58
Recommended Wheel Clearance for 6,000 lbs. Disc Brake	59

5500-7000 LBS. CAPACITY

Application Information	
Torflex® Application Information	60
Leaf Spring Application Information	64
Hub Groups	
865 and Demountable Hub Group.....	66
655 and 865 Nev-R-Lube® Hub Group.....	67
Brakes	
12" x 2" 6,000 lbs. Electric Brake.....	68
12" x 2" 6,000 lbs. Electric Brake With Parking Feature	69
12" x 2" 6,000 lbs. Nev-R-Adjust® Electric Brake	70
12" x 2" 7,000 lbs. Electric Brake.....	71
12" x 2" 7,000 lbs. Nev-R-Adjust® Electric Brake	72
12" x 2" 7,000 lbs. Hydraulic Brake	73
12" x 2" 7,000 lbs. Hydraulic Brake With Parking Feature	74
12" x 2" 7,000 lbs. Hydraulic Brake Free Backing.....	75
12" x 2" 7,000 lbs. Hydraulic Brake Free Backing Parking Feature.....	76
Disc Brake for 6,000 lbs. Axles - Integral Hub & Rotor	77
Disc Brake for 6,000 lbs. Axles	78
Recommended Wheel Clearance for 6,000 lbs. Disc Brake	79
Disc Brake for 7,000 lbs. Axles	80
Recommended Wheel Clearance for 7,000 lbs. Disc Brake	81
Airflex® Suspension System	
Airflex® for 7,000 lbs. Axles	82

Table of Contents



7200 LBS. CAPACITY

Application Information

Torflex® Application Information	84
Leaf Spring Application Information	86

Hub Groups

865 Hub Group	88
865 Nev-R-Lube® Hub Group	89

Brakes

12-1/4" x 2-1/2" 7,200 lbs. Electric Brake - Cast Backing Plate	90
12-1/4" x 2-1/2" 8,000 lbs. Electric Brake FSA.....	91

Airflex® Suspension System

Airflex® for 7,200 lbs. Axles - After May 2010	92
--	----

8000 LBS. CAPACITY

Application Information

Torflex® Application Information	93
Leaf Spring Application Information	95

Hub Groups

865 Hub Group - For D80N/ #13N Axles.....	97
865 Hub Group	98
865 Nev-R-Lube® Hub Group	99

Brakes

12-1/4" x 2-1/2" 8,000 lbs. Electric Brake FSA.....	100
12-1/4" x 3-3/8" 8,000 lbs. Electric Brake FSA.....	101

12-1/4" x 3-3/8" 8,000 lbs. Electric Brake Manual Adjust.....	102
12-1/4" x 3-3/8" 8,000 lbs. Hydraulic Brake FSA.....	103
12-1/4" x 3-3/8" 8,000 lbs. Hydraulic Brake Manual Adjust...	104
12-1/4" x 3-3/8" 8,000 lbs. Hydraulic Brake Parking Feature Manual Adjust	105
12-1/4" x 3-3/8" 8,000 lbs. Hydraulic Brake RSA Parking Feature.....	106
12-1/4" x 3-3/8" 8,000 lbs. Hydraulic Brake with Parking Feature Manual Adjust (Uni-Servo).....	107
Disc Brake for 8,000 lbs. Axles	108
Recommended Wheel Clearance for 8,000 lbs. lbs. Disc Brake	109
Airflex® Suspension System	
Airflex® for 8,000 lbs. Axles - Before May 2010	110
Airflex® for 8,000 lbs. Axles - After May 2010	111

SUSPENSION COMPONENTS

Double Eye Suspension Components	112
Slipper Springs Suspension Components	113
U-Bolts & Tie Plates.....	114

ADDITIONAL INFORMATION

Torflex® Installation	115
Limited Warranty.....	118
Locations.....	119

Video Gallery

In keeping with our continual commitment to industry safety and the development of innovative products, please feel free to view our ongoing video gallery at www.dexteraxle.com/resources/videos or scan the following QR codes. We are confident these videos will help educate and promote the Dexter product line that you, as our customer, are investing in.



Bearing Maintenance



E/H Actuator Installation



Electric Brakes



E-Z FLEX® Suspension



TORFLEX® Suspension Axles



E-Z LUBE® System



Genuine Brakes



Genuine Replacement Parts



Leaf Spring Axles



Sway Control



Manual Bleed Hydraulic Disc



Medium Duty Axles



Nev-R-Adjust® Brakes



Power Bleed Hydraulic Disc



Removable Spindle

Important Information



This information is intended as a guide for the proper specification and application of Dexter running gear, associated components and accessories.

Dexter offers a full line of trailer axles that can be used in many different applications. When specifying any pre-engineered components such as axles, it is the responsibility of the trailer designer to ensure compatibility with the vehicle and all of its sub-systems.

Important Information

The information presented is meant to assist trailer manufacturers in the specification of their running gear components. Dexter does not warrant that the information given constitutes an approved trailer design or application. Dynamic loading, travel requirements unique to the trailer design, unusual service conditions, trailer configurations, unequal load distribution, hitch or coupler arrangements and towing vehicle suspension characteristics can significantly affect the performance of any trailer axle and/or suspension systems. It remains the responsibility of the trailer manufacturer to evaluate, specify and test their trailer/running gear combination before production and to certify it as such. While the information presented at the time of this writing is current, it is subject to change as designs and components evolve over time.

Disclaimer of Warranty and Limitation of Liability

All users of this product catalog acknowledge that the information presented is significantly affected by factors within the exclusive knowledge of the user including, among other things, service conditions, trailer configurations, load distributions, hitch and coupler arrangements and tow vehicle suspension characteristics, that the users have independently investigated these factors and have solely relied on those investigations when using this catalog, and that it is the responsibility of the user to adequately specify, evaluate and test its trailer/running gear combinations.

DEXTER DISCLAIMS ALL WARRANTIES, WHETHER WRITTEN, ORAL OR IMPLIED, IN FACT OR IN LAW (INCLUDING ANY WARRANTY OF MERCHANTABILITY OR FITNESS FOR A PARTICULAR PURPOSE), ASSOCIATED WITH THE USE OF THE CATALOG AND WITH ANY INFORMATION PRESENTED BY THIS CATALOG.

Dexter shall not be liable in damages (whether compensatory, punitive, direct, indirect, special, incidental or consequential) to any user of this catalog under contract, tort, strict liability or any other theory of liability, and any user agrees to indemnify and hold Dexter harmless from any and all claims, actions or other proceedings (including attorney fees and court costs) arising out of the use of this catalog to the extent said claims, actions or other proceedings do not arise out of the sole and exclusive negligence of Dexter.

Load Ratings

The maximum load carrying capacity of any assembly is limited to the lowest load rating of any individual component selected. For instance, the load rating of a pair of wheels may be lower than other axle components selected. If this is the case, the load

carrying capacity of the axle assembly is reduced accordingly. As a specific example, if a pair of wheels is rated at 1500 pounds each and is used with other components rated at 4000 pounds per axle, the maximum load capacity is limited to 3000 pounds. If two tires are rated at 1400 pounds each and are used on this assembly, the maximum load carrying capacity is limited to 2800 pounds.

Axle Orientation

When working with trailer running gear, it is important to understand the various features and descriptions of the equipment. Most trailer axles are directional by nature, that is, it is imperative that they be installed onto the trailer in the proper manner to ensure brake functioning and correct wheel alignment. The front of the axle must be oriented toward the front of the trailer. The convention used to define right and left is based on viewing the trailer from the rear and facing in the direction of forward travel.

Features to help identify the front of the axle:

- Electric brake wires exit brake backing plates toward the rear of the axle.
- 12¹/₄" hydraulic brakes have view ports through the dust shield on the back of the assembly. Where the brake lining is visible in the view port, that will indicate the rear or secondary shoe which is always oriented toward the rear of the axle.
- Slipper springs have the spring eye at the front of the axle.
- Leaf spring axles with inner wiring have the wires exit the tube toward the rear of the axle.
- Torflex® axles have the wheel center trailing behind the axle tube.
- Axles using 3/4" spherical ball seat wheel nuts will have right and left handed threads. The right handed thread must be on the right end or curb side of the axle while the left handed thread will be on the left end or road side of the axle.

Stub Axle Disclaimer

A stub axle is described as a trailer axle spindle, welded to a short length of tubing. Stub axles may be specified and purchased as plain spindle/tube weldments or they may be fully assembled wheel end units, with or without trailer brakes.

These incomplete axles are sold to manufacturers who wish to incorporate them into a variety of applications such as specialty vehicular axles, belt tensioning devices, machinery pivot points, etc. Dexter has no control of the design intent of these special applications and therefore cannot apply a rating or capacity to these components.

The spindle/tube connection has been designed for suitable stress levels when used in a trailer axle, mounted to an approved suspension system and loaded to no more than the stated capacity. The use of all or part of the product for applications other than its intended purpose may not be appropriate. It is the

Important Information



customers' responsibility to determine the efficacy and safety of their particular application.

Torflex® axles can also be purchased as stub axles. This type of axle incorporates a self-contained suspension system. They can be specified as stub assemblies that will be rated for capacity when fitted with approved mounting brackets. The stated capacity will be based on the lowest rated component in each assembly.

These stub assemblies are essentially half axles that are intended to be mounted to the trailer chassis independent of each other. The trailer manufacturer must assume responsibility for the integrity of the attachment as well as the final wheel alignment since independent mounting puts these critical aspects out of Dexter's control. If used in pairs of unequal capacity, the trailer manufacturer should assign a Gross Axle Weight Rating of not more than two times the capacity of the lower rated sub assembly.

GAL-DEX®

GAL-DEX® is a galvanic coating used for corrosion protection of equipment in marine applications and is available on popular hubs and hub-drums and attaching parts.

- GAL-DEX® coating is a process that coats parts by overlapping zinc and aluminum flakes in an inorganic binder.
- Barrier protection coating serves as a barrier between steel substrate and elements.
- Galvanic action – the zinc corrodes to protect the steel.
- Passivation – the metal oxide slows down the corrosion reaction (3 times greater protection than pure zinc).
- Self-repairing coating migrates to damaged areas and restores barrier protection.
- Corrosion resistance provides Salt Spray protection in excess of 1,000 hours.



NEV-R-ADJUST[®]

FORWARD SELF-ADJUSTING ELECTRIC BRAKES



WHAT IS NEV-R-ADJUST?

During travel, the brakes automatically rotate an adjuster assembly to close the gap caused by lining wear. This eliminates the need for manual brake adjustments while maintaining optimum performance and braking power. Dexter's Nev-R-Adjust brakes have been extensively tested and proven to reduce stopping distances up to 50% versus improperly adjusted brakes.

STOP SAFELY WITH NEV-R-ADJUST

Road hazards appear suddenly without warning. With a trailer behind you there's no time to second guess your ability to stop. Proper adjustment is crucial to brake performance. Improperly adjusted trailer brakes can greatly increase stopping distances, potentially putting you and your cargo in harm's way.

Nev-R-Adjust brakes automatically adjust to proper clearances during travel allowing you to stop with confidence. Nev-R-Adjust eliminates the need for repeated, time consuming manual adjustments.

Dexter's Nev-R-Adjust brakes have been extensively tested and proven to reduce stopping distances up to 50% versus improperly adjusted brakes.

- **ELIMINATES MANUAL BRAKE ADJUSTMENTS**
- **SAVES TIME AND MONEY**
- **RETROFITS TO EXISTING AXLES**
- **REDUCES STOPPING DISTANCE**
- **TORFLEX[®] AND SPRUNG AXLES UP TO 7,000 LBS.**
- **MADE IN THE U.S.A.**
- **FIVE-YEAR LIMITED WARRANTY**
- **ISO 9001:2015 CERTIFIED PRODUCTION ENVIRONMENT**



ENGINEERING BRAKE TEST RESULTS

Trailer with Properly Adjusted Brakes



Stopping Distance at 60mph

Trailer with Under Adjusted Brakes



NEV-R-ADJUST SPECIFICATIONS

Available as a replacement or upgrade to 10" x 1-1/2", 10" x 2-1/4", and 12" x 2" electric brakes.

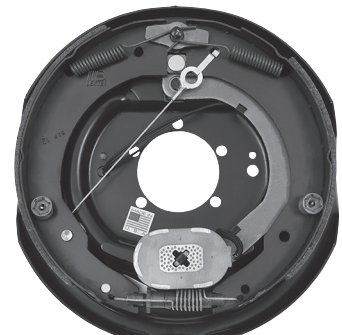
These Nev-R-Adjust brakes are CSA approved.



10" x 1-1/2"



10" x 2-1/4"



12" x 2"



NEV-R-LUBE®

SEALED CARTRIDGE BEARING SYSTEM

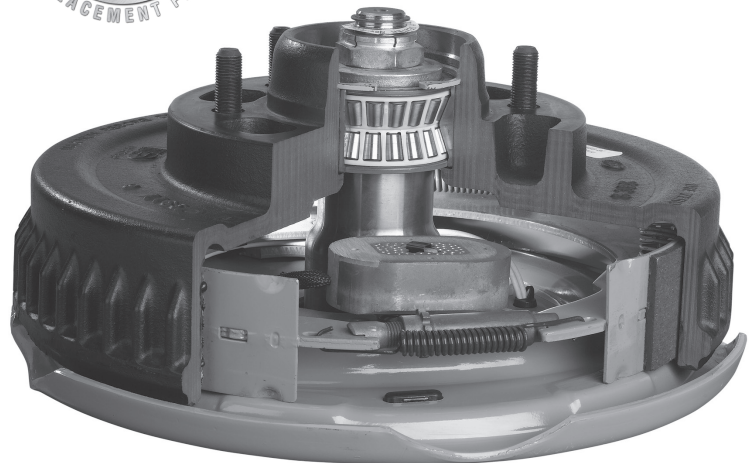
WHAT IS NEV-R-LUBE®?

Dexter's Nev-R-Lube® bearings are comprised of opposed tapered roller bearing cones sealed inside of a precision ground, one piece double cup arrangement. These bearings are designed with a small amount of axle end play. The end play is essential to the longevity of the bearing's service life. Nev-R-Lube® is not designed for immersion in water, such as boat trailer use.



SAVE TIME AND MONEY WITH NEV-R-LUBE

- MAINTENANCE FREE
- NO BEARING ADJUSTMENT REQUIRED
- AVAILABLE ON TORFLEX® & SPRUNG AXLES BETWEEN 5,200 AND 8,000 LBS.
- AVAILABLE ON 6 ON 5.50" AND 8 ON 6.50" BOLT PATTERN
- MADE IN THE U.S.A.
- FIVE-YEAR OR 100,000 MILES LIMITED WARRANTY
- ISO 9001:2015 CERTIFIED PRODUCTION ENVIRONMENT



42MM SPECIFICATIONS

- D52 and D60 leaf spring axle (straight spindle only)
- #11 Torflex® axles
- Up to 6,000 lbs. capacity
- 6 on 5.50" bolt pattern
- 12" x 2" hub brake sizes
- Disc brake
- Use only zero offset wheels

50MM SPECIFICATIONS

- D70, D72, and D80 leaf spring axles (straight spindle only)
- #12, #12V, and #13 Torflex® axles
- Up to 8,000 lbs. capacity
- 8 on 6.50" bolt pattern
- 12" x 2", 12-1/4" x 3-3/8", and 12-1/4" x 2-1/2" hub brake sizes
- Disc brake
- Can be used with zero to 1/2" inset wheel at 7,000 lbs. capacity
- Zero offset or 0.19" inset wheel only at 8,000 lbs. capacity

Nev-R-Lube® is subject to the maintenance and inspection procedures as outlined in the Dexter Operation Maintenance Service Manual.



TORFLEX®

RUBBER TORSION SUSPENSION AXLES

- **INDEPENDENT RUBBER SUSPENSION**
- **DEXTER GENUINE BRAKES AND HUB-DRUMS**
- **HEAT-TREATED SOLID STEEL INNER BAR**
- **PRODUCT CAPACITY RANGING FROM 600 LBS. TO 12,000 LBS.**
- **TEN-YEAR LIMITED WARRANTY**

WHAT IS TORFLEX®?

Dexter's TORFLEX is a torsion arm type suspension which is completely self-contained within the axle tube. It attaches directly to the trailer frame using brackets which are an integral part of the axle assembly. The TORFLEX axle provides improved suspension characteristics relative to leaf spring axles through the unique arrangement of a steel torsion bar surrounded by four rubber cords encased in the main structural member of the axle beam.

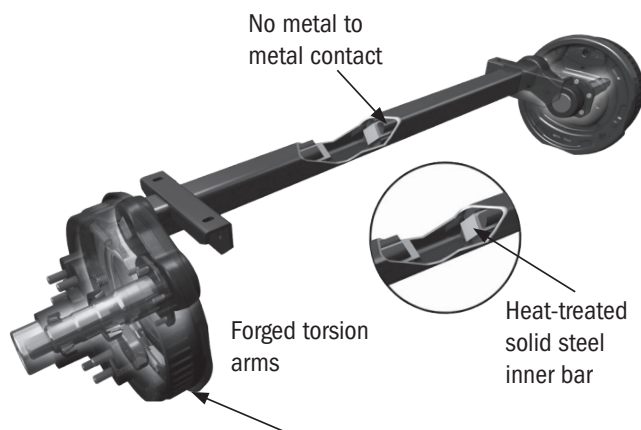
SMOOTH, QUIET AND INDEPENDENT RIDE

TORFLEX SPECIFICATIONS

- 600-12,000 lbs. capacity, manufactured to the customer's exact requirements
- Standard grease, E-Z Lube®, Nev-R-Lube®, and Oil (lubrication dependent on capacity)
- Start angles available: 45° down, 32° down, 22.5° down, 10° down, 0°, 10° up, and 22.5° up
- Extreme duty suspension option
- Removable spindle option
- High and low profile brackets with optional mounting brackets available
- Running gear solutions for single, tandem, and triple (with specified triple axle designation)
- Shock absorption provided by the natural hysteresis of rubber

TORFLEX FEATURES

- Rubber cushioning eliminates metal-to-metal contact and road shock, providing a smooth, quiet and independent ride.
- Heat-treated solid steel inner bar with forged torsion arm provides maximum strength
- Precision machined steel spindle and integral cast iron hub-drums
- Axle can be used as a load carrying cross member
- Durable, wear-resistant components
- Easy installation with less overall maintenance
- CSA certification on many brake models
- ISO 9001:2015 Certified Production Environment



EASY TO MAINTAIN

Except for periodic inspection of the fasteners used to attach the TORFLEX axle to the vehicle frame, no other suspension maintenance is required on TORFLEX axles. TORFLEX axles are subject to the maintenance and inspection procedures regarding brakes, hubs, bearings, seals, wheels, and tires as outlined in Dexter's current Operation Maintenance Service Manual (available at www.dexteraxle.com).



LEAF SPRING

SUSPENSION AXLES

- **DOUBLE EYE OR SLIPPER LEAF SPRING SUSPENSION**
- **DEXTER GENUINE BRAKES AND HUB-DRUMS**
- **DROP OR STRAIGHT SPINDLE DESIGNS**
- **CAPACITY RANGES FROM 2,200 LBS. TO 25,000 LBS.**
- **FIVE-YEAR LIMITED WARRANTY**

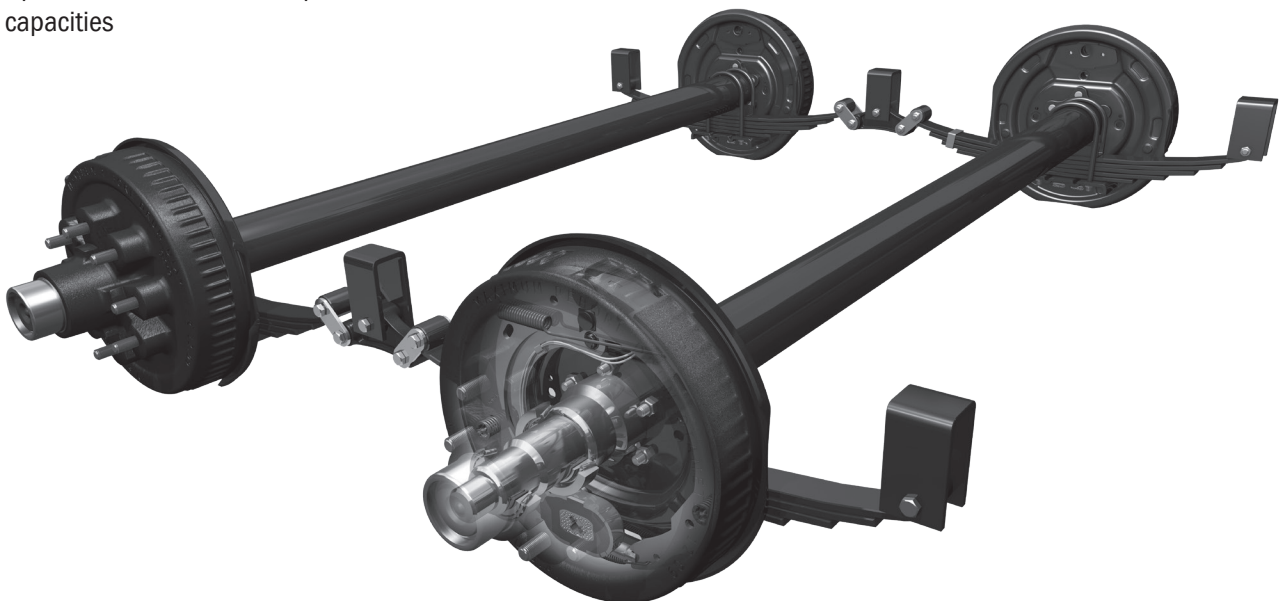
RELIABILITY WHERE IT MATTERS THE MOST

LEAF SPRING SPECIFICATIONS

- 2,200 - 25,000 lbs. capacity, manufactured to the customer's exact requirements
- Standard grease, E-Z Lube®, Nev-R-Lube®, and Oil (lubrication dependent on capacity)
- Drop or straight spindle designs up to 8,000 lbs.
- Heavy duty attaching parts kits
- Bronze or rubber bushing on certain capacities and springs.
- Running gear solutions for multiple applications
- Optional hanger and attaching parts kits available
- Optional stainless steel wear sleeves for grease seal journal on certain capacities
- Available in drop center V-bend axle beam on certain capacities
- Heavy Duty suspension parts available
- Optional rubber bushed suspension on certain capacities

LEAF SPRING FEATURES

- High quality alloy steel springs in a variety of capacities
- Dexter Genuine brakes and hub-drums
- Custom built to your specifications
- Equalized suspension for multi-axle applications
- Precision machined steel spindle and integral cast iron hub-drums
- Brake wiring routed inside axle tube for protection
- CSA certification on many brake models
- Durable, wear-resistant components
- ISO 9001:2015 Certified Production Environment

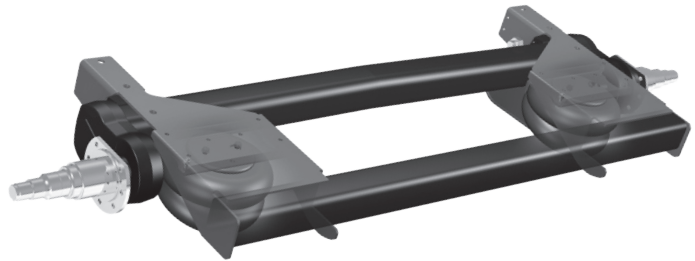




AIRFLEX®

AIR RIDE SUSPENSION

- **OVERALL SMOOTHEST RIDE**
- **FULLY ASSEMBLED FOR EASY INSTALLATION**
- **MAINTAINS CONSTANT RIDE HEIGHT**
- **TORFLEX® SUSPENSION SYSTEM UTILIZED WHEN AIR IS NOT AVAILABLE**
- **PATENTED DESIGN**
- **TWO-YEAR LIMITED WARRANTY**
- **ISO 9001:2015 CERTIFIED PRODUCTION ENVIRONMENT**

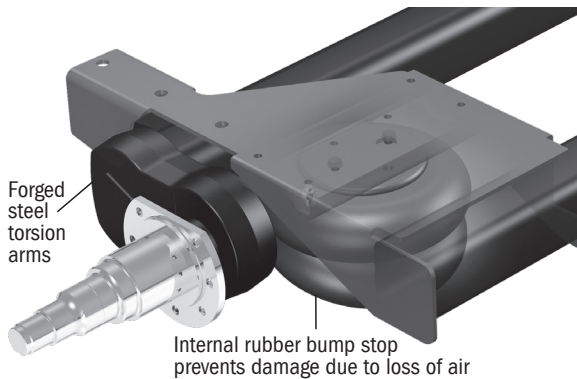


DESIGNED TO TAKE ON THE ROUGHEST OF ROADS ENSURING YOUR CARGO WILL HAVE THE SMOOTHEST OF RIDES

WHAT IS AIRFLEX?

Airflex Air Ride Suspension utilizes a Torflex beam as the foundation. This allows the suspension to maintain tire alignment and rigidity without significant chassis modification. A special mounting structure provides axle alignment post installation, while housing the airbags.

PROTECT YOUR CARGO WITH AIRFLEX



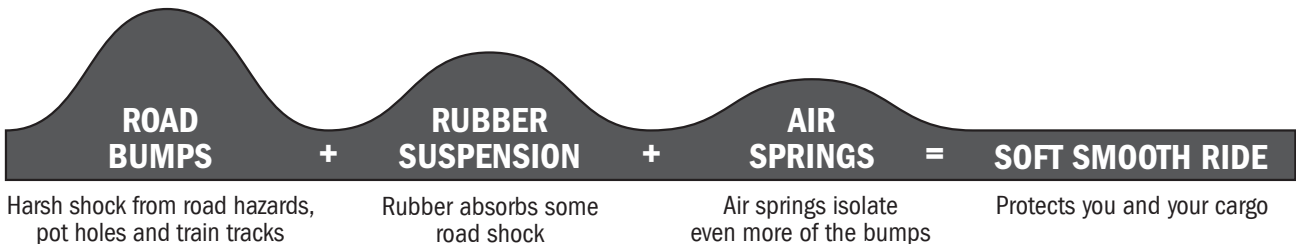
Airflex Air Ride Suspension is delivered as a complete assembly ready to be mounted to the chassis. Available are Dexter Air Control unit (with or without compressor) and supply lines to complete a simple install.

AIRFLEX PROVIDES A SMOOTHER RIDE

- The hybrid design of the Airflex Air Ride Suspension and TORFLEX Suspension absorbs and reacts progressively based on shock.
- The air supply is interconnected between each wheel end, allowing equalization or load sharing between air bags.
- Suspension system is also a load carrying cross member that minimizes input by dispersing the load over a wide area.

AIRFLEX® SPECIFICATIONS

- Bearing lubrication options: standard grease, E-Z Lube®, Nev-R-Lube™, or Oil (7,000 lbs. and above)
- 6,000-10,000 lbs. capacity, manufactured to the customer's exact requirements
- Ride heights available: 45° down, 32° down, 22.5° down, 10° down, 0°, 10° up, and 22.5° up



Torflex® Application Information



600 - 1100 LBS. CAPACITY

600-1100 CAPACITY

- Ideal application for light utility, for hauling personal watercraft and motorcycles
- Digital service manual available at www.dexteraxle.com
- Heavy duty 1 1/16" spindle design
- Precision machined steel spindles and integral cast iron hub/drums
- Short version spindle for trailers with extremely short overhangs
- 7" x 1 1/4" electric and 7" x 1 3/4" hydraulic brakes
- Electric brakes are available with and without parking feature
- Standard grease lubrication; E-Z Lube® option
- Lower cost



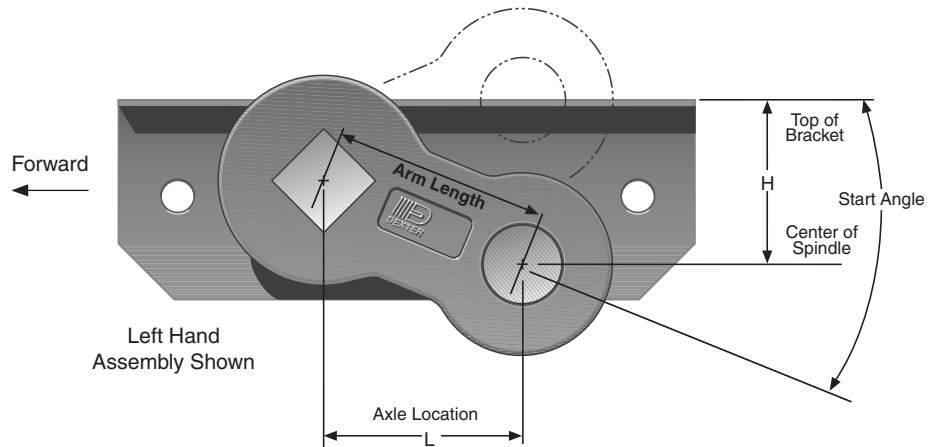
CAUTION: Triple axle assemblies are NOT recommended for #8 Torflex® axles.

See page 7 for an overview of Torflex®



ARTICULATION DIMENSIONS

Dimensions are for low profile, top mount only. Side mount is .18" higher. Allow 3" bump clearance from full load.



Start Angle	Bracket Profile	No Load		Full Load		Shock Load	
		H	L	H	L	H	L
45° Down	Low	3.84	2.83	2.54	3.70	1.79	3.92
32° Down	Low	3.13	3.39	1.67	3.95	0.89	4.00
22.5° Down	Low	2.54	3.70	1.01	4.00	0.23	3.92
10° Down	Low	1.70	3.94	0.14	3.91	-0.60	3.66
0°	Low	1.01	4.00	-0.52	3.70	-1.21	3.33
10° Up	Low	0.32	3.94	-1.14	3.37	-1.76	2.89
22.5° Up	Low	-0.52	3.70	-1.82	2.83	-2.32	2.22

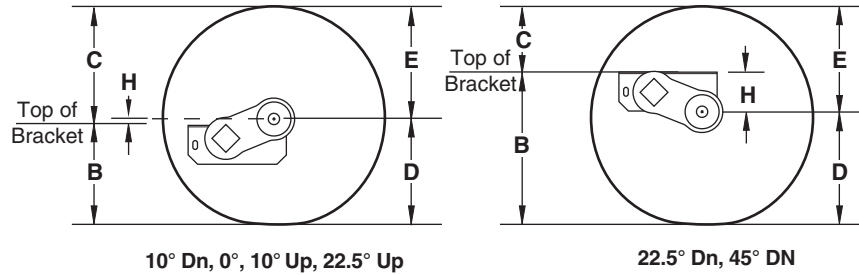
Note: Positive numbers in the H column indicate the spindle is BELOW the top of the bracket. Conversely, negative numbers are ABOVE the top of the bracket.

H = Height L = Length



FULL LOAD DIMENSIONS

Dimensions are for low profile, top mount only. Side mount is .18" higher. Allow 3" bump clearance from full load.

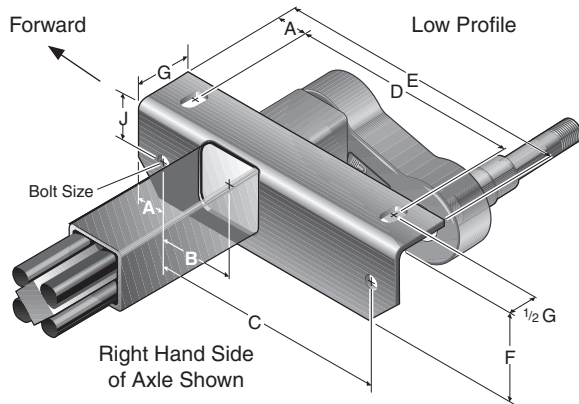


**600 - 1100 LBS.
CAPACITY**

Tire	Start Angle												
	45° Down					32° Down					22.5° Down		
	D	E	H	B	C	D	E	H	B	C	H	B	C
ST175/80R13	11.2	12.0	2.5	13.7	9.5	11.2	12.0	1.7	12.9	10.3	1.0	12.2	11.0
4.80-8	7.9	8.8	2.5	10.4	6.3	7.9	8.8	1.7	9.6	7.1	1.0	8.9	7.8
4.80-12	9.5	10.8	2.5	12.0	8.3	9.5	10.8	1.7	11.2	9.1	1.0	10.5	9.8
20.5 x 8.0-10	9.7	10.8	2.5	12.2	8.3	9.7	10.8	1.7	11.4	9.1	1.0	10.7	9.8

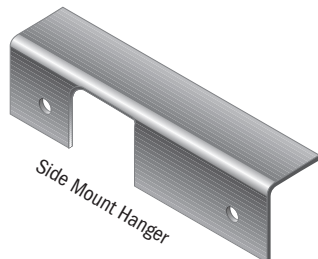
Columns D and E are dimensional examples only:
 D – Static Loaded Radius
 E – Inflated Radius

Tire	10° Down			0°			10° Up			22.5° Up		
	H	B	C	H	B	C	B	C	H	B	C	
ST175/80R13	0.1	11.3	11.9	-0.5	10.7	12.5	-1.1	10.1	13.1	-1.8	9.4	13.8
4.80-8	0.1	8.0	8.7	-0.5	7.4	9.3	-1.1	6.8	9.9	-1.8	6.1	10.6
4.80-12	0.1	9.6	10.7	-0.5	9.0	11.3	-1.1	8.4	11.9	-1.8	7.7	12.6
20.5 x 8.0-10	0.1	9.8	10.7	-0.5	9.2	11.3	-1.1	8.6	11.9	-1.8	7.9	12.6



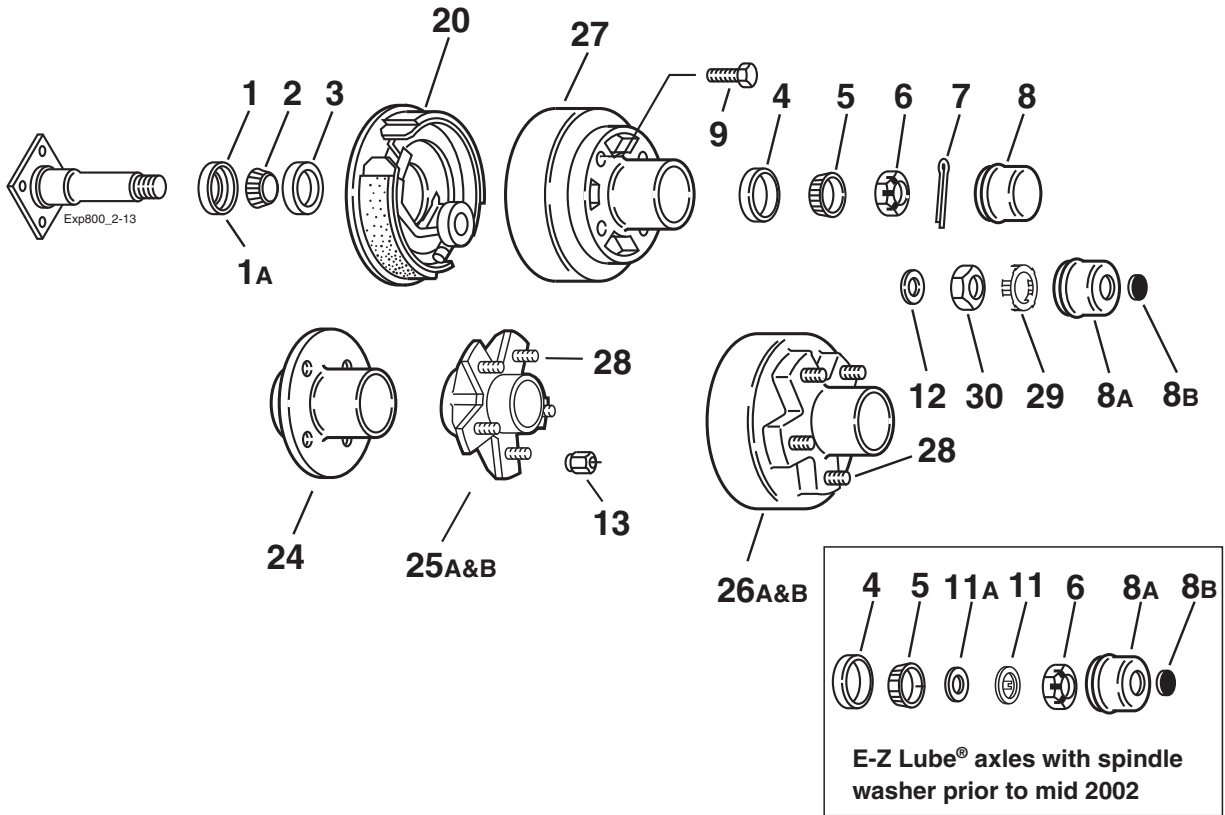
#8 Bracket Dimensions	
	Low
A	1.00
B	2.38
C	8.00
D	7.75
E	10.00
F	2.88
G	2.00
J	1.57
Bolt Size	1/2" bolt
Tube Size	1.75

#8 Overhang Overall		
Spindle	Min.	Max.
Short	9.50"	18.08"
Standard	12.00"	18.08"



See page 7 for an overview of Torflex®

440 and 545 Hub Group



600 - 1100 LBS. CAPACITY

Grease Lube Parts

Item	Part No.	Description
1	010-009-00	Grease Seal
1A	010-060-00	Grease Seal for E-Z Lube®
2	031-031-02	L44649 Inner Bearing Cone
3	031-031-01	L44610 Inner Bearing Cup
4	031-031-01	L44610 Outer Bearing Cup
5	031-031-02	L44649 Outer Bearing Cone
6	006-176-00	Spindle Nut
7	019-002-00	Cotter Pin (not used with E-Z Lube®)
8	021-003-00	Grease Cap
8A	021-041-01	Grease Cap for E-Z Lube®
8B	085-001-00	Rubber Plug for E-Z Lube®
9	007-040-00	Wheel Bolt
11	005-101-00	Tang Washer for E-Z Lube® (before 2002)
11A	005-151-00	Spindle Washer for E-Z Lube® (before 2002)
12	005-023-00	Spindle Washer for E-Z Lube® (after 2002)
29	006-190-00	Spindle Nut Retainer for E-Z Lube® (after 2002)
30	006-191-00	Special Jam Nut for E-Z Lube® (after 2002)

Brakes

Item	Part No.	Description
20	K23-047-00/K23-048-00	LH/RH 7"x1¼" Electric
ns	K23-103-00/K23-104-00	LH/RH 7"x1¼" Electric w/park
ns	K23-398-00/K23-399-00	LH/RH 7"x1¼" Hydraulic Uni-servo

ns - not shown

Note: Spindle is not available for resale.

Hubs

Item	Part No.	Description	Bolt Circle
Hubs and Drums			
ns	008-173-16	½" Studs, elec. brakes ONLY	4 on 4.00
ns	008-276-05	½" Studs, hyd. brakes ONLY	4 on 4.00
26A	008-257-05	½" Studs, elec. brakes ONLY	5 on 4.50
26B	008-271-07	½" Studs, hyd. brakes ONLY	5 on 4.50
27	008-173-15	½" Tapped, elec. brakes ONLY	4 on 4.00
ns	008-257-04	½" Tapped, elec. brakes ONLY	5 on 4.50
ns	008-271-04	½" Tapped, hyd. brakes ONLY	5 on 4.50
Plain Hubs			
ns	008-091-05	½" Studs	4 on 4.00
24	008-091-04	½" Tapped	4 on 4.00
25A	008-259-05	½" Studs, 8"-12" wheels ONLY	5 on 4.50
25B	008-258-05	½" Studs, 13"-15" wheels ONLY	5 on 4.50
ns	008-259-04	½" Tapped, 8"-12" wheels ONLY	5 on 4.50
ns	008-258-04	½" Tapped, 13"-15" wheels ONLY	5 on 4.50

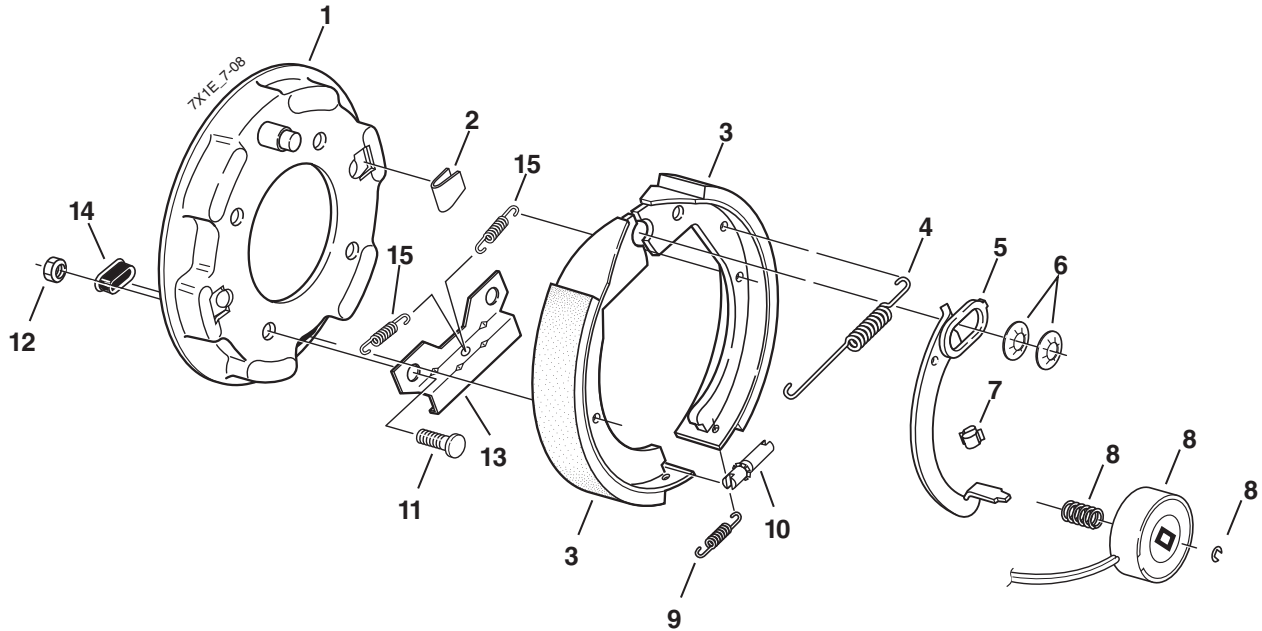
Studs & Wheel Nuts

Item	Part No.	Description
9	007-040-00	½-20 Wheel Bolt
13	006-080-00	½-20 60° Cone Nut
28	007-246-00	½-20 Press-in Stud

7" x 1-1/4" 2,200 lbs. Electric Brake



Torflex® CSA approved at 2000 lbs. / 11.3 SLR; 2200 lbs. / 10.2 SLR
 Sprung CSA approved at 2000 lbs. / 12.8 SLR; 2200 lbs. / 10.2 SLR



**600 - 1100 LBS.
CAPACITY**

Electric Brake

Item	Part No.	Qty/Brk	Description
0	K23-047-00	1	LH Complete Brake Assembly (shown)
0	K23-048-00	1	RH Complete Brake Assembly
1	036-036-04	1	Backing Plate Assembly (includes items 11, 13)
2	046-023-00	2	Shoe Hold Down Clip
3	K71-045-00	1	Shoe & Lining Kit Contains: 1 040-125-00 Primary Shoe & Lining 2 040-049-00 Secondary Shoe & Lining
4	046-024-00	1	Retractor spring
5	047-114-04	1	LH Actuating Lever Arm
5	047-115-04	1	RH Actuating Lever Arm
6	046-030-00	2	Anchor Post Clip
7	027-005-00	1	Wire Clip
For brakes manufactured after 04/90			
8	K71-057-00	1	Magnet Kit Contains: 1 042-134-00 Magnet 1 046-121-00 Magnet Clip 1 046-086-00 Magnet Spring
9	046-022-00	1	Adjusting Screw Spring
10	043-021-00	1	Adjusting Screw
11	007-041-00	4	Brake Mounting Bolt - Press-in
*12	006-017-01	4	Brake Mounting Nut
13	064-001-00	1	Stabilizer Bracket
14	046-007-00	1	Adjuster Slot Plug
For brakes manufactured after 08/91			
15	046-114-00	2	Shoe Centering Spring

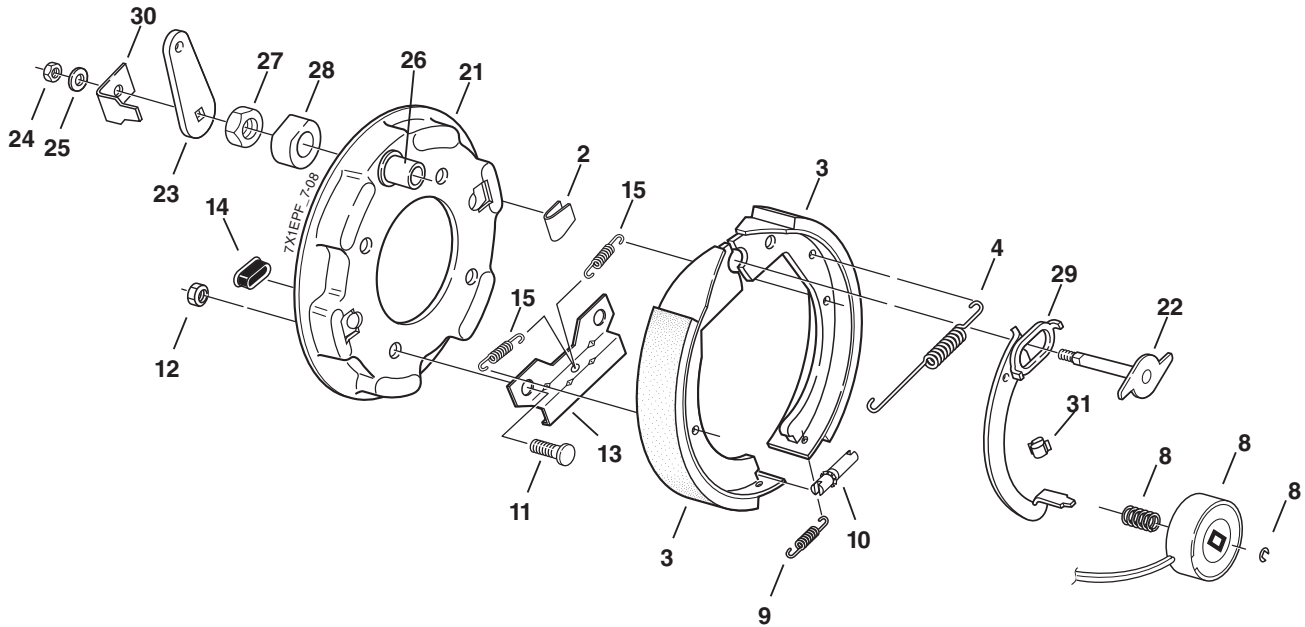
* Not included with complete brake assembly. Item sold separately.

**This brake is rated to a maximum capacity of
2200 lbs. / pair**

7" x 1-1/4" 2,200 lbs. Electric Brake With Parking Feature



CSA approved at 2000 lbs. / 11.3 SLR; 2200 lbs. / 10.2 SLR



**600 - 1100 LBS.
CAPACITY**

Electric Parking Brake			
Item	Part No.	Qty/Brk	Description
0	K23-103-00	1	LH Complete Brake Assembly (shown)
0	K23-104-00	1	RH Complete Brake Assembly
2	046-023-00	2	Shoe Hold Down Clip
3	K71-045-00	1	Shoe & Lining Kit Contains: 1 040-125-00 Primary Shoe & Lining 2 040-049-00 Secondary Shoe & Lining
4	046-024-00	1	Retractor spring
For brakes manufactured after 4/1/90			
8	K71-057-00	1	Magnet Kit Contains: 1 042-134-00 Magnet 1 046-121-00 Magnet Clip 1 046-086-00 Magnet Spring
9	046-022-00	1	Adjusting Screw Spring
10	043-021-00	1	Adjusting Screw
11	007-041-00	4	Brake Mounting Bolt - Press-in
*12	006-017-01	4	Brake Mounting Nut
13	064-001-00	1	Stabilizer Bracket
14	046-007-00	1	Adjuster Slot Plug
For brakes manufactured after 8/1/91			
15	046-114-00	2	Shoe Centering Spring

* Not included with complete brake assembly. Item sold separately.

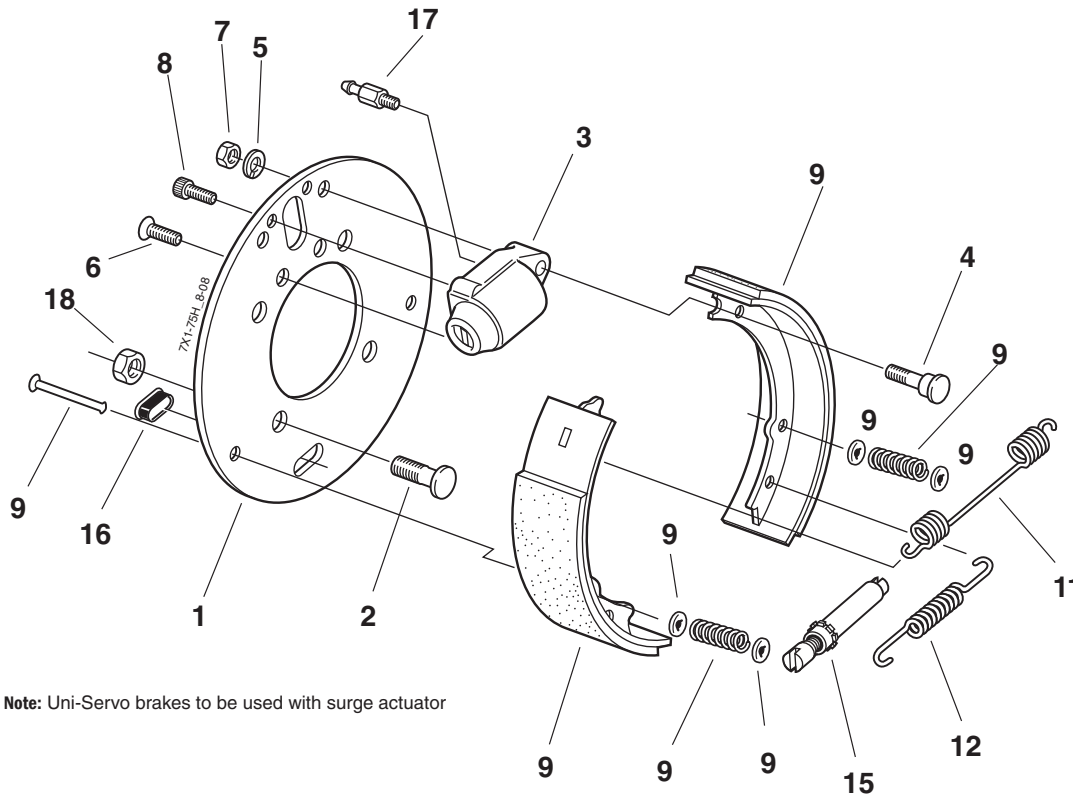
Electric Parking Brake			
Item	Part No.	Qty/Brk	Description
21	036-036-07	1	LH Backing Plate & Lever Arm (includes items 22-30, 2, 11, 13)
21	036-036-08	1	RH Backing Plate & Lever Arm (includes items 22-30, 2, 11, 13)
22	039-041-00	1	LH Pivot Pin & Cam Sub-Assembly
22	039-042-00	1	RH Pivot Pin & Cam Sub-Assembly
23	047-079-00	1	Lever
24	006-075-00	1	Self Locking Nut
25	005-056-00	1	Washer
26	038-057-00	1	Anchor Pin
27	006-074-00	1	Self Locking Nut
28	071-031-00	1	Spacer
29	047-114-02	1	LH Lever Arm & Cam Assembly
29	047-115-02	1	RH Lever Arm & Cam Assembly
30	071-033-00	1	Lever Stop
31	027-005-00	1	Wire Clip

**This brake is rated to a maximum capacity of
2200 lbs. / pair**

7" x 1-3/4" 2,500 lbs. Hydraulic Brake



CSA approved at 2500 lbs. / 11.2 SLR



Note: Uni-Servo brakes to be used with surge actuator

**600 - 1100 LBS.
CAPACITY**

Hydraulic Brake			
Item	Part No.	Qty/Brk	Description
0	K23-398-00	1	LH Complete Brake Assembly (shown)
0	K23-399-00	1	RH Complete Brake Assembly
1	036-038-00	1	Backing Plate
2	007-041-00	4	Brake Mounting Bolt - Press-in
3	054-080-03	1	Wheel Cylinder Assembly - LH (includes item 17)
3	054-080-04	1	Wheel Cylinder Assembly - RH (includes item 17)
4	038-072-00	1	Anchor Post
5	005-004-00	1	Lock Washer
6	007-235-00	1	Counter Sunk Cap Screw
7	006-010-00	1	Hex Nut
8	007-234-00	1	Socket Head Cap Screw
9	K71-466-00	1	Shoe & Lining Kit Contains:
			1 040-327-01 Primary Shoe & Lining
			1 040-328-01 Secondary Shoe & Lining
			2 046-006-00 Shoe Hold Down Spring
			4 035-001-00 Shoe Hold Down Spring Cup
			2 049-014-00 Shoe Hold Down Pin
11	046-126-00	1	Retractor spring
12	046-127-00	1	Adjusting Screw Spring
15	043-004-00	1	Adjuster Screw Assembly
16	046-007-00	1	Adjuster Slot Plug
17	054-084-00	1	Bleeder Screw 6mm Thread (brakes before 1/97)
17	054-088-00	1	Bleeder Screw 7mm Thread (brakes after 1/97)
*18	006-017-01	4	Brake Mounting Nut

* Not included with complete brake assembly. Item sold separately.

This brake is rated to a maximum capacity of 2500 lbs. / pair

Application Information

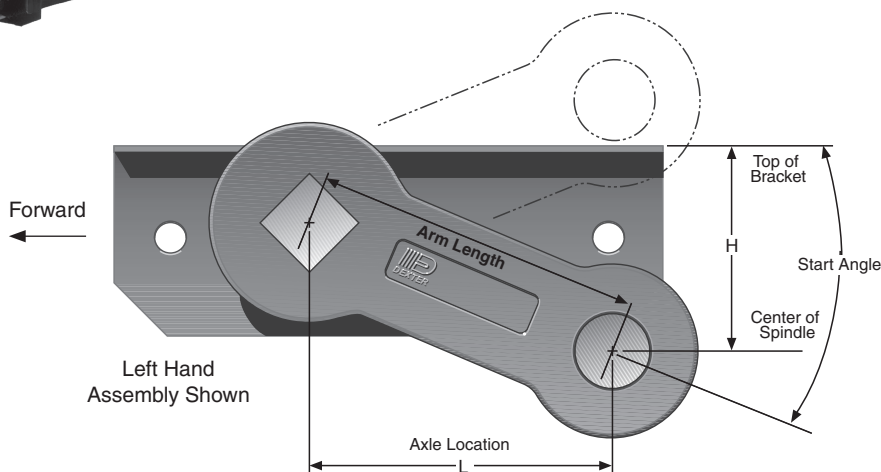
1000-2200 LBS. CAPACITY

- Digital service manual available at www.dexteraxle.com
- Heavy duty 1 1/16" spindle design
- Precision machined steel spindles and integral cast iron hub/drums
- Press-in wheel studs
- CSA approved 7" x 1 1/4" electric and 7" x 1 3/4" hydraulic brakes
- Electric brakes are available with and without parking feature
- Standard grease lubrication; E-Z Lube® option
- Inner wiring system for easier installation and protection of brake wiring
- Optional hot dipped galvanized axle beam
- Optional GAL-DEX® coated cast iron hub

Torflex® Application Information



- Designed for fold-down campers, light utility, boat trailer applications



1000 - 2200 LBS. CAPACITY

Start Angle	Bracket Profile	No Load		Full Load		Shock Load	
		H	L	H	L	H	L
45° Down	Low	5.46	4.24	3.52	5.54	2.39	5.88
	High	6.33	4.24	4.39	5.54	3.26	5.88
32° Down	Low	4.40	5.09	2.21	5.92	1.04	6.00
	High	5.27	5.09	3.08	5.92	1.91	6.00
22.5° Down	Low	3.52	5.54	1.22	6.00	0.05	5.88
	High	4.39	5.54	2.09	6.00	.92	5.88
10° Down	Low	2.26	5.91	-0.08	5.86	-1.20	5.49
	High	3.13	5.91	0.79	5.86	-0.33	5.49
0°	Low	1.22	6.00	-1.08	5.54	-2.11	4.99
	High	2.09	6.00	-0.21	5.54	-1.24	4.99
10° Up	Low	0.18	5.91	-2.00	5.06	-2.93	4.33
	High	1.05	5.91	-1.13	5.06	-2.06	4.33
22.5° Up	Low	-1.08	5.54	-3.02	4.24	-3.77	3.33
	High	-0.21	5.54	-2.15	4.24	-2.90	3.33



ARTICULATION DIMENSIONS

Dimensions are for top mount only. Side mount is .18" higher. Allow 3" bump clearance from full load.

CAUTION: Triple axle assemblies are NOT recommended for #9 Torflex® axles.

H = Height L = Length

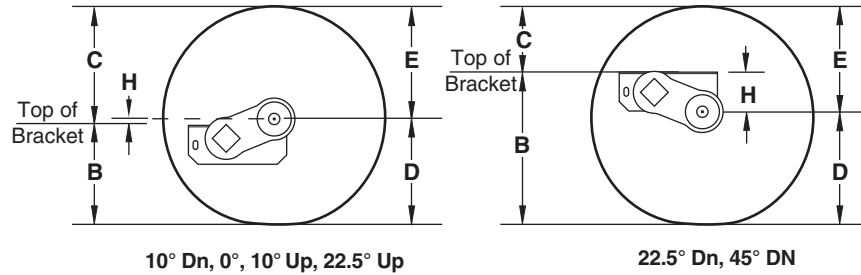
Note: Positive numbers in the H column indicate the spindle is BELOW the top of the bracket. Conversely, negative numbers are ABOVE the top of the bracket.

See page 7 for an overview of Torflex®



FULL LOAD DIMENSIONS

Dimensions are for low profile, top mount only. High profile brackets are .88" higher. Side mount is .18" higher. Allow 3" bump clearance from full load.



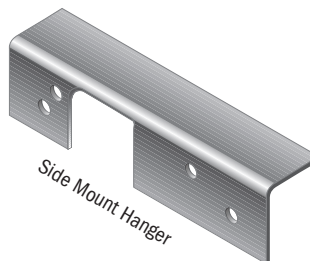
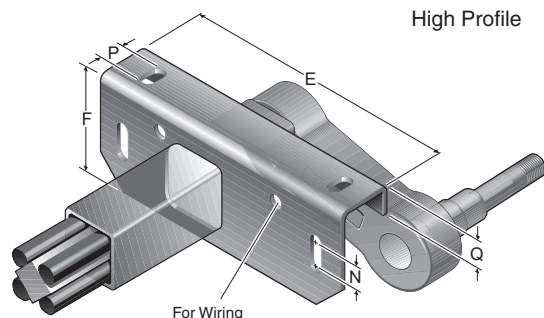
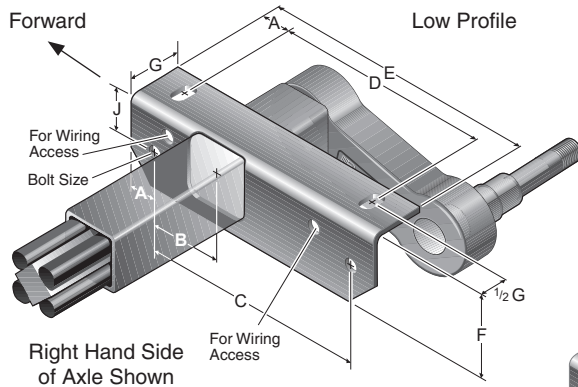
Start Angle

Tire	45° Down					32° Down					22.5° Down		
	D	E	H	B	C	D	E	H	B	C	H	B	C
ST175/80R13	11.2	12.0	3.5	14.7	8.5	11.2	12.0	2.2	13.4	9.8	1.2	12.4	10.8
4.80-8	7.9	8.8	3.5	11.4	5.3	7.9	8.8	2.2	10.1	6.6	1.2	9.1	7.6
4.80-12	9.5	10.8	3.5	13.0	7.3	9.5	10.8	2.2	11.7	8.6	1.2	10.7	9.6
20.5 x 8.0-10	9.7	10.8	3.5	13.2	7.3	9.7	10.8	2.2	11.9	8.6	1.2	10.9	9.6

Columns D and E are dimensional examples only:
 D – Static Loaded Radius
 E – Inflated Radius

Tire	10° Down			0°			10° Up			22.5° Up		
	H	B	C	H	B	C	H	B	C	H	B	C
ST175/80R13	-0.1	11.1	12.1	-1.1	10.1	13.1	-2.0	9.2	14.0	-3.0	8.2	15.0
4.80-8	-0.1	7.8	8.9	-1.1	6.8	9.9	-2.0	5.9	10.8	-3.0	4.9	11.8
4.80-12	-0.1	9.4	10.9	-1.1	8.4	11.9	-2.0	7.5	12.8	-3.0	6.5	13.8
20.5 x 8.0-10	-0.1	9.6	10.9	-1.1	8.6	11.9	-2.0	7.7	12.8	-3.0	6.7	13.8

1000 - 2200 LBS. CAPACITY



#9 Bracket Dimensions		
	Low	High
A	1.00	1.00
B	2.38	2.38
C	8.00	8.00
D	7.75	7.75
E	10.00	10.00
F	2.88	3.75
G	2.00	2.00
J	1.57	1.57
N	----	.86
P	.94	.94
Q	1.00	1.00
Bolt Size	1/2" bolt	
Tube Size	2.17	2.17

#9 Overhang Overall		
Spindle	Min.	Max.
Short	12.00"	21.80"
Standard	12.50"	21.80"

See page 7 for an overview of Torflex®

Leaf Spring Application Information



D20 LEAF SPRING

- Designed for light-capacity trailers
- Designed for travel trailers being towed by smaller automobiles
- High strength 1 3/4" diameter tube for straight axles and 2 3/8" for drops

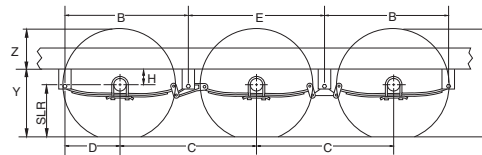
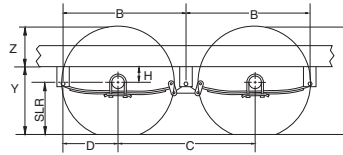
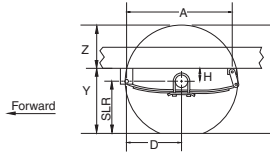


D20 Overhang Overall

	Min.	Max.
Straight	11.50"	15.24"
Drop	15.24"	18.00"

A, B, E – Hanger Spacing
 C – Axle Spacing
 D – Axle Location
 H – Center of Spindle
 Y – Frame Height
 Z – Top of Tire to Bottom of Frame
 SLR – Static Load Radius

To determine these values, contact your account manager or distributor to run ProSpec™.



Double Eye Springs

For Standard 33" Axle Spacing Single A/P-122-00 Tandem A/P-233-00 Triple A/P-335-00

	Spring Length		
	21"	24"	26"
A	19.62	23.50	25.75
B	25.00	27.50	29.50
C	28.75	31.00	33.00
D	10.62	12.00	13.00
E	28.75	31.00	33.00

For Optional 35" Axle Spacing Tandem A/P-264-00 Triple A/P-364-00

	Spring Length		
	21"	24"	26"
B	26.00	28.50	30.50
C	30.80	33.00	35.00
D	10.62	12.00	13.00
E	30.80	33.00	35.00

Double Eye Axle Assemblies

Hanger Kits	Part No.	Description	Height	Quantity Per Kit				
				HGR-104-00 (7,000 lbs. Max)	HGR-105-00 (8,000 lbs. Max)	HGR-248-00 (5,200 lbs. Max)	HGR-249-00 (7,000 lbs. Max)	HGR-348-00 (5,200 lbs. Max)
	028-005-00	Hanger	3.25"	2	---	4	2	4
	028-006-00	Front Hanger	1.44"	---	2	---	---	---
	029-008-00	Front Hanger	2.06"	---	---	---	4	---
	029-031-00	Center Hanger	3.62"	---	---	2	---	4
	030-020-00	Rear Hanger	0.91"	2	2	---	---	---

Attaching Parts Kits	Part No.	Description	Quantity Per Kit							
			A/P-122-00	A/P-233-00	A/P-247-00	A/P-264-00†	A/P-201-00	A/P-335-00	A/P-364-00†	
	006-007-01	Hex Locknut	---	---	---	---	---	14	---	---
	006-092-01	Flange Locknut	6	14	14	14	---	22	22	---
	007-003-01	Bolt Press-In	---	---	---	---	---	14	---	---
	007-126-01	Shackle Bolt	2	6	6	6	---	10	10	---
	013-010-00	Equalizer	---	---	2	---	---	---	---	---
	013-104-02	Equalizer	---	2	---	---	---	2	---	---
	013-105-02	Equalizer	---	---	---	---	---	2	---	---
	013-122-02	Equalizer	---	---	---	2	---	---	2	---
	013-126-02	Equalizer	---	---	---	---	---	---	2	---
	013-010-00	Equalizer	---	---	---	---	2	---	---	---
	018-011-05	Shackle Link	---	4	4	4	8	6	6	---
	018-012-05	Shackle Link, Long	2	---	---	---	---	---	---	---
	018-020-05	Shackle Link Assembly	---	4	4	4	---	6	6	---
	018-021-05	Shackle Link Assembly, Long	2	---	---	---	---	---	---	---

†For 35" axle spacing using 26" springs Note: Common A/P kits are available in marine grade coating

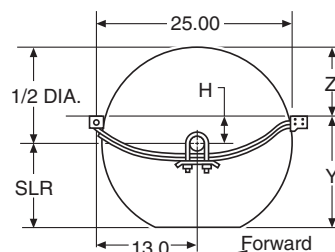
Slipper Spring Axle Assemblies

Hanger Kits			
Part No.	Description	Ht.	HGR-115-00
028-039-00	Front Hanger	3.25"	2
030-037-00	Rear Hanger	1.44"	2

Attaching Parts Kits		
Part No.	Description	A/P-115-00
006-092-01	Locknut	2
007-126-00	Shackle Bolt	2

Some combinations of hangers and spring mountings may result in insufficient bump clearance. Please refer to ProSpec information or additional hanger and A/P kits at the end of the catalog.

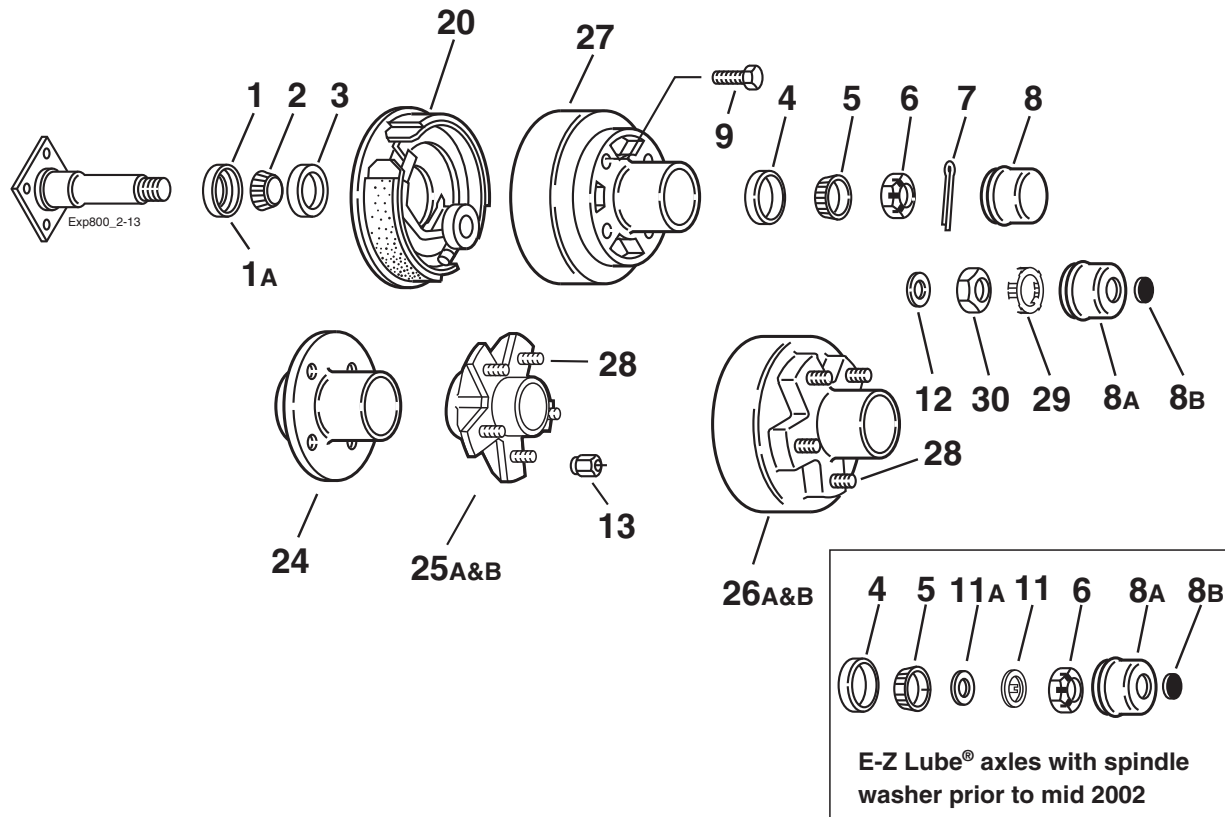
Slipper Springs A/P-115-00



See page 8 for an overview of Leaf Spring Suspension

1000 - 2200 LBS. CAPACITY

440 and 545 Hub Group



**1000 - 2200 LBS.
CAPACITY**

Grease Lube Parts

Item	Part No.	Description
1	010-009-00	Grease Seal
1A	010-060-00	Grease Seal for E-Z Lube®
2	031-031-02	L44649 Inner Bearing Cone
3	031-031-01	L44610 Inner Bearing Cup
4	031-031-01	L44610 Outer Bearing Cup
5	031-031-02	L44649 Outer Bearing Cone
6	006-176-00	Spindle Nut
7	019-002-00	Cotter Pin (not used with E-Z Lube®)
8	021-003-00	Grease Cap
8A	021-041-01	Grease Cap for E-Z Lube®
8B	085-001-00	Rubber Plug for E-Z Lube®
9	007-040-00	Wheel Bolt
11	005-101-00	Tang Washer for E-Z Lube® (before 2002)
11A	005-151-00	Spindle Washer for E-Z Lube® (before 2002)
12	005-023-00	Spindle Washer for E-Z Lube® (after 2002)
29	006-190-00	Spindle Nut Retainer for E-Z Lube® (after 2002)
30	006-191-00	Special Jam Nut for E-Z Lube® (after 2002)

Brakes

Item	Part No.	Description
20	K23-047-00/K23-048-00	LH/RH 7"x1¼" Electric
ns	K23-103-00/K23-104-00	LH/RH 7"x1¼" Electric w/park
ns	K23-398-00/K23-399-00	LH/RH 7"x1¼" Hydraulic Uni-servo

ns - not shown

Note: Spindle is not available for resale.

Hubs

Item	Part No.	Description	Bolt Circle
Hubs and Drums			
ns	008-173-16	½" Studs, elec. brakes ONLY	4 on 4.00
ns	008-276-05	½" Studs, hyd. brakes ONLY	4 on 4.00
26A	008-257-05	½" Studs, elec. brakes ONLY	5 on 4.50
26B	008-271-07	½" Studs, hyd. brakes ONLY	5 on 4.50
27	008-173-15	½" Tapped, elec. brakes ONLY	4 on 4.00
ns	008-257-04	½" Tapped, elec. brakes ONLY	5 on 4.50
ns	008-271-04	½" Tapped, hyd. brakes ONLY	5 on 4.50
Plain Hubs			
ns	008-091-05	½" Studs	4 on 4.00
24	008-091-04	½" Tapped	4 on 4.00
25A	008-259-05	½" Studs, 8"-12" wheels ONLY	5 on 4.50
	008-259-50	½" Studs, 8"-12" wheels ONLY GAL-DEX® coated	5 on 4.50
25B	008-258-05	½" Studs, 13"-15" wheels ONLY	5 on 4.50
	008-258-50	½" Studs, 13"-15" wheels ONLY GAL-DEX® coated	5 on 4.50
ns	008-259-04	½" Tapped, 8"-12" wheels ONLY	5 on 4.50
ns	008-258-04	½" Tapped, 13"-15" wheels ONLY	5 on 4.50

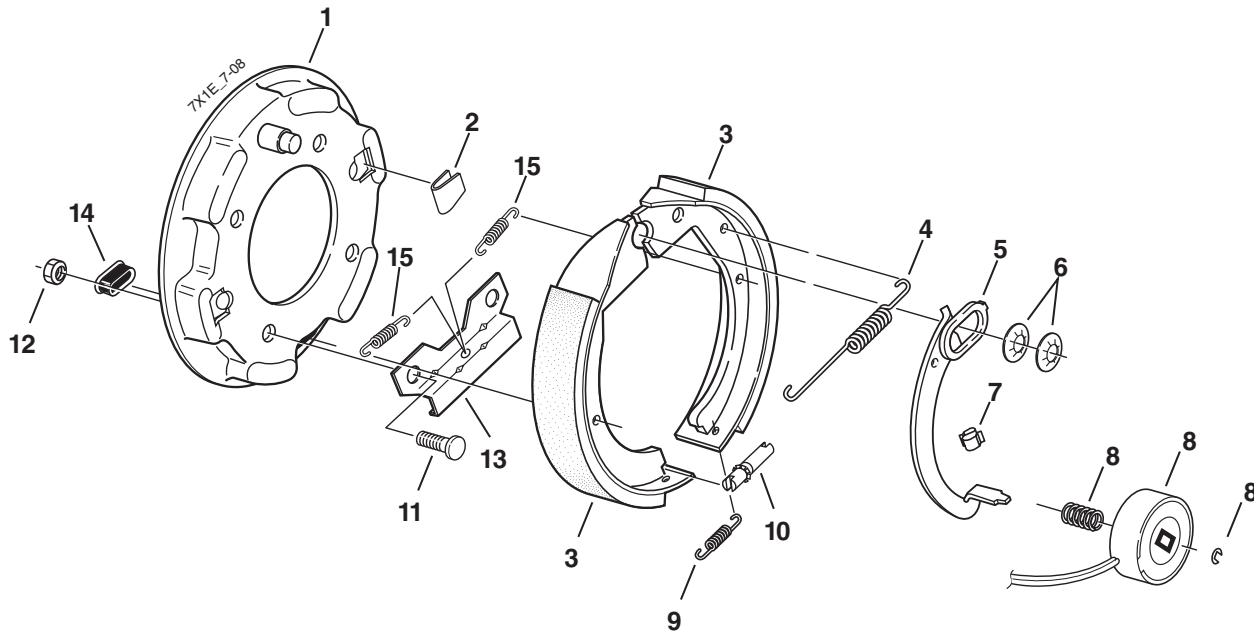
Studs & Wheel Nuts

Item	Part No.	Description
9	007-040-00	½-20 Wheel Bolt
13	006-080-00	½-20 60° Cone Nut
28	007-246-00	½-20 Press-in Stud

7" x 1-1/4" 2,200 lbs. Electric Brake



CSA approved at 2000 lbs. / 11.3 SLR; 2200 lbs. / 10.2 SLR



1000 - 2200 LBS. CAPACITY

Electric Brake 2200 lbs.

Item	Part No.	Qty/Brk	Description
0	K23-047-00	1	LH Complete Brake Assembly (shown)
0	K23-048-00	1	RH Complete Brake Assembly
1	036-036-04	1	Backing Plate Assembly (includes items 11, 13)
2	046-023-00	2	Shoe Hold Down Clip
3	K71-045-00	1	Shoe & Lining Kit Contains: 1 040-125-00 Primary Shoe & Lining 2 040-049-00 Secondary Shoe & Lining
4	046-024-00	1	Retractor spring
5	047-114-03	1	LH Actuating Lever Arm
5	047-115-03	1	RH Actuating Lever Arm
6	046-030-00	2	Anchor Post Clip
7	027-005-00	1	Wire Clip
For brakes manufactured after 4/1/90			
8	K71-057-00	1	Magnet Kit Contains: 1 042-134-00 Magnet 1 046-121-00 Magnet Clip 1 046-086-00 Magnet Spring
9	046-022-00	1	Adjusting Screw Spring
10	043-021-00	1	Adjusting Screw
11	007-041-00	4	Brake Mounting Bolt - Press-in
*12	006-017-01	4	Brake Mounting Nut
13	064-001-00	1	Stabilizer Bracket
14	046-007-00	1	Adjuster Slot Plug
For brakes manufactured after 8/1/91			
15	046-114-00	2	Shoe Centering Spring

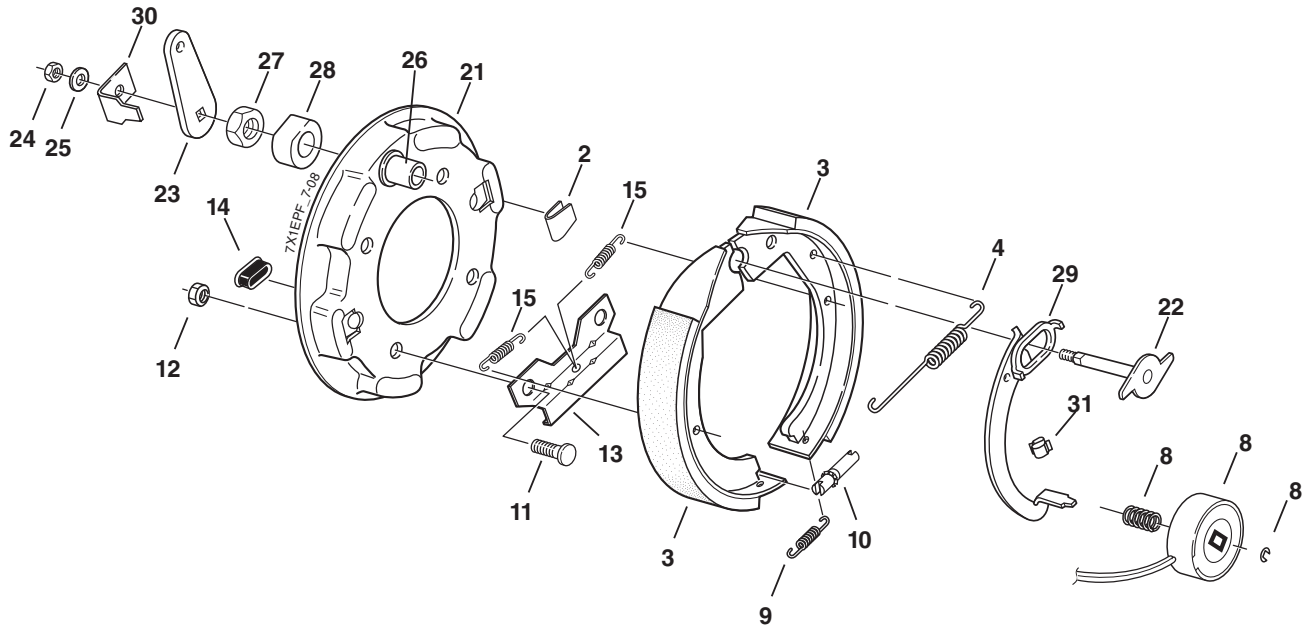
* Not included with complete brake assembly. Item sold separately.

This brake is rated to a maximum capacity of 2200 lbs. / pair

7" x 1-1/4" 2,200 lbs. Electric Brake With Parking Feature



CSA approved at 2000 lbs. / 11.3 SLR; 2200 lbs. / 10.2 SLR



**1000 - 2200 LBS.
CAPACITY**

Electric Parking Brake 2200 lbs.

Item	Part No.	Qty/Brk	Description
0	K23-103-00	1	LH Complete Brake Assembly (shown)
0	K23-104-00	1	RH Complete Brake Assembly
2	046-023-00	2	Shoe Hold Down Clip
3	K71-045-00	1	Shoe & Lining Kit Contains: 1 040-125-00 Primary Shoe & Lining 2 040-049-00 Secondary Shoe & Lining
4	046-024-00	1	Retractor spring
For brakes manufactured after 4/1/90			
8	K71-057-00	1	Magnet Kit Contains: 1 042-134-00 Magnet 1 046-121-00 Magnet Clip 1 046-086-00 Magnet Spring
9	046-022-00	1	Adjusting Screw Spring
10	043-021-00	1	Adjusting Screw
11	007-041-00	4	Brake Mounting Bolt - Press-in
*12	006-017-01	4	Brake Mounting Nut
13	064-001-00	1	Stabilizer Bracket
14	046-007-00	1	Adjuster Slot Plug
For brakes manufactured after 8/1/91			
15	046-114-00	2	Shoe Centering Spring

* Not included with complete brake assembly. Item sold separately.

Electric Parking Brake 2200 lbs.

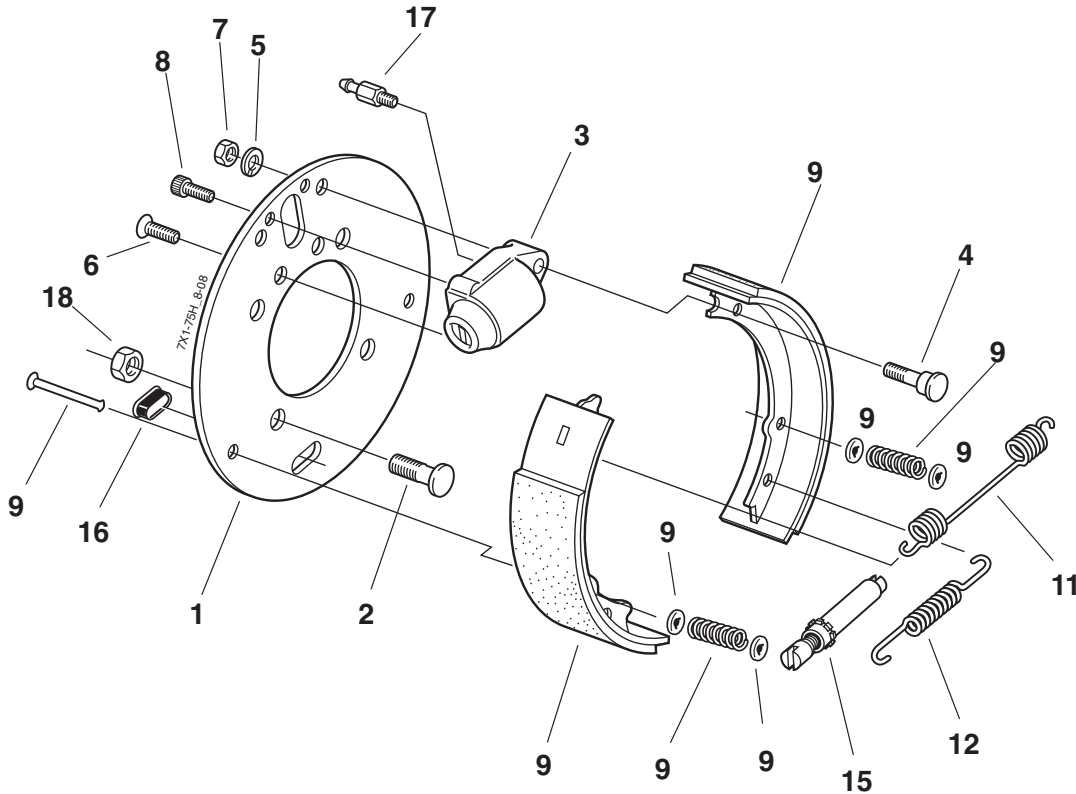
Item	Part No.	Qty/Brk	Description
21	036-036-07	1	LH Backing Plate & Lever Arm (includes items 22-30, 2, 11, 13)
21	036-036-08	1	RH Backing Plate & Lever Arm (includes items 22-30, 2, 11, 13)
22	039-041-00	1	LH Pivot Pin & Cam Sub-Assembly
22	039-042-00	1	RH Pivot Pin & Cam Sub-Assembly
23	047-079-00	1	Lever
24	006-075-00	1	Self Locking Nut
25	005-056-00	1	Washer
26	038-057-00	1	Anchor Pin
27	006-074-00	1	Self Locking Nut
28	071-031-00	1	Spacer
29	047-114-02	1	LH Lever Arm & Cam Assembly
29	047-115-02	1	RH Lever Arm & Cam Assembly
30	071-033-00	1	Lever Stop
31	027-005-00	1	Wire Clip

**This brake is rated to a maximum capacity of
2200 lbs. / pair**

7" x 1-3/4" 2,500 lbs. Hydraulic Brake



CSA approved at 2500 lbs. / 11.2 SLR



1000 - 2200 LBS. CAPACITY

Hydraulic Brake 2500 lbs.

Item	Part No.	Qty/Brk	Description
0	K23-398-00	1	LH Complete Brake Assembly (shown)
0	K23-399-00	1	RH Complete Brake Assembly
1	036-038-00	1	Backing Plate
2	007-041-00	4	Brake Mounting Bolt - Press-in
3	054-080-03	1	Wheel Cylinder Assembly - LH (includes item 17)
3	054-080-04	1	Wheel Cylinder Assembly - RH (includes item 17)
4	038-072-00	1	Anchor Post
5	005-004-00	1	Lock Washer
6	007-235-00	1	Counter Sunk Cap Screw
7	006-010-00	1	Hex Nut
8	007-234-00	1	Socket Head Cap Screw
9	K71-466-00	1	Shoe & Lining Kit Contains:
		1	040-327-01 Primary Shoe & Lining
		1	040-328-01 Secondary Shoe & Lining
		2	046-006-00 Shoe Hold Down Spring
		4	035-001-00 Shoe Hold Down Spring Cup
		2	049-014-00 Shoe Hold Down Pin
11	046-126-00	1	Retractor spring
12	046-127-00	1	Adjusting Screw Spring
15	043-004-00	1	Adjuster Screw Assembly
16	046-007-00	1	Adjuster Slot Plug
17	054-084-00	1	Bleeder Screw 6mm Thread (brakes before 1/97)
17	054-088-00	1	Bleeder Screw 7mm Thread (brakes after 1/97)
*18	006-017-01	4	Brake Mounting Nut

* Not included with complete brake assembly. Item sold separately.

This brake is rated to a maximum capacity of 2500 lbs. / pair

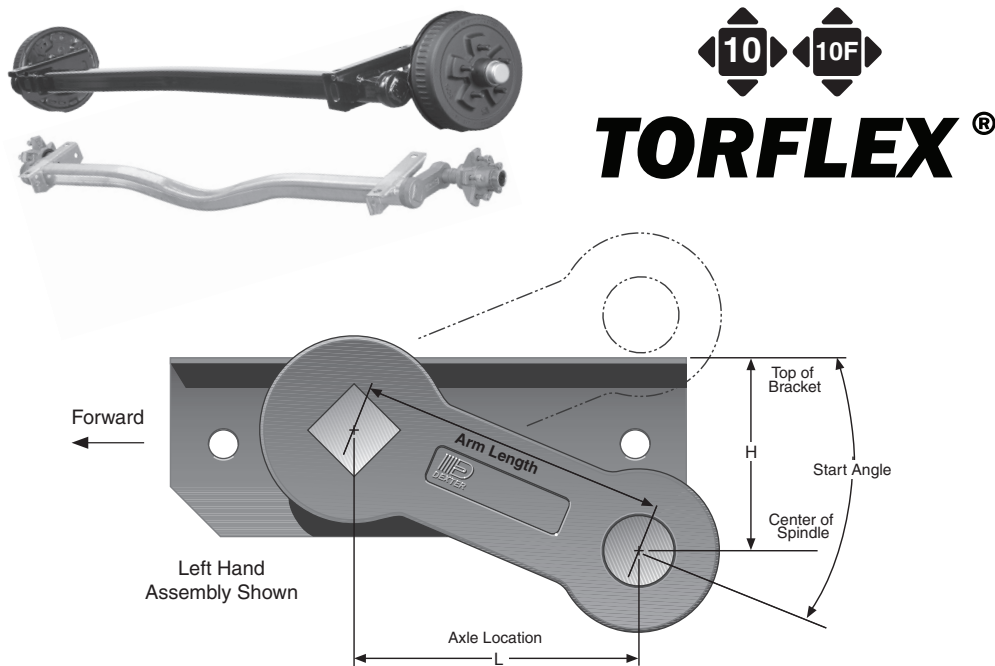
Application Information



2300-4000 LBS. CAPACITY

- Digital service manual available at www.dexteraxle.com
- Precision machined steel spindles and integral cast iron hub/drums
- Standard grease lubrication; E-Z Lube® option
- Press-in wheel studs
- 10" x 1½" and 10" x 2¼" CSA approved electric brakes, CSA approved uni-servo and free backing hydraulic brakes
- Electric and hydraulic brakes are available with and without parking feature
- Hydraulic free backing brakes available
- Hydraulic disc brakes available
- Inner wiring system for easier installation and protection of brake wiring
- Optional hot dipped galvanized axle beam
- Optional GAL-DEX® coated cast iron hub

Torflex® Application Information



		No	Load	Full	Load	Shock	Load
Start Angle	Bracket Profile	H	L	H	L	H	L
45° Down	Low	5.73	4.24	3.79	5.54	2.66	5.88
	High	6.55	4.24	4.61	5.54	3.48	5.88
32° Down	Low	4.67	5.09	2.48	5.92	1.31	6.00
	High	5.49	5.09	3.30	5.92	2.13	6.00
22.5° Down	Low	3.79	5.54	1.49	6.00	0.32	5.88
	High	4.61	5.54	2.31	6.00	1.14	5.88
10° Down	Low	2.53	5.91	0.19	5.86	-0.93	5.49
	High	3.35	5.91	1.01	5.86	-0.11	5.49
0°	Low	1.49	6.00	-0.81	5.54	-1.84	4.99
	High	2.31	6.00	0.01	5.54	-1.02	4.99
10° Up	Low	0.45	5.91	-1.73	5.06	-2.66	4.33
	High	1.27	5.91	-0.91	5.06	-1.84	4.33
22.5° Up	Low	-0.81	5.54	-2.75	4.24	-3.50	3.33
	High	0.01	5.54	-1.93	4.24	-2.68	3.33



ARTICULATION DIMENSIONS

Dimensions are for top mount only. Side mount is .18" higher. Allow 3" bump clearance from full load.

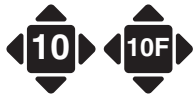
CAUTION: Triple axle assemblies are NOT recommended for #10 and #10F Torflex® axles.

H = Height L = Length

Note: Positive numbers in the H column indicate the spindle is BELOW the top of the bracket. Conversely, negative numbers are ABOVE the top of the bracket.

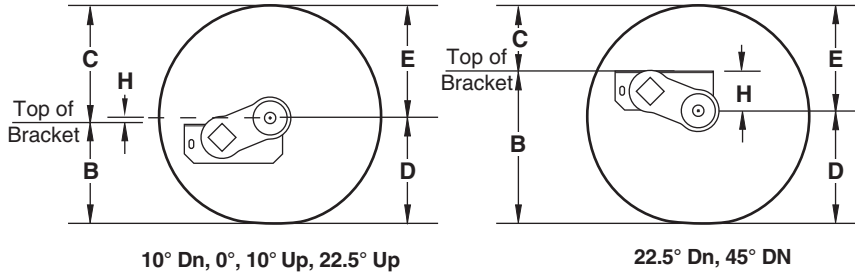
See page 7 for an overview of Torflex®

2300 - 4000 LBS. CAPACITY



FULL LOAD DIMENSIONS

Dimensions are for low profile, top mount only. High profile brackets are .82" higher. Side mount is .18" higher. Allow 3" bump clearance from full load.



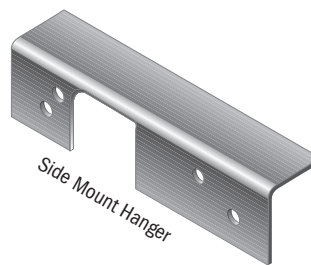
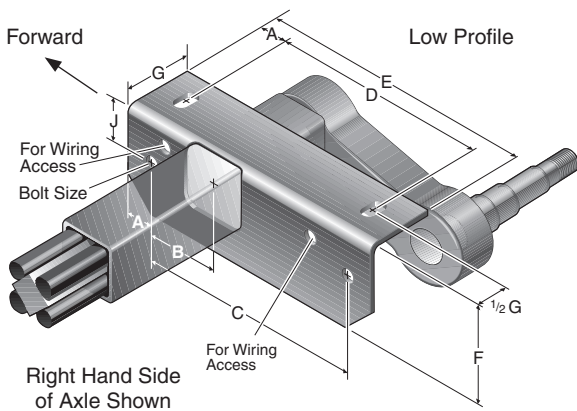
Start Angle

Tire	45° Down					32° Down					22.5° Down		
	D	E	H	B	C	D	E	H	B	C	H	B	C
ST175/80R13	11.2	12.0	3.8	15.0	8.2	11.2	12.0	2.5	13.7	9.5	1.5	12.7	10.5
ST205/75R14	12.1	13.1	3.8	15.9	9.3	12.1	13.1	2.5	14.6	10.6	1.5	13.6	11.6
ST225/75R15	13.0	14.4	3.8	16.8	10.6	13.0	14.4	2.5	15.5	11.9	1.5	14.5	12.9

Columns D and E are dimensional examples only:

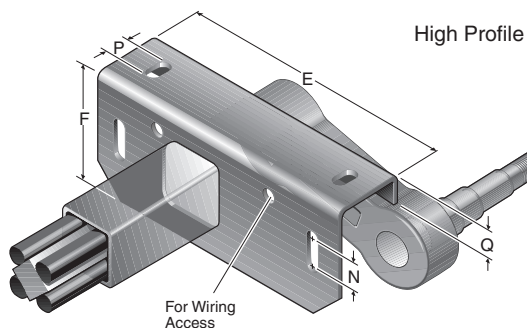
- D – Static Loaded Radius
- E – Inflated Radius

Tire	10° Down			0°			10° Up			22.5° Up		
	H	B	C	H	B	C	H	B	C	H	B	C
ST175/80R13	0.2	11.4	11.8	-0.8	10.4	12.8	-1.7	9.5	13.7	-2.8	8.4	14.8
ST205/75R14	0.2	12.3	12.9	-0.8	11.3	13.9	-1.7	10.4	14.8	-2.8	9.3	15.9
ST225/75R15	0.2	13.2	14.2	-0.8	12.2	15.2	-1.7	11.3	16.1	-2.8	10.2	17.2



#10 Bracket Dimensions

	Low	High
A	1.00	1.00
B	2.50	2.50
C	8.00	8.00
D	8.00	8.00
E	10.00	10.00
F	3.43	4.25
G	2.50	2.50
J	1.62	1.62
N	----	1.03
P	----	1.00
Q	----	1.00
Bolt Size	5/8" bolt	
Tube Size	2.62	2.62



Overhang Overall

Spindle	Min.	Max.	Max. Capacity
#10 Standard w/Drum	12.60"	23.60"	3500
#10 w/Disc - Zinc/Alum.	13.12"	23.60"	3500
#10F w/Drum	12.60"	21.00"	4000

See page 7 for an overview of Torflex®

2300 - 4000 LBS. CAPACITY

Leaf Spring Application Information



D30, D35, D40 LEAF SPRING

- High strength 2³/₈" diameter tube
- High strength 3" diameter tube (D40)



Please See page 8 for an overview of Leaf Spring Suspension

D35 Overhang Overall

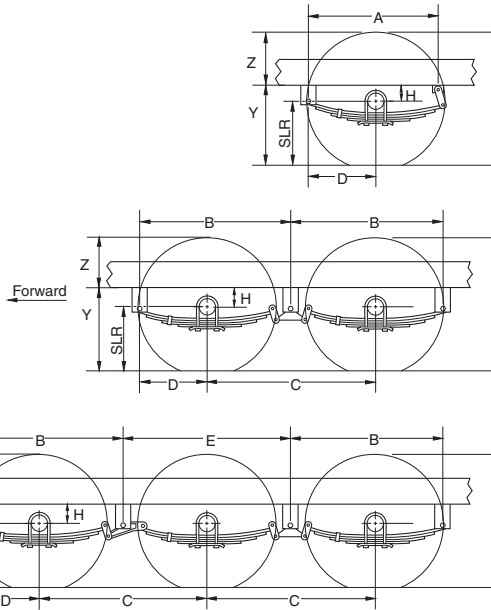
	Min.	Max.
Straight	11.25"	18.00"
Straight - Disc	11.25"	18.00"
4" Drop	14.00"	18.00"
4" Drop - Disc	15.00"	18.00"
6" Drop	15.74"	18.00"
3" Dia. Straight	11.25"	23.00"
3" Dia. Straight - Disc	15.00"	23.00"
3" Dia. Drop	14.00"	23.00"
3" Dia. Drop - Disc	15.00"	23.00"

D30 Overhang Overall

	Min.	Max.
Straight	11.25"	18.00"

D40 Overhang Overall

	Min.	Max.
Straight	12.00"	19.00"



Double Eye Springs

For Standard 33" Axle Spacing Single A/P-122-00 Tandem A/P-233-00 Triple A/P-335-00

	Spring Length		
	21"	24"	26"
A	19.62	23.50	25.75
B	25.00	27.50	29.50
C	28.75	31.00	33.00
D	10.62	12.00	13.00
E	28.75	31.00	33.00

For Optional 35" Axle Spacing Tandem A/P-264-00 Triple A/P-364-00

	Spring Length		
	21"	24"	26"
B	26.00	28.50	30.50
C	30.80	33.00	35.00
D	10.62	12.00	13.00
E	30.80	33.00	35.00

Double Eye Axle Assemblies

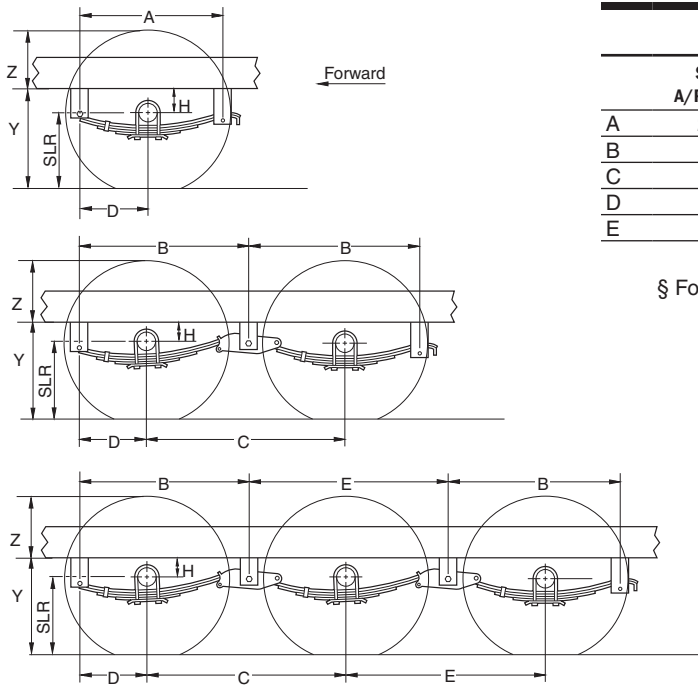
Hanger Kits			Quantity Per Kit				
Part No.	Description	Height	HGR-104-00 (7,000 lbs. Max)	HGR-105-00 (8,000 lbs. Max)	HGR-248-00 (5,200 lbs. Max)	HGR-249-00 (7,000 lbs. Max)	HGR-348-00 (5,200 lbs. Max)
028-005-00	Hanger	3.25"	2	---	4	2	4
028-006-00	Front Hanger	1.44"	---	2	---	---	---
029-008-00	Front Hanger	2.06"	---	---	---	4	---
029-031-00	Center Hanger	3.62"	---	---	2	---	4
030-020-00	Rear Hanger	0.91"	2	2	---	---	---

Attaching Parts Kits		A/P-122-00	A/P-233-00	A/P-247-00	A/P-264-00†	A/P-201-00	A/P-335-00	A/P-364-00†
006-007-01	Hex Locknut	---	---	---	---	14	---	---
006-092-01	Flange Locknut	6	14	14	14	---	22	22
007-003-01	Bolt Press-In	---	---	---	---	14	---	---
007-126-01	Shackle Bolt	2	6	6	6	---	10	10
013-010-00	Equalizer	---	---	2	---	---	---	---
013-104-02	Equalizer	---	2	---	---	---	2	---
013-105-02	Equalizer	---	---	---	---	---	2	---
013-122-02	Equalizer	---	---	---	2	---	---	2
013-126-02	Equalizer	---	---	---	---	---	---	2
013-010-00	Equalizer	---	---	---	---	2	---	---
018-011-05	Shackle Link	---	4	4	4	8	6	6
018-012-05	Shackle Link, Long	2	---	---	---	---	---	---
018-020-05	Shackle Link Assembly	---	4	4	4	---	6	6
018-021-05	Shackle Link Assembly, Long	2	---	---	---	---	---	---

†For 35" axle spacing using 26" springs Note: Common A/P kits are available in marine grade coating

**2300 - 4000 LBS.
CAPACITY**

Leaf Spring Application Information



Slipper Springs

	Single	Tandem		Triple	
	A/P-103-00	A/P-202-00 [§]	A/P-216-00 [‡]	A/P-302-00 [§]	A/P-316-00 [‡]
A	24.0	----	----	----	----
B	----	28.8	30.4	28.8	30.4
C	----	33.5	36.0	33.5	36.0
D	11.5	11.5	11.5	11.5	11.5
E	----	----	----	33.0	35.0

Note: All 2" wide slipper springs
[§] For 33.5" axle spacing [‡] For 36" axle spacing

A, B, E – Hanger Spacing
 C – Axle Spacing
 D – Axle Location
 H – Center of Spindle
 Y – Frame Height
 Z – Top of Tire to Bottom of Frame
 SLR – Static Load Radius

To determine these values, contact your account manager or distributor to run ProSpec™.

Slipper Spring Axle Assemblies

Hanger Kits			Quantity Per Kit				
Part No.	Description	Height	HGR-110-00 (5,200 lbs. Max)	HGR-202-00 (5,200 lbs. Max)	HGR-302-00 (5,200 lbs. Max)		
028-001-00	Front Hanger	4.25"	2	2	2		
029-001-00	Center Hanger	3.50"	----	2	4		
030-028-00	Rear Hanger	4.00"	2	2	2		
Attaching Parts Kits			A/P-103-00	A/P-202-00 [§]	A/P-216-00 [‡]	A/P-302-00 [§]	A/P-316-00 [‡]
006-007-01	3/16-18 Locknut		2	4	4	6	6
006-011-00	Keeper Nut		2	4	4	6	6
006-111-00	Equalizer Nut		----	2	2	4	4
007-001-01	Equalizer Bolt		----	2	2	4	4
007-007-00	Keeper Bolt		2	4	4	6	6
007-017-00	Spring Eye Bolt		2	4	4	6	6
013-004-00	Equalizer		----	2	----	4	----
013-044-01	Equalizer		----	----	2	----	4

[§] For 33.5" axle spacing

[‡] For 36" axle spacing

Note: Common A/P kits are available in marine grade coating.

Some combinations of hangers and spring mountings may result in insufficient bump clearance. Please refer to ProSpec information or additional hanger and A/P kits at the end of the catalog.

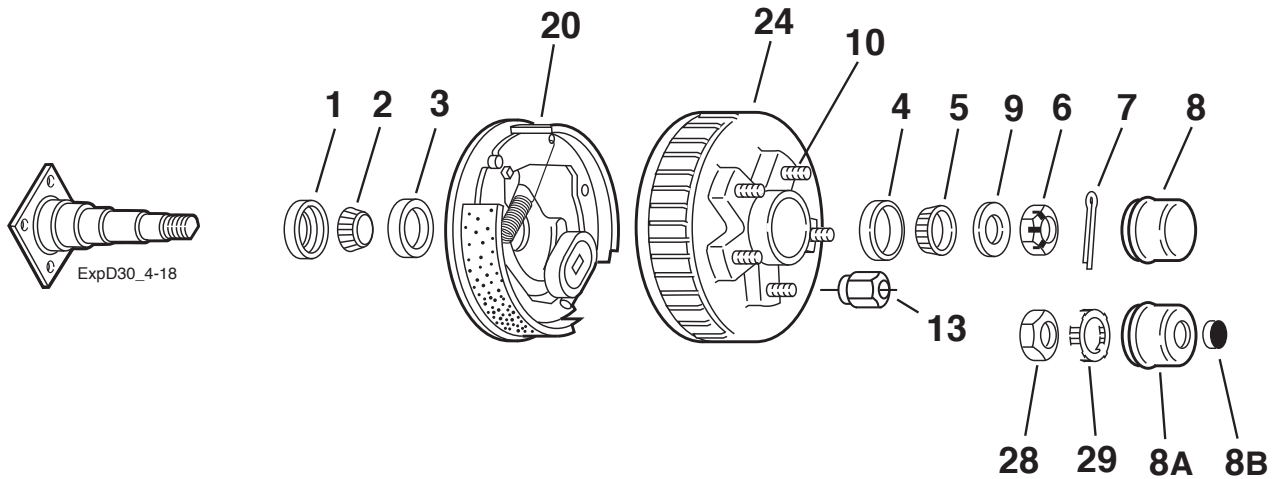
**2300 - 4000 LBS.
CAPACITY**

**See page 8 for an overview of
Leaf Spring Suspension**

545 Hub Group - For D30/ #10L



Service Parts Only for #10L



Grease Lube Parts

Item	Part No.	Description
1	010-019-00	Grease Seal for E-Z Lube®
2	031-032-02	LM67048 Inner Bearing Cone
3	031-032-01	LM67010 Inner Bearing Cup
4	031-031-01	L44610 Outer Bearing Cup
5	031-031-02	L44649 Outer Bearing Cone
6	006-176-00	Spindle Nut
7	019-002-00	Cotter Pin
8	021-003-00	Grease Cap
8A	021-041-01	Grease Cap for E-Z Lube®
8B	085-001-00	Rubber Plug for E-Z Lube®
9	005-023-00	Spindle Washer
28	006-191-00	Special Jam Nut for E-Z Lube® (after 2002)
29	006-190-00	Spindle Nut Retainer for E-Z Lube® (after 2002)

10" x 1-1/2" Brakes

Item	Part No.	Description
20	K23-472-00/K23-473-00	LH/RH Electric
20	K23-476-00/K23-477-00	LH/RH Nev-R-Adjust®

Note: Spindle is not available for resale.

Hubs

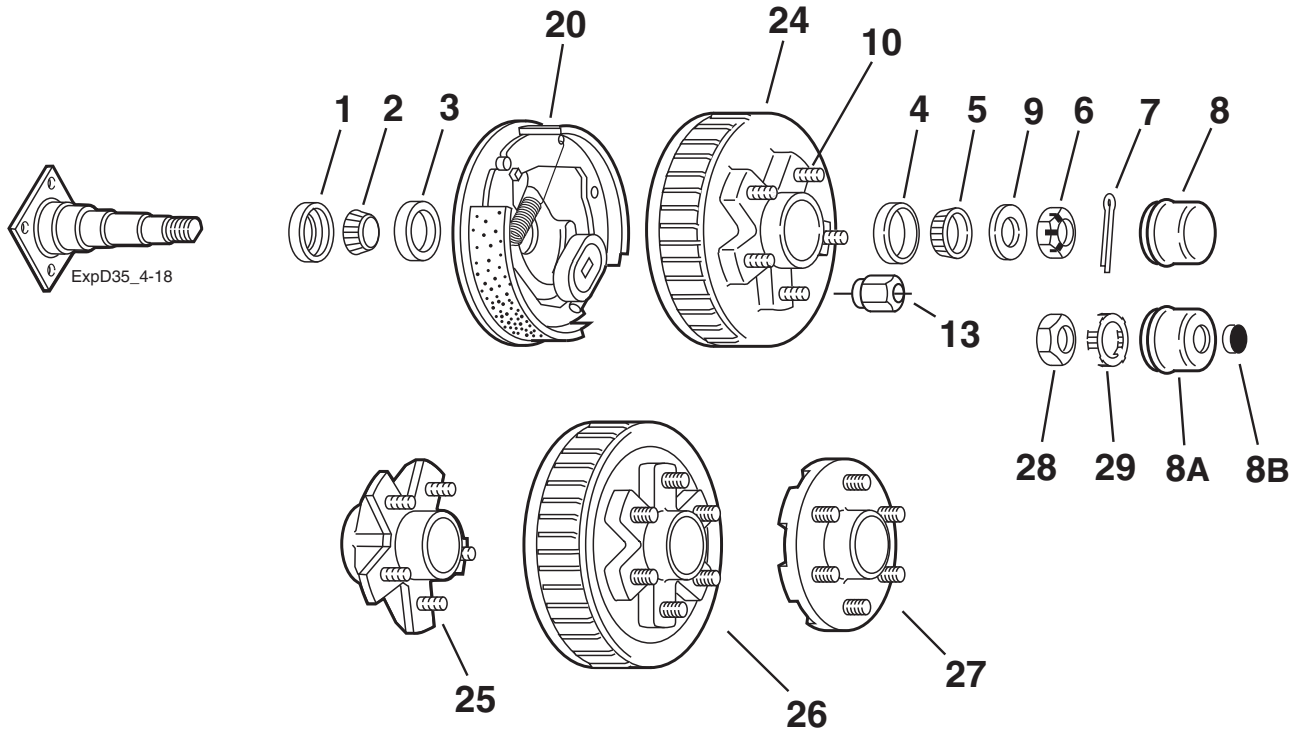
Item	Part No.	Description	Bolt Circle
Hubs and Drums			
24	008-418-02	½" Stud	5 on 4.50

Studs & Wheel Nuts

Item	Part No.	Description
10	007-185-00	½-20 Pressed Wheel Stud
13	006-080-00	½-20 60° Cone Nut

**2300 - 4000 LBS.
CAPACITY**

545 and Other Hub Group - For D35/#10



2300 - 4000 LBS. CAPACITY

Grease Lube Parts

Item	Part No.	Description
1	010-019-00	Grease Seal for E-Z Lube®
2	031-033-02	L68149 Inner Bearing Cone
3	031-033-01	L68111 Inner Bearing Cup
4	031-031-01	L44610 Outer Bearing Cup
5	031-031-02	L44649 Outer Bearing Cone
6	006-176-00	Spindle Nut
7	019-002-00	Cotter Pin
8	021-003-00	Grease Cap
8A	021-041-01	Grease Cap for E-Z Lube®
8B	085-001-00	Rubber Plug for E-Z Lube®
9	005-023-00	Spindle Washer
28	006-191-00	Special Jam Nut for E-Z Lube® (after 2002)
29	006-190-00	Spindle Nut Retainer for E-Z Lube® (after 2002)

10" x 2-1/4" Brakes

Item	Part No.	Description
ns	K23-468-00/K23-469-00	LH/RH Electric Nev-R-Adjust®
20	K23-026-00/K23-027-00	LH/RH Electric
ns	K23-086-00/K23-087-00	LH/RH Electric w/park
ns	K23-312-00/K23-313-00	LH/RH Hydraulic Uni-servo
ns	K23-330-00/K23-331-00	LH/RH Hydraulic Uni-servo w/park
ns	K23-310-00/K23-311-00	LH/RH Hydraulic Duo-servo
ns	K23-400-00/K23-401-00	LH/RH Hydraulic Duo-servo w/park
ns	K23-344-00/K23-345-00	LH/RH Hydraulic Free Backing
ns	K23-344-01/K23-345-01	LH/RH Hydraulic FB Corrosion Resistant

ns - not shown

Note: Spindle is not available for resale.

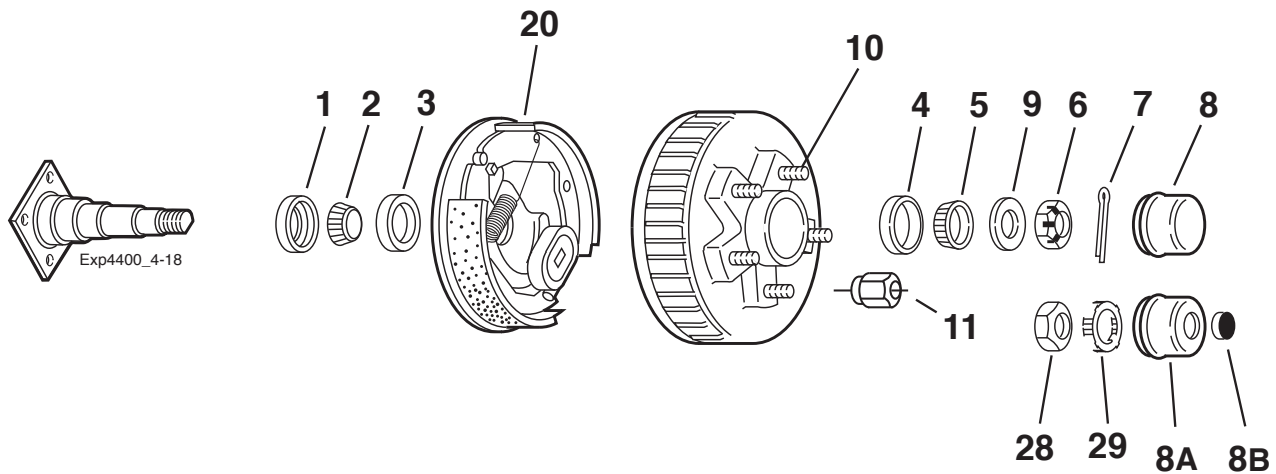
Hubs

Item	Part No.	Description	Bolt Circle
Hubs and Drums			
24	008-247-05	½" Stud	5 on 4.50
24	008-247-50	½" Stud GAL-DEX® coated	5 on 4.50
24	008-249-07	½" Stud	5 on 5.00
24	008-249-05	½" Stud	5 on 5.50
24	008-247-12	½" Stud	5 on 4.75
26	008-250-05	½" Stud	6 on 5.50
Plain Hubs			
25	008-248-05	½" Stud	5 on 4.50
25	008-248-50	½" Stud GAL-DEX® coated	5 on 4.50
25	008-248-10	½" Stud	5 on 4.75
25	008-256-07	½" Stud	5 on 5.00
25	008-256-05	½" Stud	5 on 5.50
27	008-251-05	½" Stud	6 on 5.50

Studs & Wheel Nuts

Item	Part No.	Description
10	007-122-00	½-20 Pressed Wheel Stud
13	006-080-00	½-20 60° Cone Nut

545 Hub Group - For D40/ #10F



Grease Lube Parts

Item	Part No.	Description
1	010-019-00	Grease Seal for E-Z Lube®
2	031-033-02	L68149 Inner Bearing Cone
3	031-033-01	L68111 Inner Bearing Cup
4	031-031-01	L44610 Outer Bearing Cup
5	031-031-02	L44649 Outer Bearing Cone
6	006-176-00	Spindle Nut
7	019-002-00	Cotter Pin (not used with E-Z Lube®)
8	021-003-00	Grease Cap
8A	021-041-01	Grease Cap for E-Z Lube®
8B	085-001-00	Rubber Plug for E-Z Lube®
9	005-023-00	Spindle Washer
28	006-191-00	Special Jam Nut for E-Z Lube® (after 2002)
29	006-190-00	Spindle Nut Retainer for E-Z Lube® (after 2002)

10" x 2-1/4" Brakes

Item	Part No.	Description
20	K23-462-00	LH Electric
20	K23-463-00	RH Electric
ns	K23-478-00	LH Electric Nev-R-Adjust®
ns	K23-479-00	RH Electric Nev-R-Adjust®

ns - not shown

Note: Spindle is not available for resale.

Hubs

Item	Part No.	Description	Bolt Circle
Hubs and Drums			
26	008-426-05	½" Stud	5 on 4.50

Studs & Wheel Nuts

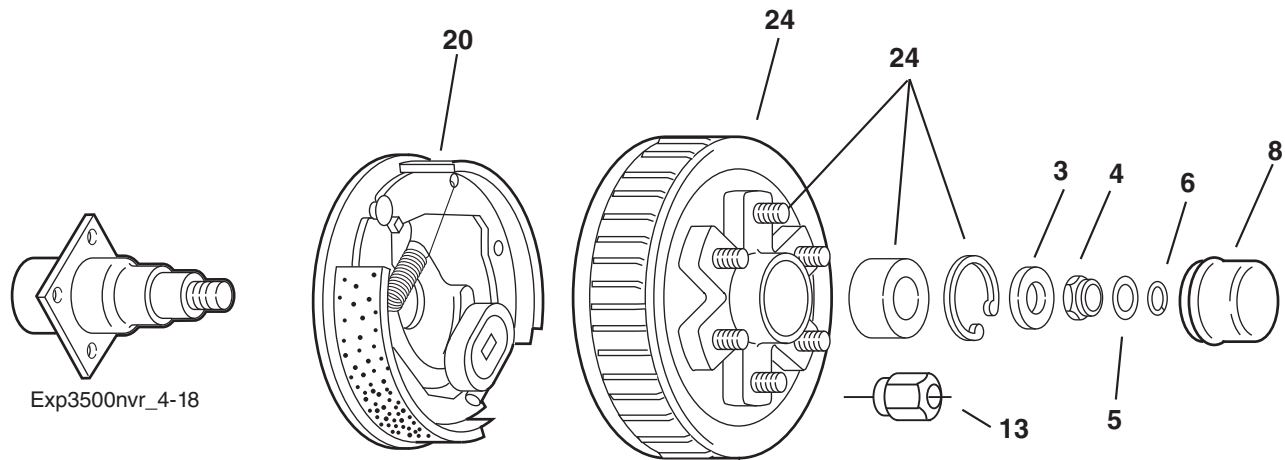
Item	Part No.	Description
10	007-122-00	½-20 Pressed Wheel Stud
11	006-080-00	½-20 60° Cone Nut

**2300 - 4000 LBS.
CAPACITY**

655 Nev-R-Lube® Hub Group



Service Parts Only



Nev-R-Lube® Parts 35MM

Item	Part No.	Description
3	005-150-00	Spindle Washer
4	006-183-00	Spindle Nut
5	092-002-00	Washer, Torque Label
6	069-096-00	Snap Ring
8	021-084-00*	Grease Cap

10" x 2-1/4" Brakes

Item	Part No.	Description
ns	K23-468-00/K23-469-00	LH/RH Electric Nev-R-Adjust®
20	K23-026-00/K23-027-00	LH/RH Electric
ns	K23-086-00/K23-087-00	LH/RH Electric w/park
ns	K23-312-00/K23-313-00	LH/RH Hydraulic Uni-servo
ns	K23-330-00/K23-331-00	LH/RH Hydraulic Uni-servo w/park
ns	K23-310-00/K23-311-00	LH/RH Hydraulic Duo-servo
ns	K23-400-00/K23-401-00	LH/RH Hydraulic Duo-servo w/park
ns	K23-344-00/K23-345-00	LH/RH Hydraulic Free Backing
ns	K23-344-01/K23-345-01	LH/RH Hydraulic FB Corrosion Resistant

ns - not shown

Note: Spindle is not available for resale.

Hubs With Bearing & Wheel Studs

Item	Part No.	Description	Bolt Circle
24	008-386-80*	Hub and Drum includes: 007-185-00 1/2-20 Press-in Stud 031-072-03* 35mm Cartridge Bearing 069-094-00* Bearing Retainer	6 on 5.50

Wheel Nuts

Item	Part No.	Description
13	006-080-00	1/2-20 60° Cone Nut

* Available for service parts only.

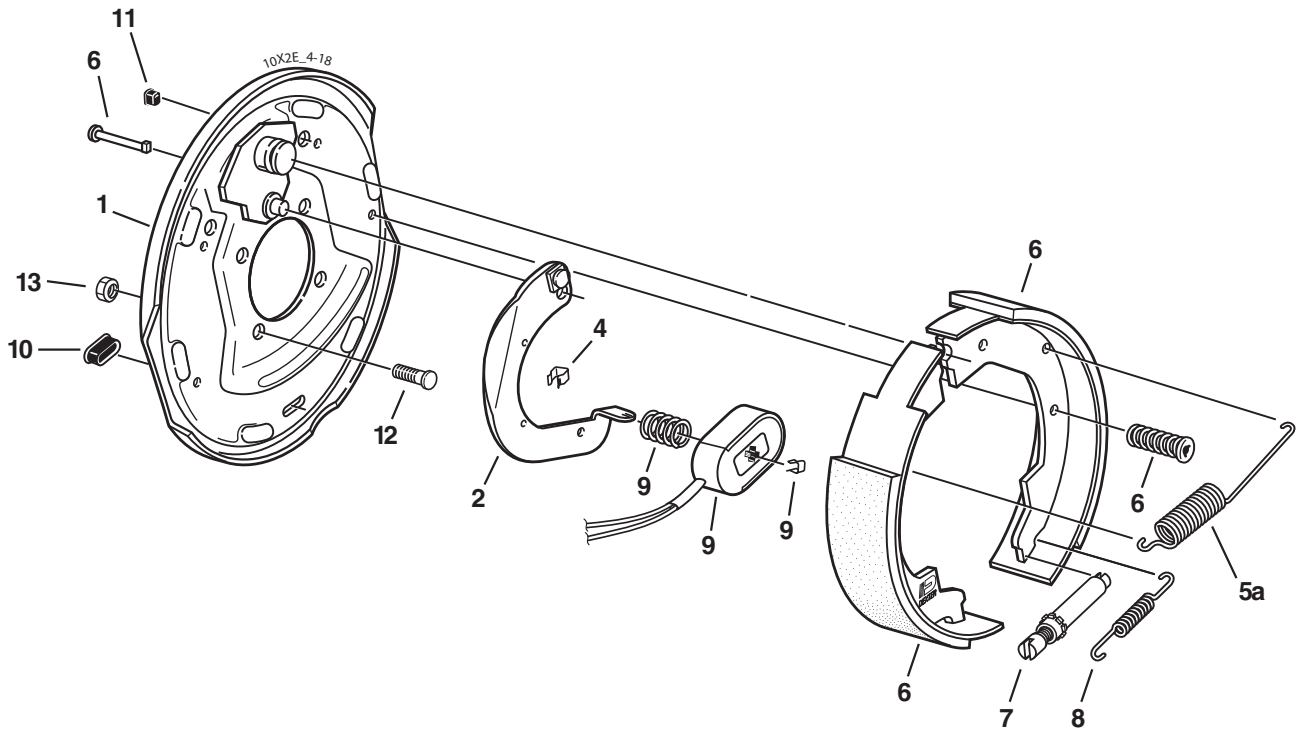
**See page 6 for an overview of
Nev-R-Lube® bearings**

**2300 - 4000 LBS.
CAPACITY**

10" x 1-1/2" 3,000 lbs. Electric Brake



CSA approved at 3000 lbs. / 13.1 SLR

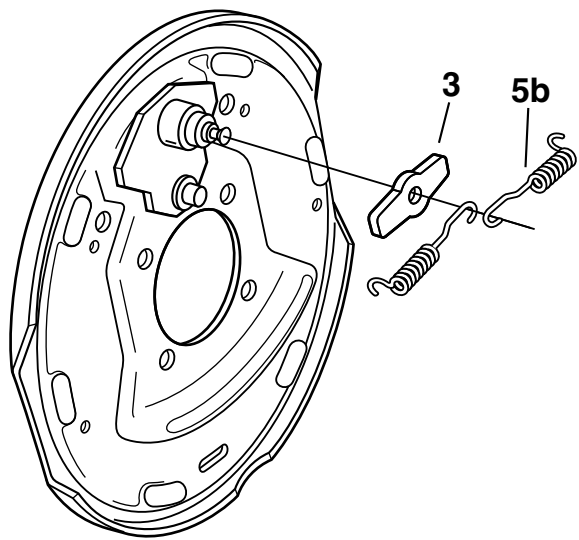


Electric Brake 3000 lbs.

Item	Part No.	Qty/Brk	Description
0	K23-472-00	1	LH Complete Brake Assembly (shown)
0	K23-473-00	1	RH Complete Brake Assembly
1	036-134-03	1	Backing Plate Assembly
2	047-019-05	1	LH Actuating Lever Arm
2	047-020-05	1	RH Actuating Lever Arm
3	005-067-00	1	Washer (before 3/18)
4	027-005-00	2	Wire Clip
5a	046-056-00	1	Retractor Spring (after 3/18)
5b	046-009-00	2	Retractor Spring (before 3/18)
6	K71-046-00	1	Shoe & Lining Kit Contains: 2 035-001-00 Shoe Hold Down Cup 1 040-129-00 Primary Shoe & Lining 1 040-130-00 Secondary Shoe & Lining 2 046-006-00 Shoe Hold Down Spring 2 049-009-00 Shoe Hold Down Pin *T*
7	043-004-00	1	Adjuster Assembly
8	046-018-00	1	Adjusting Screw Spring
9	K71-104-00	1	Magnet Kit Contains: 1 042-140-00 Magnet (green wire) 1 027-009-00 Magnet Clip 1 046-080-00 Magnet Spring (before 7/16) 1 046-175-00 Magnet Spring (after 7/16)
10	046-007-00	2	Adjuster Slot Plug
11	046-016-00	1	Wire Grommet
12	007-041-00	4	Brake Mounting Bolt - Press-in
13	006-017-01	4	Brake Mounting Nut

* Not included with complete brake assembly. Item sold separately.

Before 3/18: Dual Retractor Spring Components

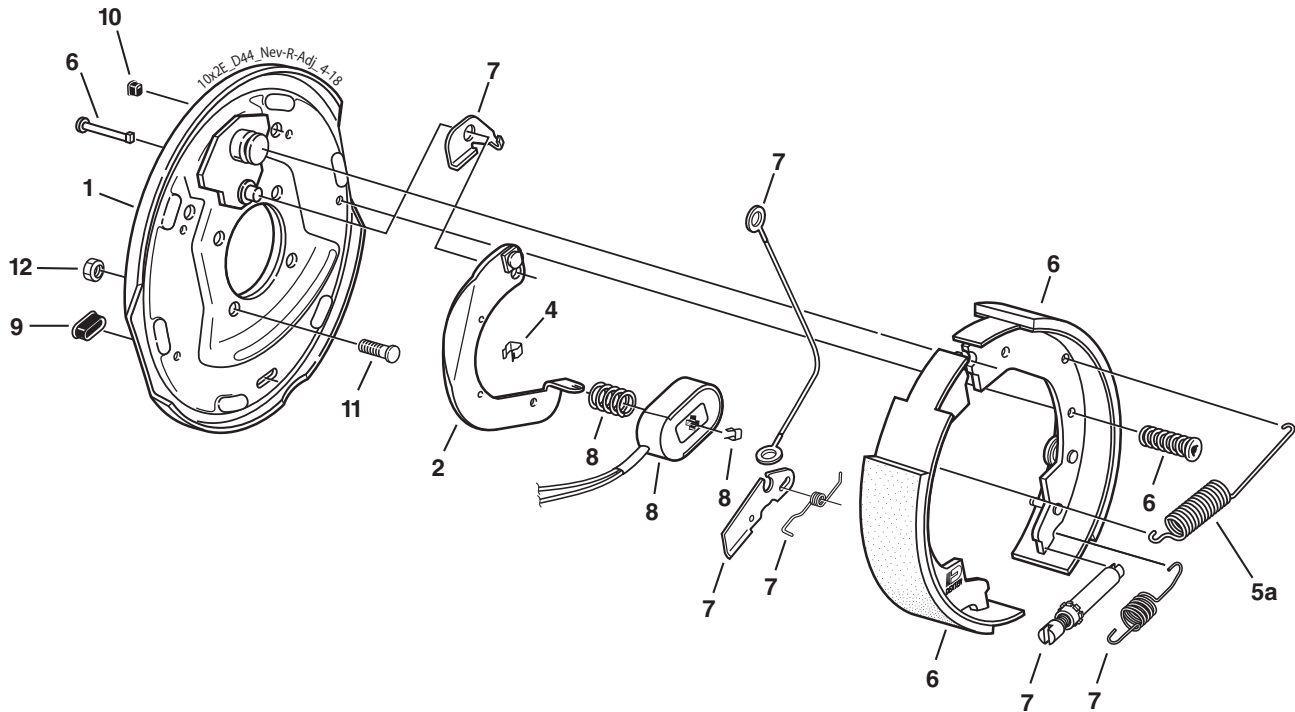


**2300 - 4000 LBS.
CAPACITY**

10" x 1-1/2" 3,000 lbs. Nev-R-Adjust® Electric Brake



CSA approved at 3000 lbs. / 13.1 SLR



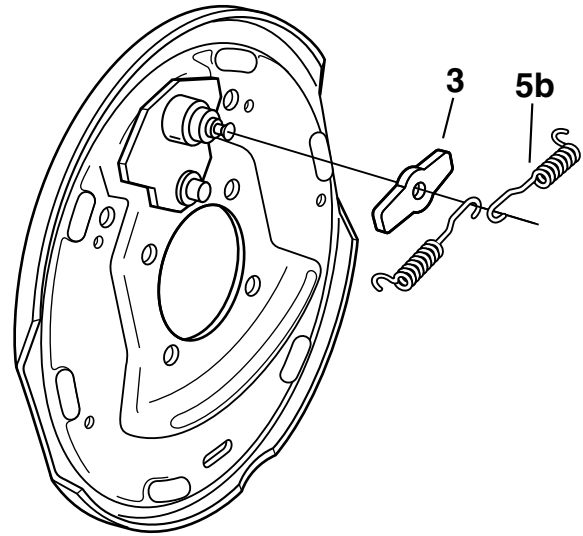
2300 - 4000 LBS. CAPACITY

Electric Brake 3000 lbs.

Item	Part No.	Qty/Brk	Description
0	K23-476-00	1	LH Complete Brake Assembly (shown)
0	K23-477-00	1	RH Complete Brake Assembly
1	036-134-03	1	Backing Plate Assembly (after 3/18)
2	047-019-00	1	LH Actuating Lever Arm
2	047-020-00	1	RH Actuating Lever Arm
3	005-067-00	1	Washer (before 3/18)
4	027-005-00	2	Wire Clip
5a	046-056-00	1	Retractor Spring (after 3/18)
5b	046-009-00	2	Retractor Spring (before 3/18)
6	K71-701-00	1	LH Shoe & Lining Kit Contains: 1 040-129-00 Primary Shoe & Lining 1 040-375-00 Secondary Shoe & Lining 2 049-009-00 Shoe Hold Down Pin T 2 046-006-00 Shoe Hold Down Spring
6	K71-702-00	1	RH Shoe & Lining Kit Contains: 1 040-129-00 Primary Shoe & Lining 1 040-376-00 Secondary Shoe & Lining 2 049-009-00 Shoe Hold Down Pin T 2 035-001-00 Shoe Hold Down Spring & Cup
7	K71-703-00	1	LH & RH Brake Adjuster Kit Contains: 2 046-139-00 Adjusting Screw Spring 1 046-140-00 LH Lever Spring 1 046-141-00 RH Lever Spring 1 048-022-00 LH Adjuster Assembly 1 048-023-00 RH Adjuster Assembly 2 071-529-00 Hook for Cable 1 071-532-01 LH Adjusting Lever 1 071-532-02 RH Adjusting Lever 2 071-533-00 Adjuster Cable 1 071-655-01 LH Cable Lever 1 071-655-02 RH Cable Lever 2 071-656-00 Adjuster Cable
8	K71-104-00	1	Magnet Kit Contains: 1 042-140-00 Magnet (green wire) 1 027-009-00 Magnet Clip 1 046-080-00 Magnet Spring (before 7/16) 1 046-175-00 Magnet Spring (after 7/16)
9	046-007-00	2	Adjuster Slot Plug
10	046-016-00	1	Wire Grommet
11	007-041-00	4	Brake Mounting Bolt - Press-in
*12	006-017-01	4	Brake Mounting Nut

* Not included with complete brake assembly. Item sold separately.

Before 3/18: Dual Retractor Spring Components

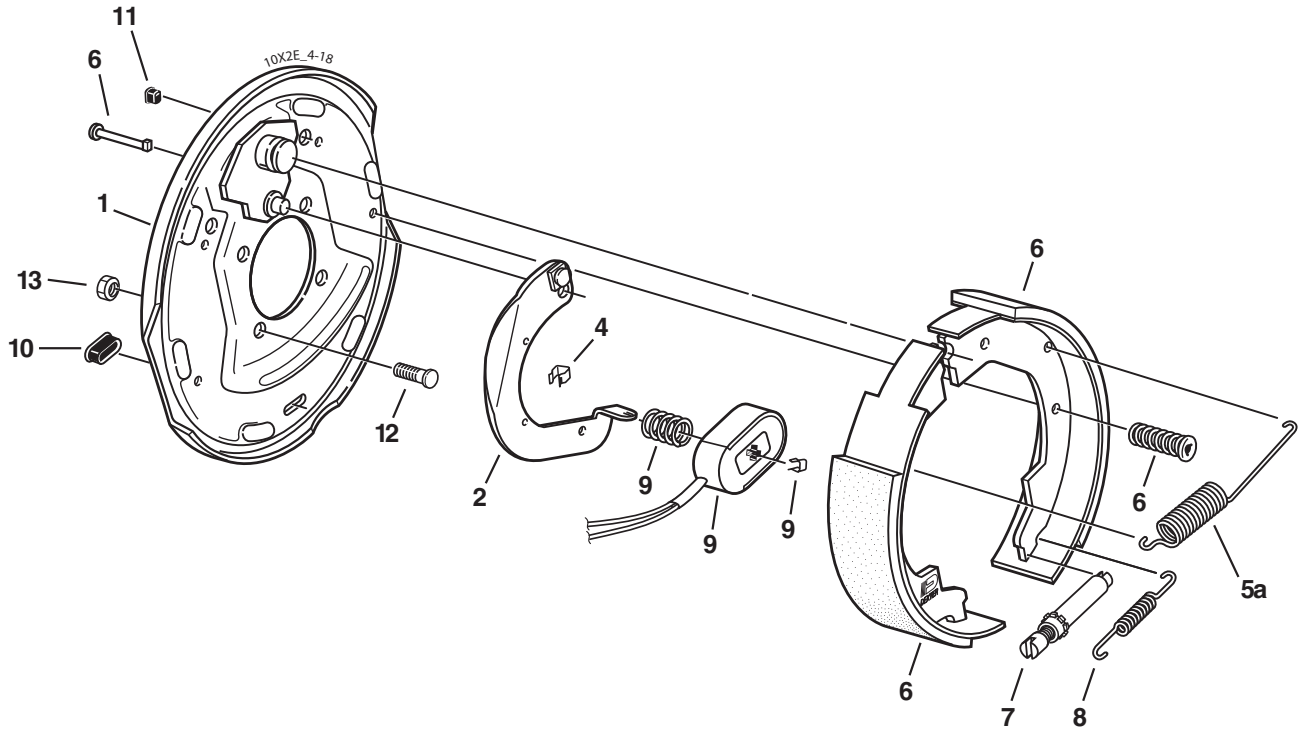


See page 5 for an overview of the Nev-R-Adjust® electric brakes

10" x 2-1/4" 3,500 lbs. Electric Brake



CSA approved at 3500 lbs. /13.3 SLR

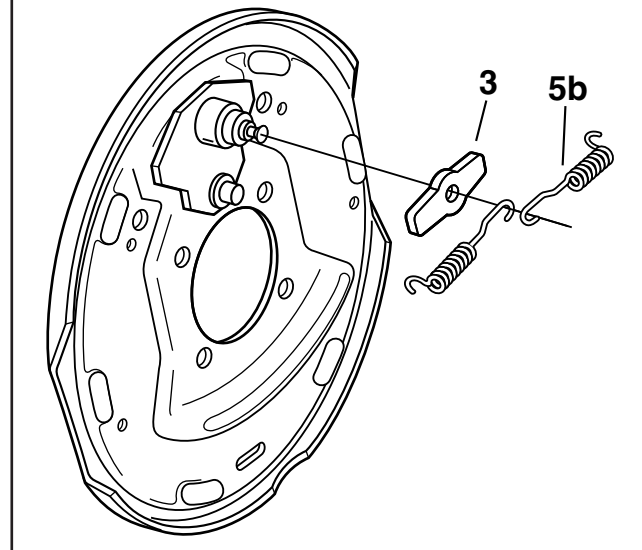


Electric Brake 3500 lbs.

Item	Part No.	Qty/Brk	Description
0	K23-026-00	1	LH Complete Brake Assembly (shown)
0	K23-027-00	1	RH Complete Brake Assembly
1	036-019-10	1	Backing Plate Assembly (after 3/18)
2	047-019-05	1	LH Actuating Lever Arm
2	047-020-05	1	RH Actuating Lever Arm
3	005-067-00	1	Washer (before 3/18)
4	027-005-00	2	Wire Clip
5a	046-056-00	1	Retractor Spring (after 3/18)
5b	046-009-00	2	Retractor Spring (before 3/18)
6	K71-047-00	1	Shoe & Lining Kit Contains: 1 040-017-00 Primary Shoe & Lining 1 040-021-00 Secondary Shoe & Lining 2 049-002-00 Shoe Hold Down Pin lbs. 8 2 046-077-00 Shoe Hold Down Spring & Cup
7	043-004-00	1	Adjuster Assembly
8	046-018-00	1	Adjusting Screw Spring
9	K71-104-00	1	Magnet Kit Contains: 1 042-140-00 Magnet (green wire) 1 027-009-00 Magnet Clip 1 046-080-00 Magnet Spring (before 7/16) 1 046-175-00 Magnet Spring (after 7/16)
10	046-007-00	2	Adjuster Slot Plug
11	046-016-00	1	Wire Grommet
12	007-041-00	4	Brake Mounting Bolt - Press-in
*13	006-017-01	4	Brake Mounting Nut

* Not included with complete brake assembly. Item sold separately.

Before 3/18: Dual Retractor Spring Components

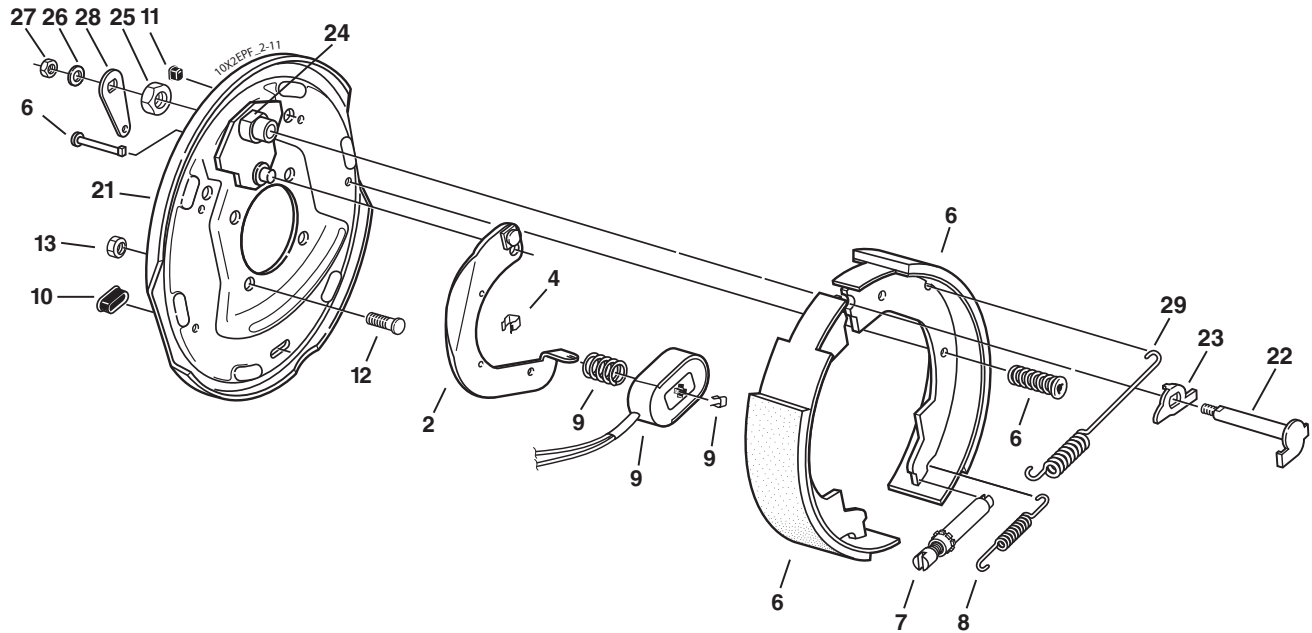


**2300 - 4000 LBS.
CAPACITY**

10" x 2-1/4" 3,500 lbs. Electric Brake With Parking Feature



CSA approved at 3500 lbs. /13.3 SLR



Electric Parking Brake 3500 lbs.

Item	Part No.	Qty/Brk	Description
0	K23-086-00	1	LH Complete Brake Assembly (shown)
0	K23-087-00	1	RH Complete Brake Assembly
2	047-019-05	1	LH Actuating Lever Arm
2	047-020-05	1	RH Actuating Lever Arm
4	027-005-00	3	Wire Clip
6	K71-047-00	1	Shoe & Lining Kit Contains: 1 040-017-00 Primary Shoe & Lining 1 040-021-00 Secondary Shoe & Lining 2 049-002-00 Shoe Hold Down Pin 8 2 046-077-00 Shoe Hold Down Spring & Cup
7	043-004-00	1	Adjuster Assembly
8	046-018-00	1	Adjusting Screw Spring
9	K71-104-00	1	Magnet Kit Contains: 1 042-140-00 Magnet (green wire) 1 027-009-00 Magnet Clip 1 046-080-00 Magnet Spring (before 7/16) 1 046-175-00 Magnet Spring (after 7/16)
10	046-007-00	2	Adjuster Slot Plug
11	046-016-00	1	Wire Grommet
12	007-041-00	4	Brake Mounting Bolt - Press-in
*13	006-017-01	4	Brake Mounting Nut
21	036-019-07	1	LH Backing Plate Assembly (includes items 12, 22-28)
21	036-019-08	1	RH Backing Plate Assembly (includes items 12, 22-28)
22	039-025-00	1	LH Pivot Pin & Cam Sub-Assembly
22	039-026-00	1	LH Pivot Pin & Cam Sub-Assembly
23	039-048-00	1	LH Actuating Cam
23	039-049-00	1	RH Actuating Cam
24	038-047-00	1	Anchor Post & Bushing Assembly
25	006-047-00	1	Anchor Post Locknut
26	005-041-00	1	Washer
27	006-011-00	1	Pivot Pin Locknut
28	047-070-00	1	Actuating Lever
29	046-056-00	1	Retractor Spring

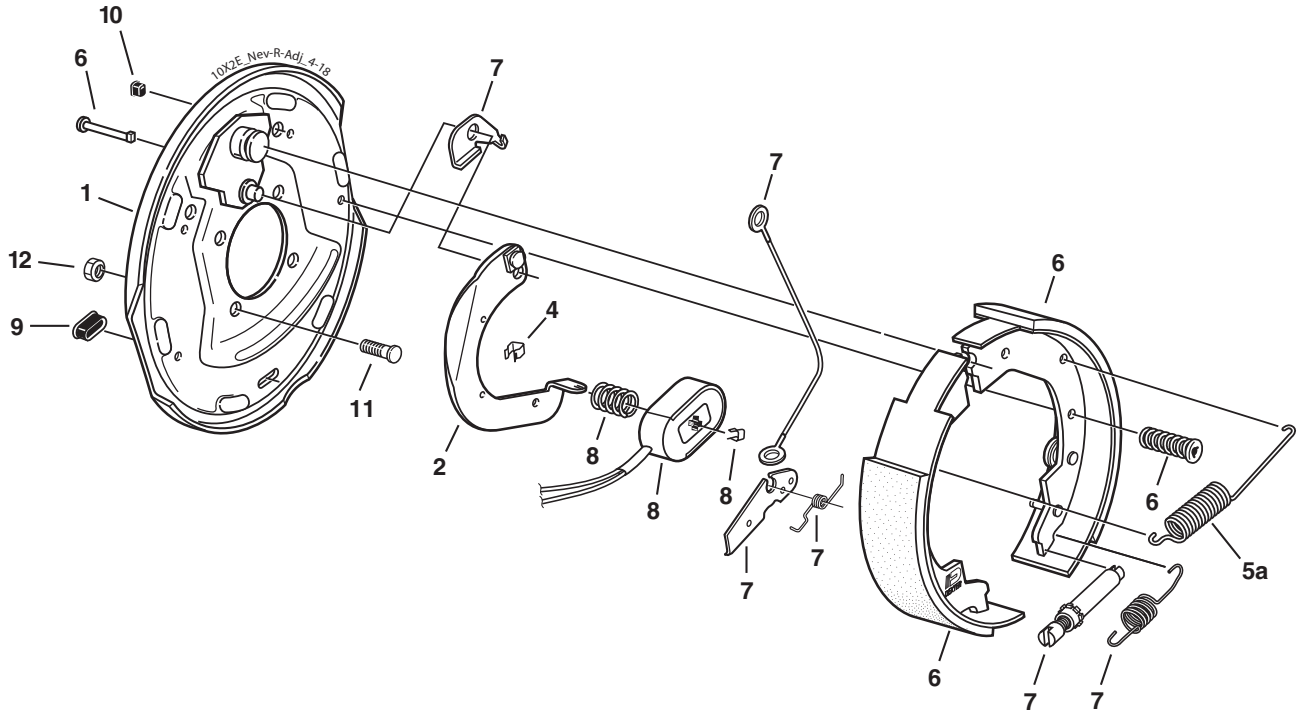
* Not included with complete brake assembly. Item sold separately.

**2300 - 4000 LBS.
CAPACITY**

10" x 2-1/4" 3,500 lbs. Nev-R-Adjust® Electric Brake



CSA approved at 3500 lbs. / 13.3 SLR

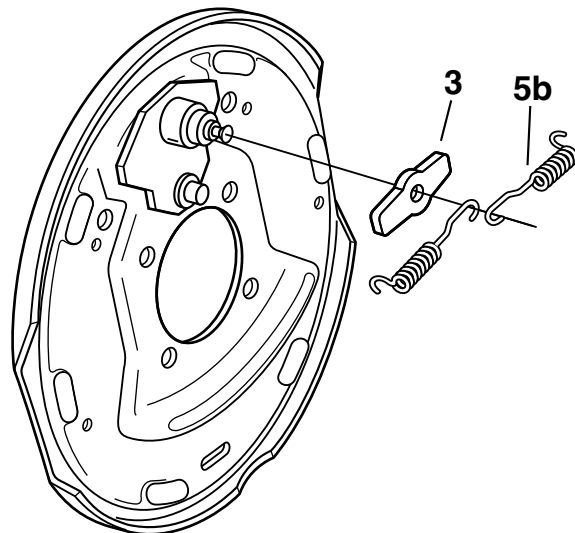


Electric Brake 3500 lbs.

Item	Part No.	Qty/Brk	Description
0	K23-468-00	1	LH Complete Brake Assembly (shown)
0	K23-469-00	1	RH Complete Brake Assembly
1	036-019-10	1	Backing Plate Assembly (after 3/18)
2	047-019-10	1	LH Actuating Lever Arm
2	047-020-10	1	RH Actuating Lever Arm
3	005-067-00	1	Washer (before 3/18)
4	027-005-00	2	Wire Clip
5a	046-005-00	1	Retractor Spring (after 3/18)
5b	046-009-00	2	Retractor Spring (before 3/18)
6	K71-681-00	1	LH Shoe & Lining Kit Contains: 1 040-367-00 Primary Shoe & Lining 1 040-368-01 Secondary Shoe & Lining 2 049-002-00 Shoe Hold Down Pin 8 2 046-077-00 Shoe Hold Down Spring & Cup
6	K71-682-00	1	RH Shoe & Lining Kit Contains: 1 040-367-00 Primary Shoe & Lining 1 040-368-02 Secondary Shoe & Lining 2 049-002-00 Shoe Hold Down Pin 8 2 046-077-00 Shoe Hold Down Spring & Cup
7	K71-703-00	1	LH & RH Brake Adjuster Kit Contains: 2 046-139-00 Adjusting Screw Spring 1 046-140-00 LH Lever Spring 1 046-141-00 RH Lever Spring 1 048-022-00 LH Adjuster Assembly 1 048-023-00 RH Adjuster Assembly 2 071-529-00 Hook for Cable 1 071-532-01 LH Adjusting Lever 1 071-532-02 RH Adjusting Lever 2 071-533-00 Adjuster Cable 1 071-655-01 LH Cable Lever 1 071-655-02 RH Cable Lever 2 071-656-00 Adjuster Cable
8	K71-104-00	1	Magnet Kit Contains: 1 042-140-00 Magnet (green wire) 1 027-009-00 Magnet Clip 1 046-080-00 Magnet Spring (before 7/16) 1 046-175-00 Magnet Spring (after 7/16)
9	046-007-00	2	Adjuster Slot Plug
10	046-016-00	1	Wire Grommet
11	007-041-00	4	Brake Mounting Bolt - Press-in
*12	006-017-01	4	Brake Mounting Nut

* Not included with complete brake assembly. Item sold separately.

Before 3/18: Dual Retractor Spring Components



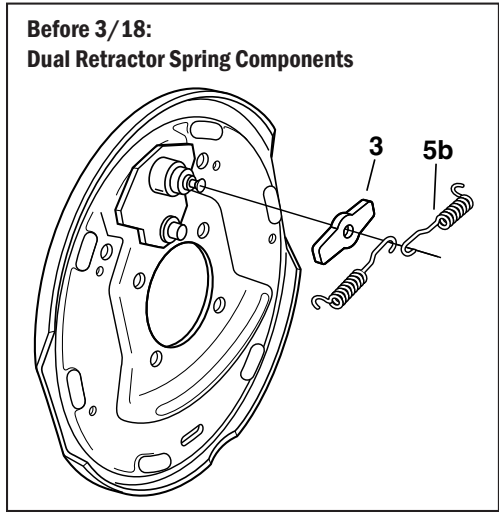
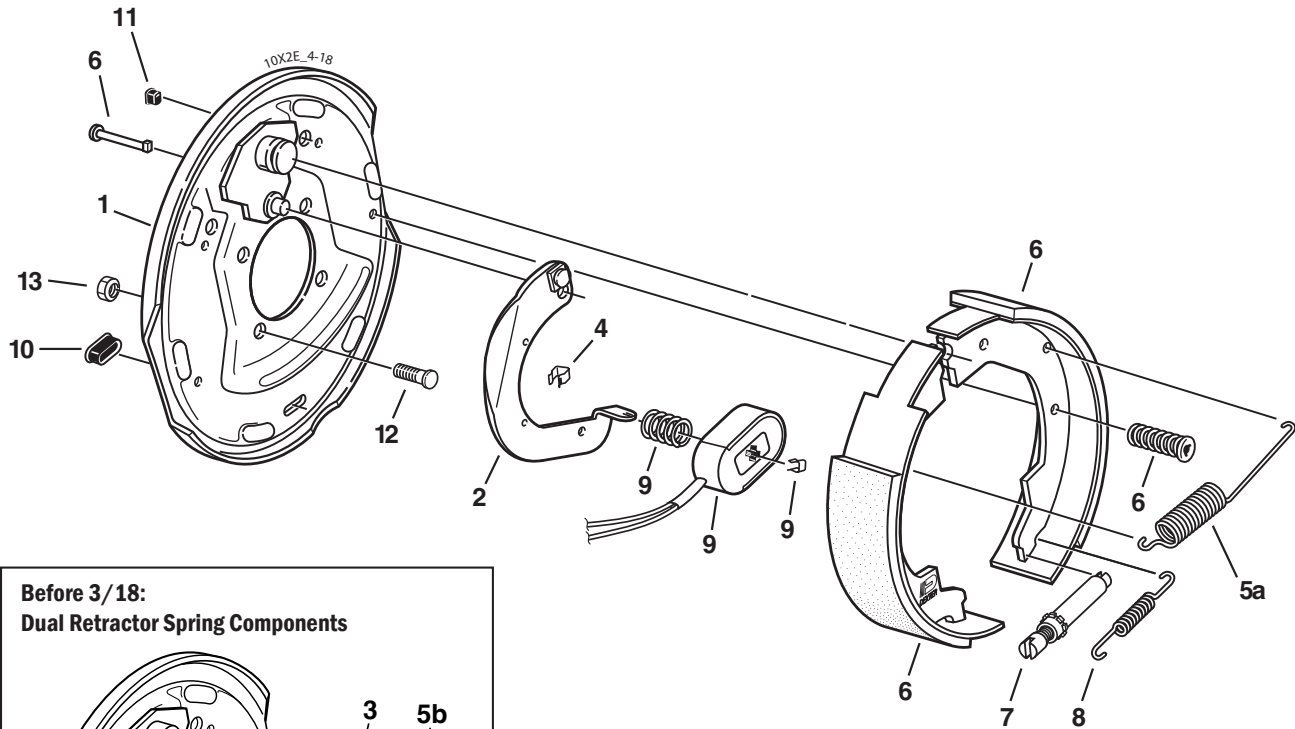
**2300 - 4000 LBS.
CAPACITY**

**See page 5 for an overview of the
Nev-R-Adjust® electric brakes**

10" x 2-1/4" 4,400 lbs. Electric Brake Manual Adjust



CSA approved at 4400 lbs. / 13.0 SLR



**2300 - 4000 LBS.
CAPACITY**

Electric Brake - After 5/1/09

Item	Part No.	Qty/Brk	Description
0	K23-462-00	1	LH Complete Brake Assembly (shown)
0	K23-463-00	1	RH Complete Brake Assembly
1	036-019-19	1	Backing Plate Assembly (after 3/18)
2	047-019-05	1	LH Actuating Lever Arm
2	047-020-05	1	RH Actuating Lever Arm
3	005-067-00	1	Washer (before 3/18)
4	027-005-00	2	Wire Clip
5a	046-056-00	1	Retractor Spring (after 3/18)
5b	046-009-00	2	Retractor Spring (before 3/18)
6	K71-672-00	1	Shoe & Lining Kit Contains: 1 040-361-00 Primary Shoe & Lining 1 040-362-00 Secondary Shoe & Lining 2 049-002-00 Shoe Hold Down Pin 8 2 046-077-00 Shoe Hold Down Spring & Cup
7	043-004-00	1	Adjuster Assembly
8	046-018-00	1	Adjusting Screw Spring
9	K71-125-00	1	Magnet Kit Contains: 1 042-143-00 Magnet (black wire) 1 027-009-00 Magnet Clip 1 046-080-00 Magnet Spring
10	046-007-00	2	Adjuster Slot Plug
11	046-016-00	1	Wire Grommet
12	007-271-00	4	Brake Mounting Bolt - Press-in
*13	006-017-01	4	Brake Mounting Nut

* Not included with complete brake assembly. Item sold separately.

Electric Brake - Before 5/1/09

Item	Part No.	Qty/Brk	Description
ns	K23-454-00	1	LH Complete Brake Assembly
ns	K23-455-00	1	RH Complete Brake Assembly
1	036-019-16	1	Backing Plate Assembly
2	047-019-05	1	LH Actuating Lever Arm
2	047-020-05	1	RH Actuating Lever Arm
3	005-067-00	1	Washer
4	027-005-00	2	Wire Clip
5	046-009-00	2	Retractor Spring
6	K71-672-00	1	Shoe & Lining Kit Contains: 1 040-361-00 Primary Shoe & Lining 1 040-362-00 Secondary Shoe & Lining 2 049-002-00 Shoe Hold Down Pin 8 2 046-077-00 Shoe Hold Down Spring & Cup
7	043-004-00	1	Adjuster Assembly
8	046-018-00	1	Adjusting Screw Spring
9	K71-125-00	1	Magnet Kit Contains: 1 042-143-00 Magnet (black wire) 1 027-009-00 Magnet Clip 1 046-080-00 Magnet Spring (before 7/16) 1 046-175-00 Magnet Spring (after 7/16)
10	046-007-00	2	Adjuster Slot Plug
11	046-016-00	1	Wire Grommet
12	007-271-00	4	Brake Mounting Bolt - Press-in
*13	006-017-01	4	Brake Mounting Nut

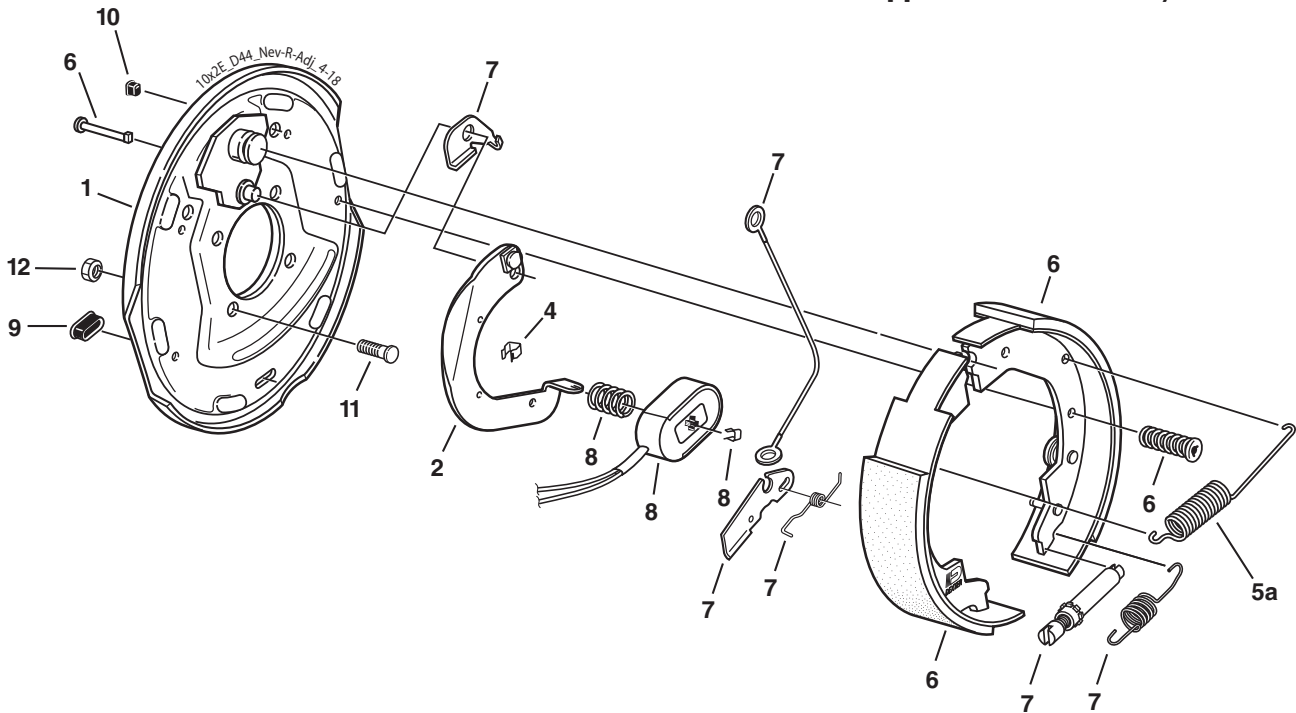
ns - not shown

* Not included with complete brake assembly. Item sold separately.

10" x 2-1/4" 4,400 lbs. Nev-R-Adjust® Electric Brake



CSA approved at 4400 lbs. / 13.0 SLR



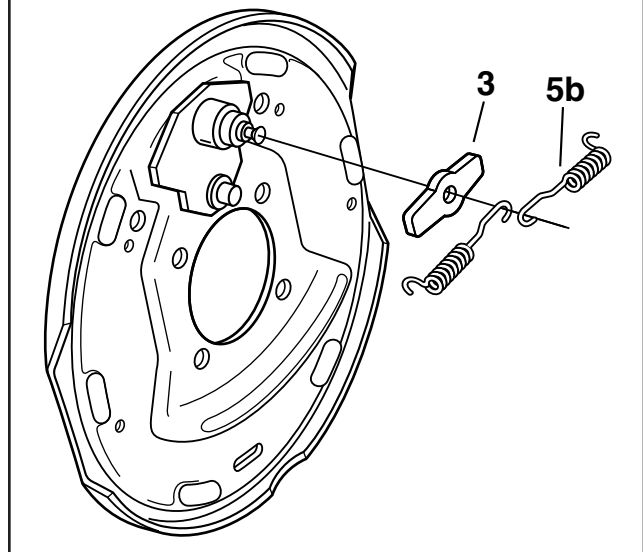
This brake will not fit axles produced prior to 5/1/09.

Electric Brake 4400 lbs.

Item	Part No.	Qty/Brk	Description
0	K23-478-00	1	LH Complete Brake Assembly (shown)
0	K23-479-00	1	RH Complete Brake Assembly
1	036-019-19	1	Backing Plate Assembly (after 3/18)
2	047-019-10	1	LH Actuating Lever Arm
2	047-020-10	1	RH Actuating Lever Arm
3	005-067-00	1	Washer (before 3/18)
4	027-011-00	2	Wire Clip
5a	046-056-00	1	Retractor Spring (after 3/18)
5b	046-009-00	2	Retractor Spring (before 3/18)
6	K71-698-00	1	LH Shoe & Lining Kit Contains: 1 040-379-00 Primary Shoe & Lining 1 040-380-01 Secondary Shoe & Lining 2 049-002-00 Shoe Hold Down Pin 8 2 046-077-00 Shoe Hold Down Spring & Cup
6	K71-699-00	1	RH Shoe & Lining Kit Contains: 1 040-379-00 Primary Shoe & Lining 1 040-380-02 Secondary Shoe & Lining 2 049-002-00 Shoe Hold Down Pin 8 2 046-077-00 Shoe Hold Down Spring & Cup
7	K71-703-00	1	LH & RH Brake Adjuster Kit Contains: 2 046-139-00 Adjusting Screw Spring 1 046-140-00 LH Lever Spring 1 046-141-00 RH Lever Spring 1 048-022-00 LH Adjuster Assembly 1 048-023-00 RH Adjuster Assembly 2 071-529-00 Hook for Cable 1 071-532-01 LH Adjusting Lever 1 071-532-02 RH Adjusting Lever 2 071-533-00 Adjuster Cable 1 071-655-01 LH Cable Lever 1 071-655-02 RH Cable Lever 2 071-656-00 Adjuster Cable
8	K71-125-00	1	Magnet Kit Contains: 1 042-143-00 Magnet (black wire) 1 027-009-00 Magnet Clip 1 046-080-00 Magnet Spring (before 7/16) 1 046-175-00 Magnet Spring (after 7/16)
9	046-007-00	2	Adjuster Slot Plug
10	046-016-00	1	Wire Grommet
11	007-271-00	4	Brake Mounting Bolt - Press-in
*12	006-017-01	4	Brake Mounting Nut

* Not included with complete brake assembly. Item sold separately.

Before 3/18: Dual Retractor Spring Components



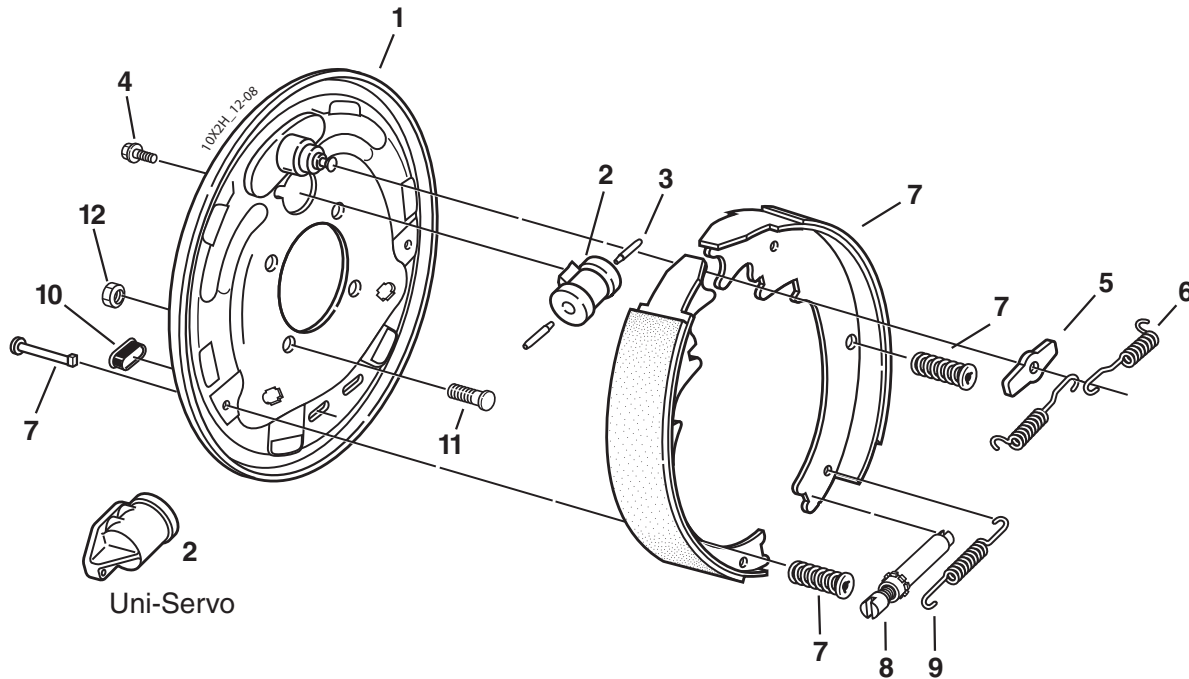
**2300 - 4000 LBS.
CAPACITY**

**See page 5 for an overview of the
Nev-R-Adjust® electric brakes**

10" x 2-1/4" 3,500 lbs. Hydraulic Brake



CSA approved at 3500 lbs. /14.0 SLR; Uni-Servo



Note: Uni-Servo brakes to be used with surge actuator

Hydraulic Brake

Item	Part No.	Qty/Brk	Description
0	K23-310-00	1	LH Complete Brake Assembly-DS
0	K23-311-00	1	RH Complete Brake Assembly-DS
0	K23-312-00	1	LH Complete Brake Assembly-US
0	K23-313-00	1	RH Complete Brake Assembly-US (shown)
1	036-094-03	1	Backing Plate Assembly (includes item 11)
2	054-062-00	1	LH Brake Cylinder Duo-Servo
2	054-063-00	1	RH Brake Cylinder Duo-Servo
2	054-064-00	1	LH Brake Cylinder Uni-Servo
2	054-065-00	1	RH Brake Cylinder Uni-Servo
3	054-060-00	1 or 2	Cylinder Push Rod US (1) DS (2)
4	087-001-00	2	Sems (screw & washer assembly)
5	005-113-00	1	Anchor Post Washer
6	046-009-00	2	Retractor Spring
7	K71-267-00	1	Shoe & Lining Kit Contains: 1 040-210-00 Primary Shoe & Lining 1 040-211-00 Secondary Shoe & Lining 2 046-077-00 Shoe Hold Down Spring & Cup 2 049-002-00 Shoe Hold Down Pin 8
8	043-004-00	1	Adjuster Assembly
9	046-018-00	1	Adjusting Screw Spring
10	046-007-00	1	Adjuster Slot Plug
11	007-041-00	4	Brake Mounting Bolt - Press-in
*12	006-017-01	4	Brake Mounting Nut
ns	054-089-00	1	Bleeder Screw (included with item 2)

ns - not shown

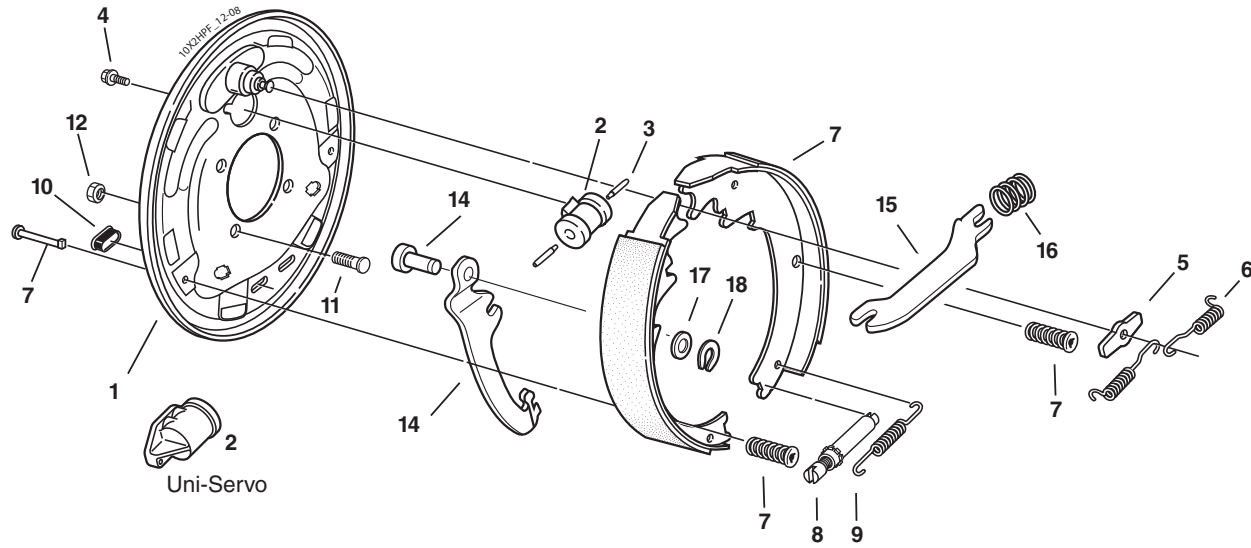
* Not included with complete brake assembly. Item sold separately.

**2300 - 4000 LBS.
CAPACITY**

10" x 2-1/4" 3,500 lbs. Hydraulic Brake - Parking Feature



CSA approved at 3500 lbs. / 14.0 SLR; Uni-Servo



Note: Uni-Servo brakes to be used with surge actuator

Hydraulic Parking Brake

Item	Part No.	Qty/Brk	Description
0	K23-330-00	1	LH Complete Brake Assembly-w/park-US
0	K23-331-00	1	RH Complete Brake Assembly-w/park-US (shown)
0	K23-400-00	1	LH Complete Brake Assembly-w/park-DS
0	K23-401-00	1	RH Complete Brake Assembly-w/park-DS (shown)
1	036-094-03	1	Backing Plate Assembly (includes item 11)
2	054-064-00	1	LH Brake Cylinder Uni-Servo
2	054-065-00	1	RH Brake Cylinder Uni-Servo
2	054-062-00	1	LH Brake Cylinder Duo-Servo
2	054-063-00	1	RH Brake Cylinder Duo-Servo
3	054-060-00	1 or 2	Cylinder Push Rod US (1) DS (2)
4	087-001-00	2	Sems (screw & washer assembly)
5	005-113-00	1	Anchor Post Washer
6	046-009-00	2	Retractor Spring
7	K71-267-00	1	Shoe & Lining Kit Contains: 1 040-210-00 Primary Shoe & Lining 1 040-211-00 Secondary Shoe & Lining 2 046-077-00 Shoe Hold Down Spring & Cup 2 049-002-00 Shoe Hold Down Pin 8
8	043-004-00	1	Adjuster Assembly
9	046-018-00	1	Adjusting Screw Spring
10	046-007-00	1	Adjuster Slot Plug
11	007-041-00	4	Brake Mounting Bolt - Press-in
*12	006-017-01	4	Brake Mounting Nut
14	047-116-01	1	LH Parking Lever & Pin Assembly
14	047-117-01	1	RH Parking Lever & Pin Assembly
15	047-118-00	1	Parking Strut
16	046-103-00	1	Parking Strut Spring
17	005-112-00	1	Spring Tension Washer
18	069-055-00	1	Retainer
ns	054-089-00	1	Bleeder Screw (included with item 2)
*ns	071-514-00	1	Park Brake Cable

ns - not shown

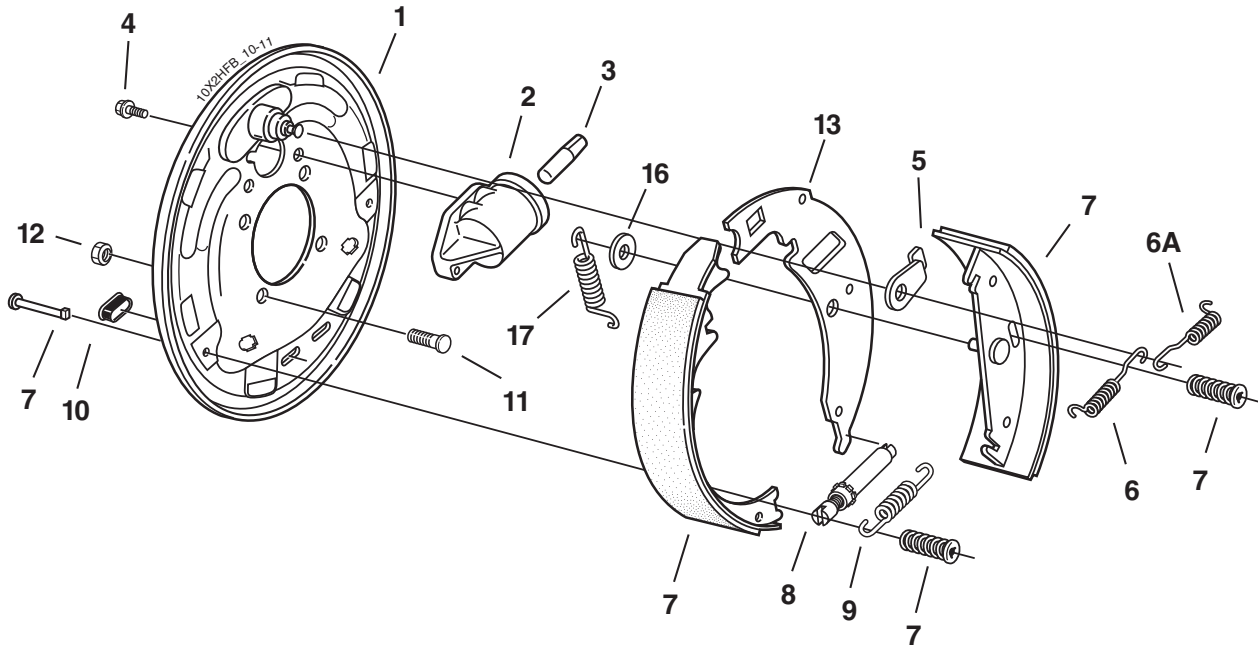
* Not included with complete brake assembly. Item sold separately.

**2300 - 4000 LBS.
CAPACITY**

10" x 2-1/4" 3,500 lbs. Hydraulic Brake Free Backing



CSA approved at 3500 lbs. /14.0 SLR; Uni-Servo



Note: Uni-Servo brakes to be used with surge actuator

Hydraulic Free Backing Brake

Item	Part No.	Qty/Brk	Description
0	K23-344-00	1	LH Complete Brake Assembly-FB
0	K23-345-00	1	RH Complete Brake Assembly-FB (shown)
1	036-094-03	1	Backing Plate Assembly (includes item 11)
2	054-064-00	1	LH Brake Cylinder Uni-Servo
2	054-065-00	1	RH Brake Cylinder Uni-Servo
3	054-060-00	1	Cylinder Push Rod
4	087-001-00	2	Sems (screw & washer assembly)
5	037-069-02	1	Travel Link
6	046-009-00	2	Retractor Spring
6A	046-107-01	1	Shoe Lever Return Spring
7	K71-393-00	1	Shoe & Lining Kit Contains:
	1 040-291-00		Primary Shoe & Lining
	1 040-211-00		Secondary Shoe & Lining
	2 046-077-00		Shoe Hold Down Spring & Cup
	2 049-002-00		Shoe Hold Down Pin 8
8	043-004-00	1	Adjuster Assembly
9	046-083-00	1	Adjusting Screw Spring
10	046-007-00	1	Adjuster Slot Plug
11	007-041-00	4	Brake Mounting Bolt - Press-in
*12	006-017-01	4	Brake Mounting Nut
13	040-240-02	1	Shoe Lever
16	005-064-00	1	Washer
17	046-108-01	1	Primary Shoe Return
ns	054-089-00	1	Bleeder Screw (included with item 2)
*ns	071-514-00	1	Park Brake Cable

ns - not shown

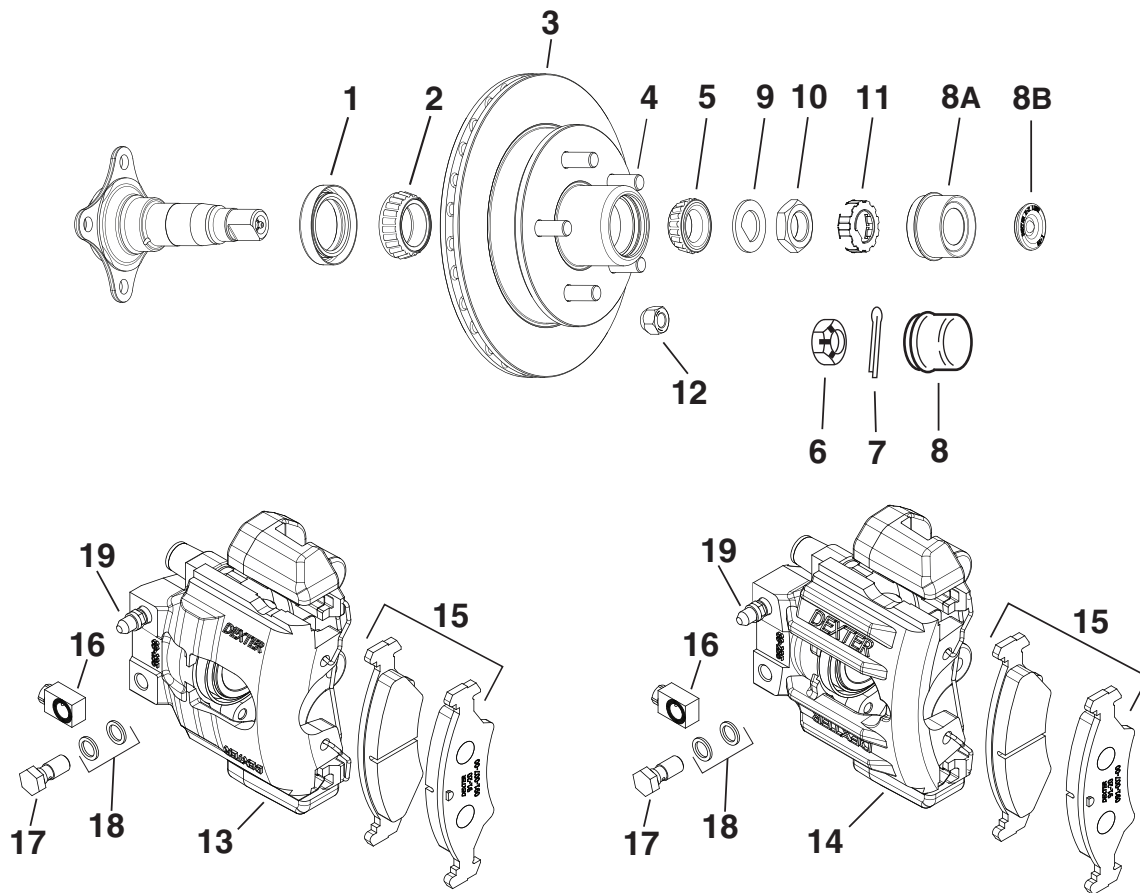
* Not included with complete brake assembly. Item sold separately.

Hydraulic Free Backing Brake Corrosion Resistant

Item	Part No.	Qty/Brk	Description
0	K23-344-01	1	LH Complete Brake Assembly-FB
0	K23-345-01	1	RH Complete Brake Assembly-FB
1	036-094-04	1	Backing Plate Assembly (includes item 11)
2	054-064-01	1	LH Brake Cylinder Uni-Servo
2	054-065-01	1	RH Brake Cylinder Uni-Servo
3	054-060-00	1	Cylinder Push Rod
4	087-001-00	2	Sems (screw & washer assembly)
5	037-069-02	1	Travel Link
6	046-009-01	2	Retractor Spring
6A	046-107-03	1	Shoe Lever Return Spring
7	K71-423-00	1	Shoe & Lining Kit Contains:
	1 040-291-00		Primary Shoe & Lining
	1 040-211-00		Secondary Shoe & Lining
	2 046-077-00		Shoe Hold Down Spring & Cup
	2 049-002-00		Shoe Hold Down Pin 8
8	043-004-02	1	Adjuster Assembly
9	046-083-01	1	Adjusting Screw Spring
10	046-007-00	1	Adjuster Slot Plug
11	007-041-00	4	Brake Mounting Bolt - Press-in
*12	006-017-01	4	Brake Mounting Nut
13	040-240-02	1	Shoe Lever
16	005-064-00	1	Washer
17	046-108-03	1	Primary Shoe Return Spring
ns	054-089-00	1	Bleeder Screw (included with item 2)

2300 - 4000 LBS. CAPACITY

Disc Brake for 3,500 lbs. Axles



Grease Lube Parts

Item	Part No.	Description
1	010-019-00	Grease Seal for E-Z Lube®
2	031-033-02	L68149 Inner Bearing Cone
5	031-031-02	L44649 Outer Bearing Cone
6	006-176-00	Spindle Nut
7	019-002-00	Cotter Pin
8	021-003-00	Grease Cap
8A	021-041-01	Grease Cap for E-Z Lube®
8B	085-001-00	Rubber Plug for E-Z Lube®
9	005-023-00	Spindle Washer
10	006-191-00	Special Jam Nut for E-Z Lube® (after 2002)
11	006-190-00	Spindle Nut Retainer for E-Z Lube® (after 2002)

Disc Brake Calipers

Item	Part No.	Description
ns	089-135-23	LH Integral Zinc Caliper
13	089-135-24	RH Integral Zinc Caliper
ns	089-235-27	LH Integral Alum. Caliper
14	089-235-28	RH Integral Alum. Caliper

ns - not shown

Note: Spindle is not available for resale. Mounting bracket is part of caliper.

Studs & Wheel Nuts

Item	Part No.	Description
4	007-312-00	½-20 Pressed Wheel Stud - 2" Long
4	007-314-00	½-20 Pressed Wheel Stud - 1.75" Long
12	006-080-00	½-20 60° Cone Nut

Caliper design used after 7/2015

Hubs & Rotors

Item	Part No.	Description	Bolt Circle
3	008-435-05	Integral Hub & Rotor 9.75" Zinc Plated	5 on 4.50

Caliper Components

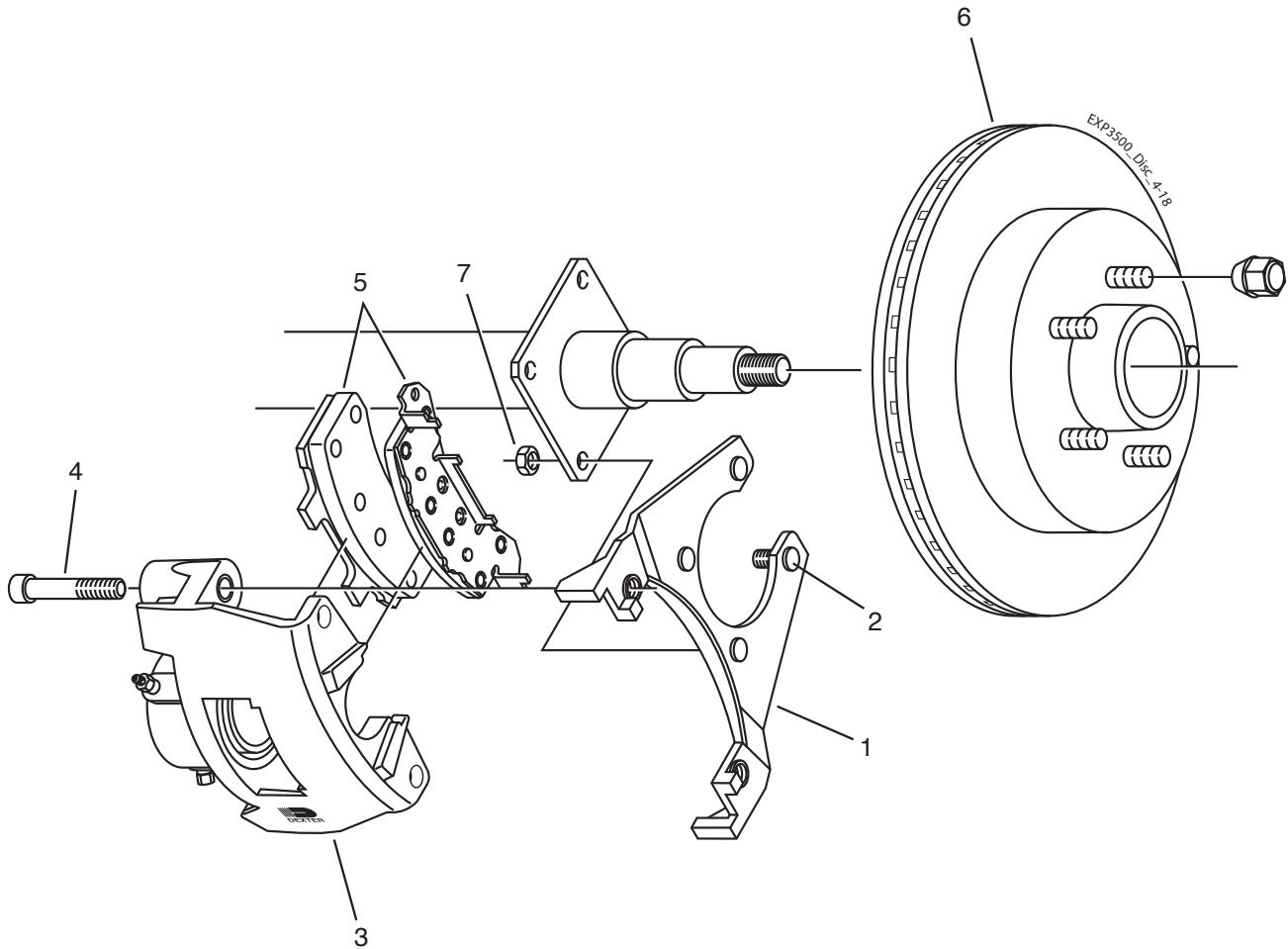
Item	Part No.	Description
15	091-007-00	Brake Pad
16	034-323-00	Banjo Fitting
17	007-307-00	Banjo Bolt
18	005-159-00	Washer
19	054-119-00	Bleeder Screw

**2300 - 4000 LBS.
CAPACITY**

Disc Brake for 3,500 lbs. Axles



2300 - 4000 LBS. CAPACITY



Caliper design used before 7/2015

Disc Brake 3500 lbs.

Item	Part No.	Qty/Brk	Description
1	090-004-01	1	Anchor Yoke Assembly (includes item 2)
2	007-041-00	4	Brake Mounting Bolt - Press-in
3	K71-624-00	1	Caliper Assembly Kit (includes item 5)
4	007-256-00	2	Caliper Mounting Bolt
5	K71-623-00	1	Brake Pad Kit (axle set)
6	K71-626-00	1	Rotor Kit
7	006-017-01	4	Yoke Mounting Nut
ns	054-097-00	1	Bleed Screw & Adapter (service part only)

Disc Brake Hubs & Studs

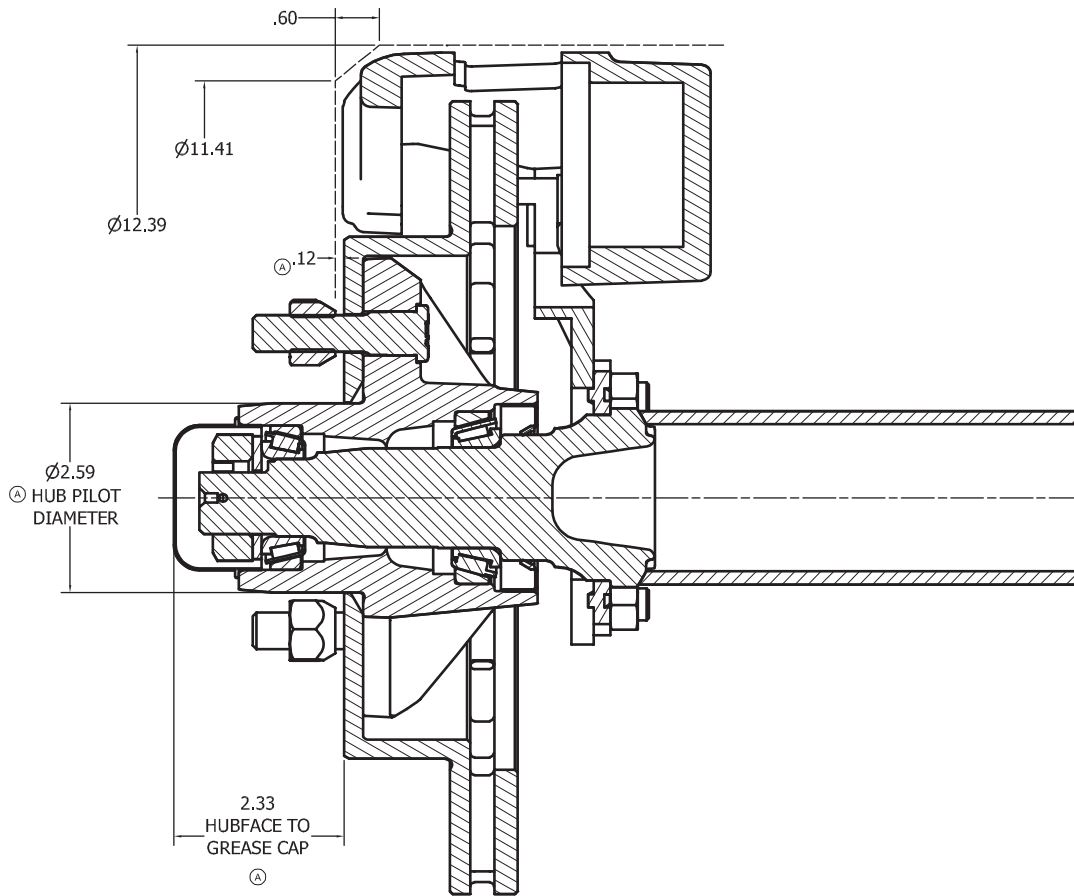
Item	Part No.	Qty/Brk	Description
8	008-248-22	1	1/2" Stud 5 on 4.50
9	007-150-00	5	1/2-20 x 2.09" Wheel Stud
ns	054-095-00	1	Bleeder Screw (included with items 3, 4)

ns - not shown

See page 25 for hub, bearing, grease seal and spindle hardware information.

2300 - 4000 LBS. CAPACITY

Recommended Wheel Clearance for 3,500 lbs. Disc Brake



CAUTION: The above hub/rotor profile shows the minimum clearance needed to ensure that no part of the wheel makes contact with any brake component.

Make sure the wheel is in full contact with the hub face and does not drag against the brake caliper. If there is not full contact with the hub face, you may experience a dangerous wheel separation.

**2300 - 4000 LBS.
CAPACITY**

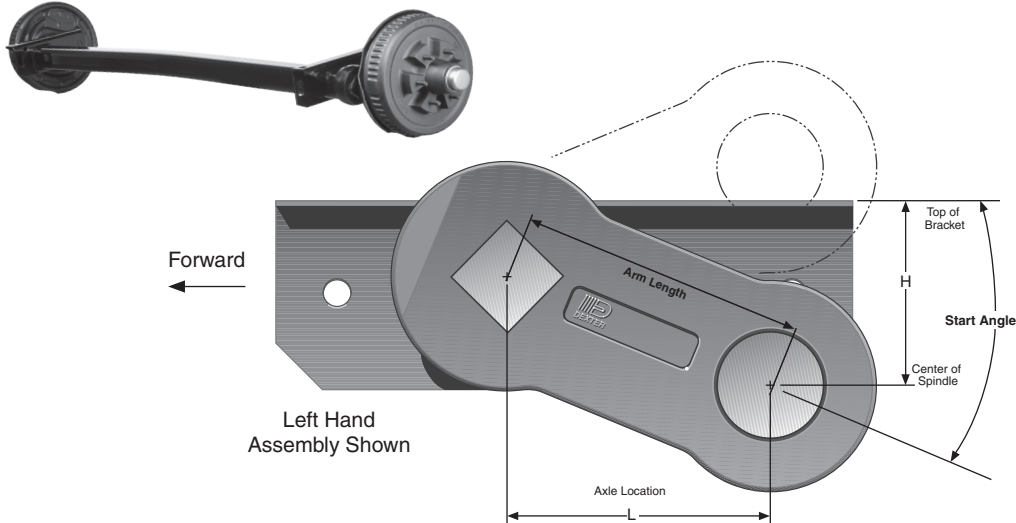
Application Information



4100-6000 LBS. CAPACITY

- Digital service manual available at www.dexteraxle.com
- Precision machined steel spindles and integral cast iron hub/drums
- Press-in wheel studs
- 10" x 2¼" CSA approved electric brakes
- 12" x 2" CSA approved electric brakes
- 12" x 2" hydraulic brakes
- Hydraulic free backing brakes available
- Electric and hydraulic brakes are available with and without parking feature
- Inner wiring system for easier installation and protection of brake wiring
- Standard grease lubrication; E-Z Lube® or Nev-R-Lube® option
- Optional hot dipped galvanized axle beam
- Optional GAL-DEX® coated cast iron hub

Torflex® Application Information



		No	Load	Full	Load	Shock	Load
Start Angle	Bracket Profile	H	L	H	L	H	L
45° Down	Low	6.01	4.24	4.07	5.54	2.94	5.88
	High	6.76	4.24	4.82	5.54	3.69	5.88
32° Down	Low	4.95	5.09	2.76	5.92	1.59	6.00
	High	5.70	5.09	3.51	5.92	2.34	6.00
22.5° Down	Low	4.07	5.54	1.77	6.00	0.60	5.88
	High	4.82	5.54	2.52	6.00	1.35	5.88
10° Down	Low	2.81	5.91	0.47	5.86	-0.65	5.49
	High	3.56	5.91	1.22	5.86	0.10	5.49
0°	Low	1.77	6.00	-0.53	5.54	-1.56	4.99
	High	2.52	6.00	0.22	5.54	-0.81	4.99
10° Up	Low	0.73	5.91	-1.45	5.06	-2.38	4.33
	High	1.48	5.91	-0.70	5.06	-1.63	4.33
22.5° Up	Low	-0.53	5.54	-2.47	4.24	-3.22	3.33
	High	0.22	5.54	-1.72	4.24	-2.47	3.33



ARTICULATION DIMENSIONS

Dimensions are for top mount only. Side mount is .25" higher. Allow 3" bump clearance from full load.

CAUTION: Triple axle assemblies are NOT recommended for #11 Torflex® axles.

H = Height L = Length

Note: Positive numbers in the H column indicate the spindle is BELOW the top of the bracket. Conversely, negative numbers are ABOVE the top of the bracket.

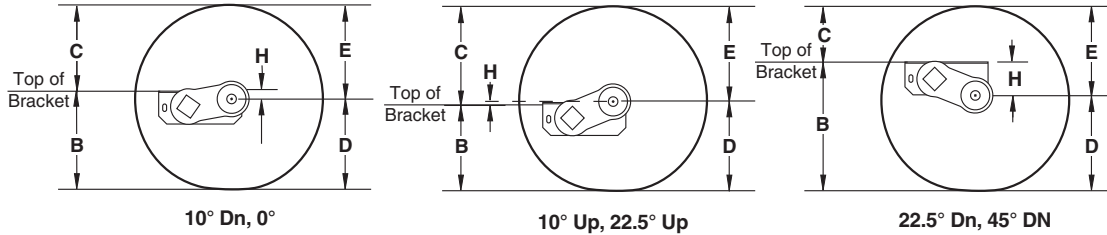
See page 7 for an overview of Torflex®

2300 - 4000 LBS. CAPACITY



FULL LOAD DIMENSIONS

Dimensions are for low profile, top mount only. High profile brackets are .75" higher. Side mount is .25" higher. Allow 3" bump clearance from full load.



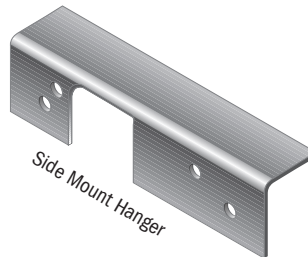
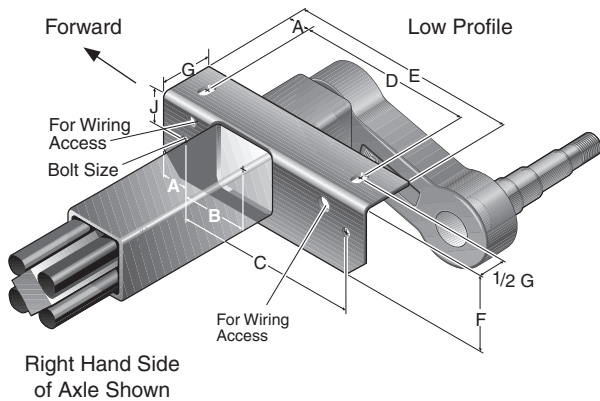
Start Angle

Tire	45° Down					32° Down					22.5° Down		
	D	E	H	B	C	D	E	H	B	C	H	B	C
ST225/75R15	13.0	14.4	4.1	17.1	10.3	13.0	14.4	2.8	15.8	11.6	1.8	14.8	12.6
LT235/85R16	14.3	15.4	4.1	18.4	11.3	14.3	15.4	2.8	17.1	12.6	1.8	16.1	13.6
LT225/75R16	13.5	14.9	4.1	17.6	10.8	13.5	14.9	2.8	16.3	12.1	1.8	15.3	13.1
8.75R16.5LT	13.8	14.8	4.1	17.9	10.7	13.8	14.8	2.8	16.6	12.0	1.8	15.6	13.0

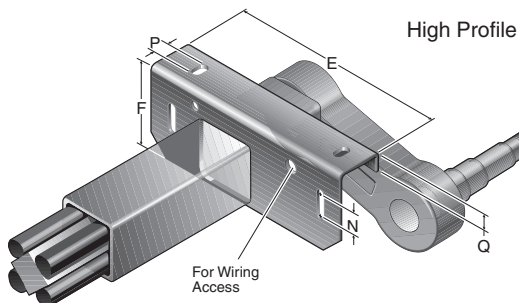
Columns D and E are dimensional examples only:

- D – Static Loaded Radius
- E – Inflated Radius

Tire	10° Down			0°			10° Up			22.5° Up		
	H	B	C	H	B	C	H	B	C	H	B	C
ST225/75R15	0.5	13.5	13.9	-0.5	12.5	14.9	-1.5	11.5	15.9	-2.5	10.5	16.9
LT235/85R16	0.5	14.8	14.9	-0.5	13.8	15.9	-1.5	12.8	16.9	-2.5	11.8	17.9
LT225/75R16	0.5	14.0	14.4	-0.5	13.0	15.4	-1.5	12.0	16.4	-2.5	11.0	17.4
8.75R16.5LT	0.5	14.3	14.3	-0.5	13.3	15.3	-1.5	12.3	16.3	-2.5	11.3	17.3



#11 Bracket Dimensions		
	Low	High
A	.75	.75
B	3.50	3.50
C	9.50	9.50
D	9.00	9.00
E	11.00	11.00
F	3.91	4.66
G	2.50	2.50
J	1.83	1.83
N	----	1.03
P	----	1.00
Q	----	1.00
Bolt Size	5/8" bolt	
Tube Size	3.03	3.03



#11 Overhang Overall		
Spindle	Min.	Max.
Short	14.00"	20.44"
Short - Disc	14.25"	20.50"
Standard	15.00"	20.44"
Standard - Disc	15.00"	20.50"

See page 7 for an overview of Torflex®

2300 - 4000 LBS. CAPACITY

Leaf Spring Application Information



D44, D52 & D60 LEAF SPRING

- High strength 3" diameter tube

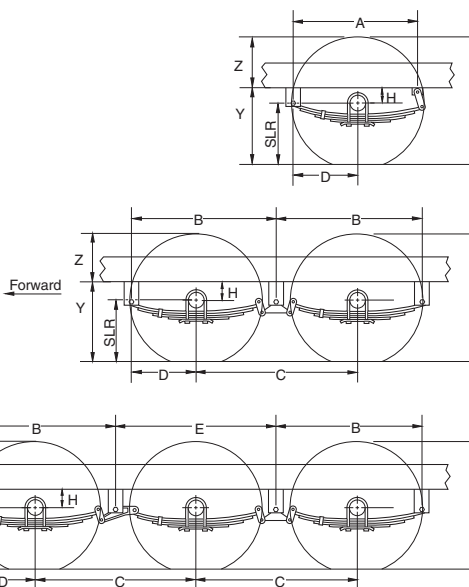


Please See page 8 for an overview of Leaf Spring Suspension

D44 Overhang Overall		
	Min.	Max.
Straight	12.00"	19.00"

D52 Overhang Overall		
	Min.	Max.
Straight	12.75"	19.00"
Straight - Disc	18.00"	19.00"
4" Drop	15.74"	19.00"
Nev-R-Lube®	12.38"	19.00"
Nev-R-Lube - Disc	18.00"	19.00"

D60 Overhang Overall		
	Min.	Max.
Straight	12.75"	20.00"
Straight - Disc	18.00"	21.50"
4" Drop	15.74"	20.00"
Nev-R-Lube®	12.38"	20.00"
Nev-R-Lube - Disc	18.00"	21.50"



Double Eye Springs

For Standard 33" Axle Spacing Single A/P-122-00 Tandem A/P-233-00 Triple A/P-335-00

	Spring Length		
	21"	24"	26"
A	19.62	23.50	25.75
B	25.00	27.50	29.50
C	28.75	31.00	33.00
D	10.62	12.00	13.00
E	28.75	31.00	33.00

For Optional 35" Axle Spacing Tandem A/P-264-00 Triple A/P-364-00

	Spring Length		
	21"	24"	26"
B	26.00	28.50	30.50
C	30.80	33.00	35.00
D	10.62	12.00	13.00
E	30.80	33.00	35.00

Double Eye Axle Assemblies

Hanger Kits			Quantity Per Kit				
Part No.	Description	Height	HGR-104-00 (7,000 lbs. Max)	HGR-105-00 (8,000 lbs. Max)	HGR-248-00 (5,200 lbs. Max)	HGR-249-00 (7,000 lbs. Max)	HGR-348-00 (5,200 lbs. Max)
028-005-00	Hanger	3.25"	2	----	4	2	4
028-006-00	Front Hanger	1.44"	----	2	----	----	----
029-008-00	Front Hanger	2.06"	----	----	----	4	----
029-031-00	Center Hanger	3.62"	----	----	2	----	4
030-020-00	Rear Hanger	0.91"	2	2	----	----	----

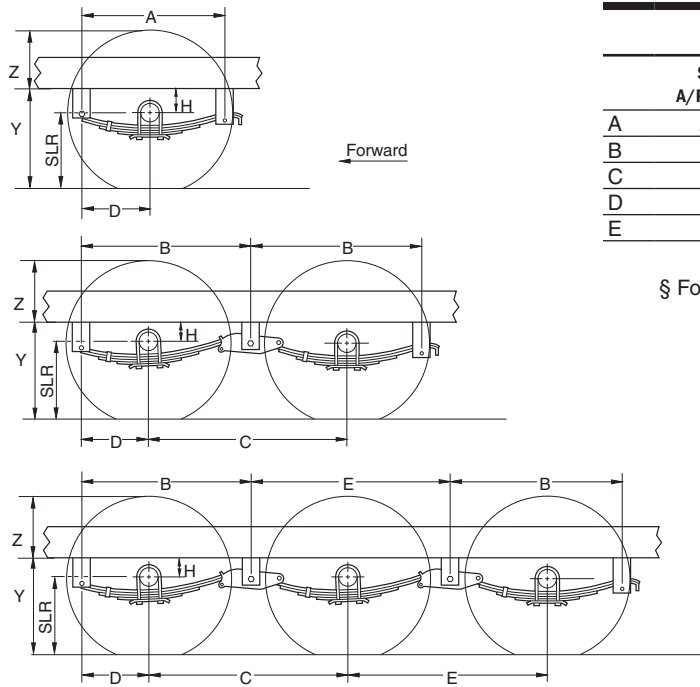
Attaching Parts Kits		A/P-122-00	A/P-233-00	A/P-247-00	A/P-264-00†	A/P-201-00	A/P-335-00	A/P-364-00†
006-007-01	Hex Locknut	----	----	----	----	14	----	----
006-092-01	Flange Locknut	6	14	14	14	----	22	22
007-003-01	Bolt Press-In	----	----	----	----	14	----	----
007-126-01	Shackle Bolt	2	6	6	6	----	10	10
013-010-00	Equalizer	----	----	2	----	----	----	----
013-104-02	Equalizer	----	2	----	----	----	2	----
013-105-02	Equalizer	----	----	----	----	----	2	----
013-122-02	Equalizer	----	----	----	2	----	----	2
013-126-02	Equalizer	----	----	----	----	----	----	2
013-010-00	Equalizer	----	----	----	----	2	----	----
018-011-05	Shackle Link	----	4	4	4	8	6	6
018-012-05	Shackle Link, Long	2	----	----	----	----	----	----
018-020-05	Shackle Link Assembly	----	4	4	4	----	6	6
018-021-05	Shackle Link Assembly, Long	2	----	----	----	----	----	----

†For 35" axle spacing using 26" springs Note: Common A/P kits are available in marine grade coating

Leaf Spring Application Information



**4100-6000 LBS.
CAPACITY**



Slipper Springs					
	Single	Tandem		Triple	
	A/P-103-00	A/P-202-00 [§]	A/P-216-00 [‡]	A/P-302-00 [§]	A/P-316-00 [‡]
A	24.0	----	----	----	----
B	----	28.8	30.4	28.8	30.4
C	----	33.5	36.0	33.5	36.0
D	11.5	11.5	11.5	11.5	11.5
E	----	----	----	33.0	35.0

Note: All 2" wide slipper springs
[§] For 33.5" axle spacing [‡] For 36" axle spacing

A, B, E – Hanger Spacing
 C – Axle Spacing
 D – Axle Location
 H – Center of Spindle
 Y – Frame Height
 Z – Top of Tire to Bottom of Frame
 SLR – Static Load Radius

To determine these values, contact your account manager or distributor to run ProSpec™.

Slipper Spring Axle Assemblies

Hanger Kits		Height	Quantity Per Kit			
Part No.	Description		HGR-110-00 (5,200 lbs. Max)	HGR-202-00 (5,200 lbs. Max)	HGR-302-00 (5,200 lbs. Max)	
028-001-00	Front Hanger	4.25"	2	2	2	
029-001-00	Center Hanger	3.50"	----	2	4	
030-028-00	Rear Hanger	4.00"	2	2	2	
Attaching Parts Kits						
Part No.	Description	A/P-103-00	A/P-202-00 [§]	A/P-216-00 [‡]	A/P-302-00 [§]	A/P-316-00 [‡]
006-007-01	5/16-18 Locknut	2	4	4	6	6
006-011-00	Keeper Nut	2	4	4	6	6
006-111-00	Equalizer Nut	----	2	2	4	4
007-001-01	Equalizer Bolt	----	2	2	4	4
007-007-00	Keeper Bolt	2	4	4	6	6
007-017-00	Spring Eye Bolt	2	4	4	6	6
013-004-00	Equalizer	----	2	----	4	----
013-044-01	Equalizer	----	----	2	----	4

[§] For 33.5" axle spacing

[‡] For 36" axle spacing

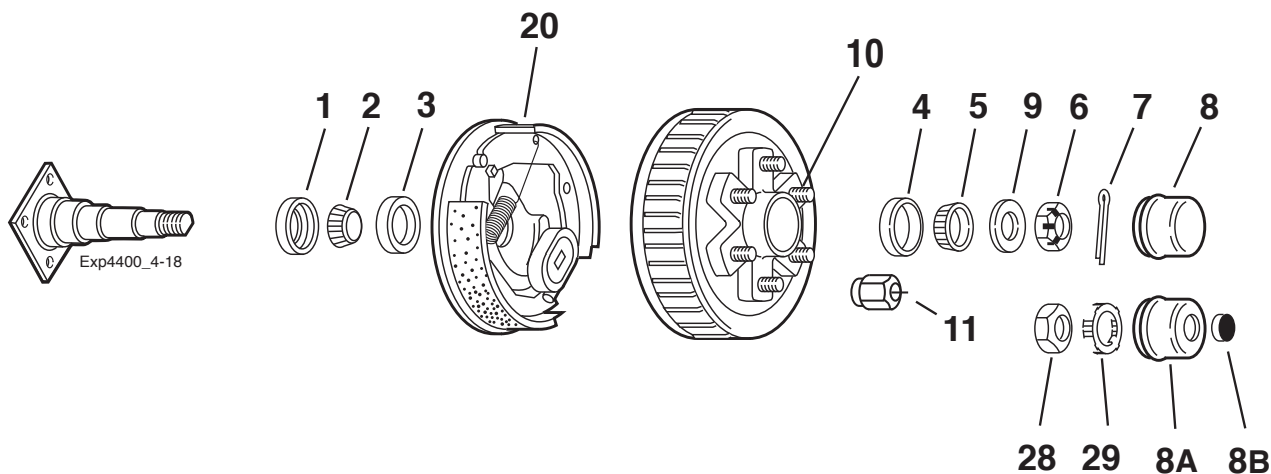
Note: Common A/P kits are available in marine grade coating.

Some combinations of hangers and spring mountings may result in insufficient bump clearance. Please refer to ProSpec information or additional hanger and A/P kits at the end of the catalog.

See page 8 for an overview of Leaf Spring Suspension

**4100-6000 LBS.
CAPACITY**

655 Hub Group - For D44



Grease Lube Parts

Item	Part No.	Description
1	010-019-00	Grease Seal for E-Z Lube®
2	031-033-02	L68149 Inner Bearing Cone
3	031-033-01	L68111 Inner Bearing Cup
4	031-032-01	LM67010 Outer Bearing Cup
5	031-032-02	LM67048 Outer Bearing Cone
6	006-176-00	Spindle Nut
7	019-002-00	Cotter Pin (not used with E-Z Lube®)
8	021-001-00	Grease Cap
8A	021-042-01	Grease Cap for E-Z Lube®
8B	085-001-00	Rubber Plug for E-Z Lube®
9	005-023-00	Spindle Washer
28	006-191-00	Special Jam Nut for E-Z Lube® (after 2002)
29	006-190-00	Spindle Nut Retainer for E-Z Lube® (after 2002)

10" x 2-1/4" Brakes Old Style Before 5/1/09

Item	Part No.	Description
ns	K23-454-00	LH Electric
ns	K23-455-00	RH Electric

10" x 2-1/4" Brakes New Style After 5/1/09

Item	Part No.	Description
20	K23-462-00	LH Electric
20	K23-463-00	RH Electric

ns - not shown

Note: Spindle is not available for resale.

Hubs

Item	Part No.	Description	Bolt Circle
Hubs and Drums			
26	008-407-05	½" Stud	6 on 5.50

Studs & Wheel Nuts

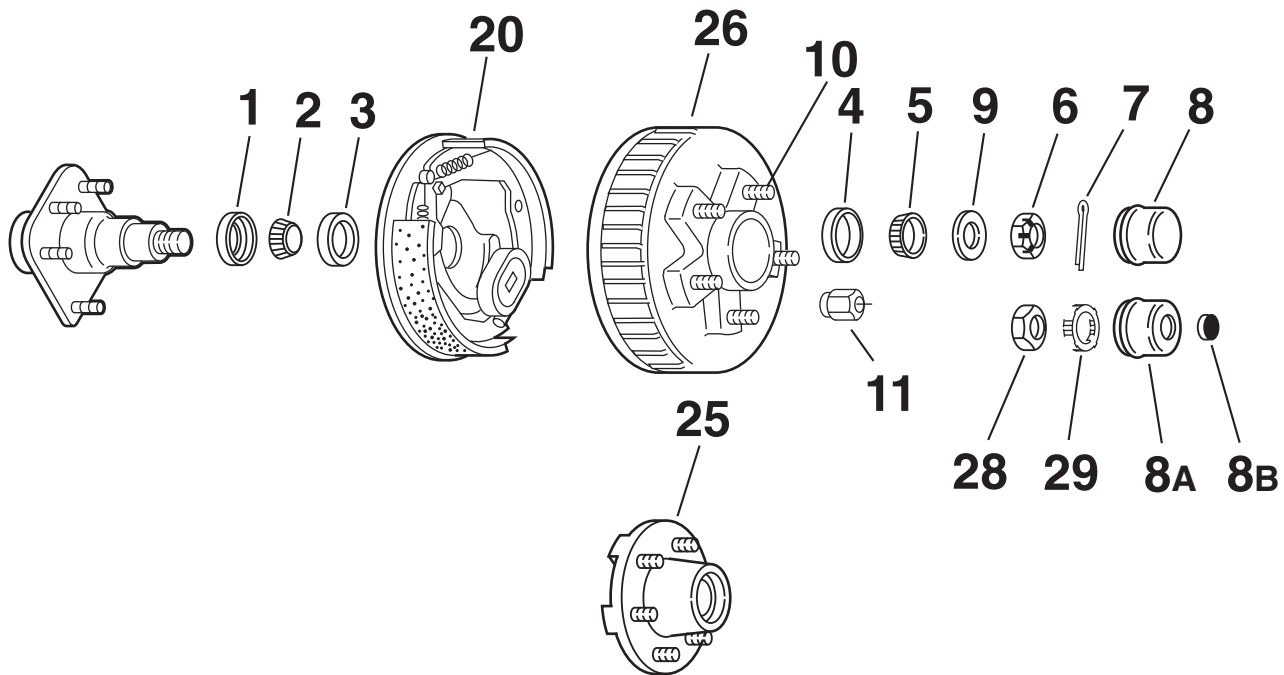
Item	Part No.	Description
10	007-122-00	½-20 x 1.99" long Press-In Stud*
11	006-080-00	½-20 60° Cone Nut

*Stud length measured under lead to end of stud

655 Hub Group - For D52/D60



4100-6000 LBS.
CAPACITY



Grease Lube Parts

Item	Part No.	Description
1	010-036-00	Grease Seal, E-Z Lube® Seal
1	010-063-00	Oil Seal
2	031-030-02	25580 Inner Bearing cone
3	031-030-01	25520 Inner Bearing Cup
4	031-032-01	LM67010 Outer Bearing Cup (for 5,200 lbs.)
5	031-032-02	LM67048 Outer Bearing Cone (for 5,200 lbs.)
4	031-029-01	15245 Outer Bearing Cup (for 6,000 lbs.)
5	031-029-02	15123 Outer Bearing Cone (for 6,000 lbs.)
6	006-176-00	Spindle Nut
7	019-002-00	Cotter Pin (not used with E-Z Lube®)
8	021-001-00	Grease Cap
8A	021-042-01	Grease Cap for E-Z Lube®
8B	085-001-00	Rubber Plug for E-Z Lube®
9	005-023-00	Spindle Washer
28	006-191-00	Special Jam Nut for E-Z Lube® (after 2002)
29	006-190-00	Spindle Nut Retainer for E-Z Lube® (after 2002)

12" x 2" Brakes

Item	Part No.	Description
20	K23-105-00/K23-106-00	LH/RH Electric 6,000 lbs. CSA
ns	K23-112-00/K23-113-00	LH/RH Electric w/park 6,000 lbs. CSA
ns	K23-324-00/K23-325-00	LH/RH Hydraulic Uni-servo
ns	K23-320-00/K23-321-00	LH/RH Hydraulic Uni-servo w/park
ns	K23-322-00/K23-323-00	LH/RH Hydraulic Duo-servo
ns	K23-318-00/K23-319-00	LH/RH Hydraulic Duo-servo w/park
ns	K23-342-00/K23-343-00	LH/RH Hydraulic Free Backing
ns	K23-340-00/K23-341-00	LH/RH Hydraulic Free Backing w/park
ns	K23-342-01/K23-343-01	LH/RH Hydraulic FB Corrosion Resistant
ns	K23-340-01/K23-341-01	LH/RH Hydraulic FB Corrosion Resistant w/park
ns	K23-458-00/K23-459-00	LH/RH Electric Nev-R-Adjust® 6,000 lbs. CSA

ns - not shown

Note: Spindle is not available for resale.

Hubs

Item	Part No.	Description	Bolt Circle
Hubs and Drums			
24	008-201-05	½" Stud for 5,200 lbs.	6 on 5.50
24	008-201-50	½" Stud for 5,200 lbs. GAL-DEX® coated	6 on 5.50
24	008-201-09	½" Stud 15123 bearing for 6,000 lbs.	6 on 5.50
24	008-201-51	½" Stud 15123 bearing for 6,000 lbs. GAL-DEX® coated	6 on 5.50
Plain Hubs			
25	008-213-05	½" Stud for 5,200 lbs.	6 on 5.50
25	008-213-50	½" Stud for 5,200 lbs. GAL-DEX® coated	6 on 5.50
25	008-213-09	½" Stud 15123 bearing for 6,000 lbs.	6 on 5.50
25	008-213-51	½" Stud 15123 bearing for 6,000 lbs. GAL-DEX® coated	6 on 5.50

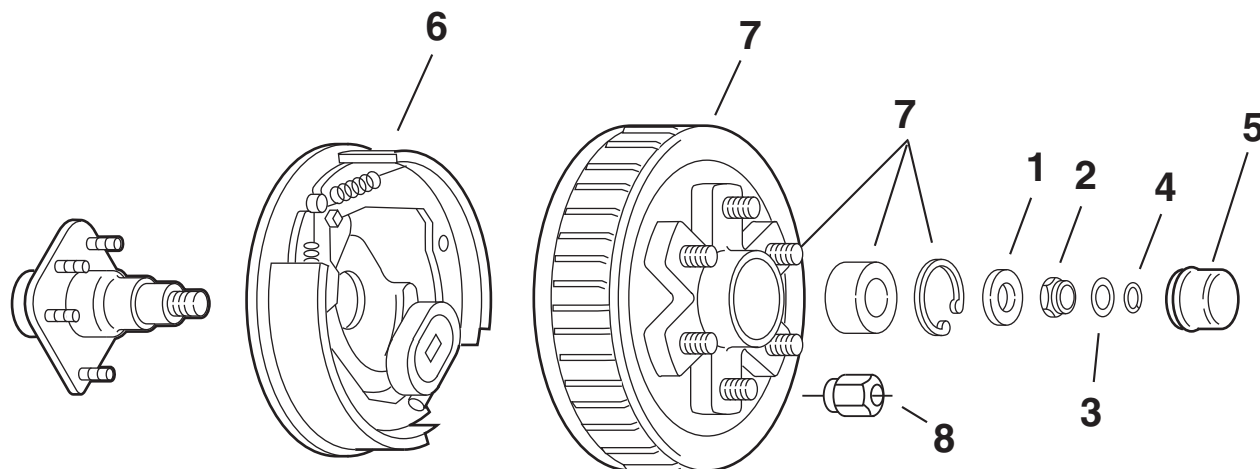
Studs & Wheel Nuts

Item	Part No.	Description
10	007-122-00	½-20 x 1.99 Long Press-in Stud*
10	007-262-00	½-20 x 2.70 Long Press-in Stud* (hub-drum after 2/09)
11	006-080-00	½-20 60° Cone Nut

* Stud length measured under head to end of stud.

8 on 6.5 hubs are available on these axles. See section in 5500-7000 lbs. capacity.

655 Nev-R-Lube® Hub Group



Nev-R-Lube® Parts 42MM & 50MM

Item	Part No.	Description
1	005-147-01	Spindle Washer, 42mm
2	006-183-00	Spindle Nut
3	092-002-00	Washer, Torque Label
4	069-096-00	Snap Ring
5	021-085-00	Hub Cap, 42mm

12" x 2" Brakes

Item	Part No.	Description
6	K23-105-00/K23-106-00	LH/RH Electric, 6,000 lbs. CSA
ns	K23-112-00/K23-113-00	LH/RH Electric w/park, 6,000 lbs. CSA
ns	K23-324-00/K23-325-00	LH/RH Hydraulic Uni-servo, 5,200 lbs.
ns	K23-320-00/K23-321-00	LH/RH Hydraulic Uni-servo w/park, 5,200 lbs.
ns	K23-322-00/K23-323-00	LH/RH Hydraulic Duo-servo, 5,200 lbs.
ns	K23-318-00/K23-319-00	LH/RH Hydraulic Duo-servo w/park, 5,200 lbs.
ns	K23-338-00/K23-339-00	LH/RH Hydraulic Uni-servo, 7,000 lbs.
ns	K23-334-00/K23-335-00	LH/RH Hydraulic Uni-servo w/park, 7,000 lbs.
ns	K23-336-00/K23-337-00	LH/RH Hydraulic Duo-servo, 7,000 lbs.
ns	K23-332-00/K23-333-00	LH/RH Hydraulic Duo-servo w/park, 7,000 lbs.
ns	K23-342-00/K23-343-00	LH/RH Hydraulic Free Backing, 7,000 lbs.
ns	K23-340-00/K23-341-00	LH/RH Hydraulic Free Backing w/park, 7,000 lbs.
ns	K23-458-00/K23-459-00	LH/RH Electric Nev-R-Adjust® CSA

ns - not shown

Note: Spindle is not available for resale.

Hubs With Bearing and Wheel Studs

Item	Part No.	Description	Bolt Circle
7	008-388-80	Hub and Drum includes: 007-122-00 ½-20 Press-in Studs 031-073-03 42mm Bearing Cartridge 069-095-00 Bearing Retainer	6 on 5.50

Wheel Nuts

Item	Part No.	Description
8	006-080-00	½-20 60° Cone Nut

8 on 6.5 hubs are available on these axles. See section in 5500-7000 lbs. capacity.

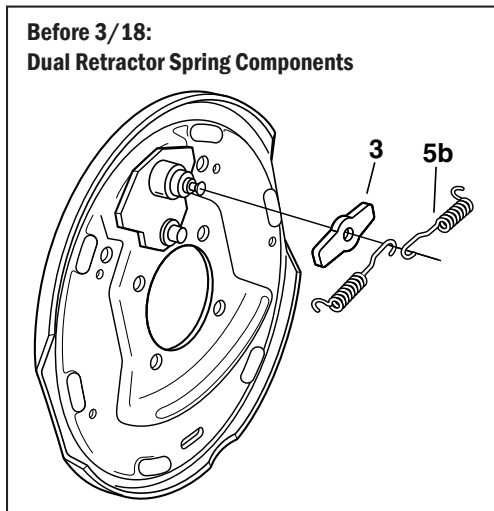
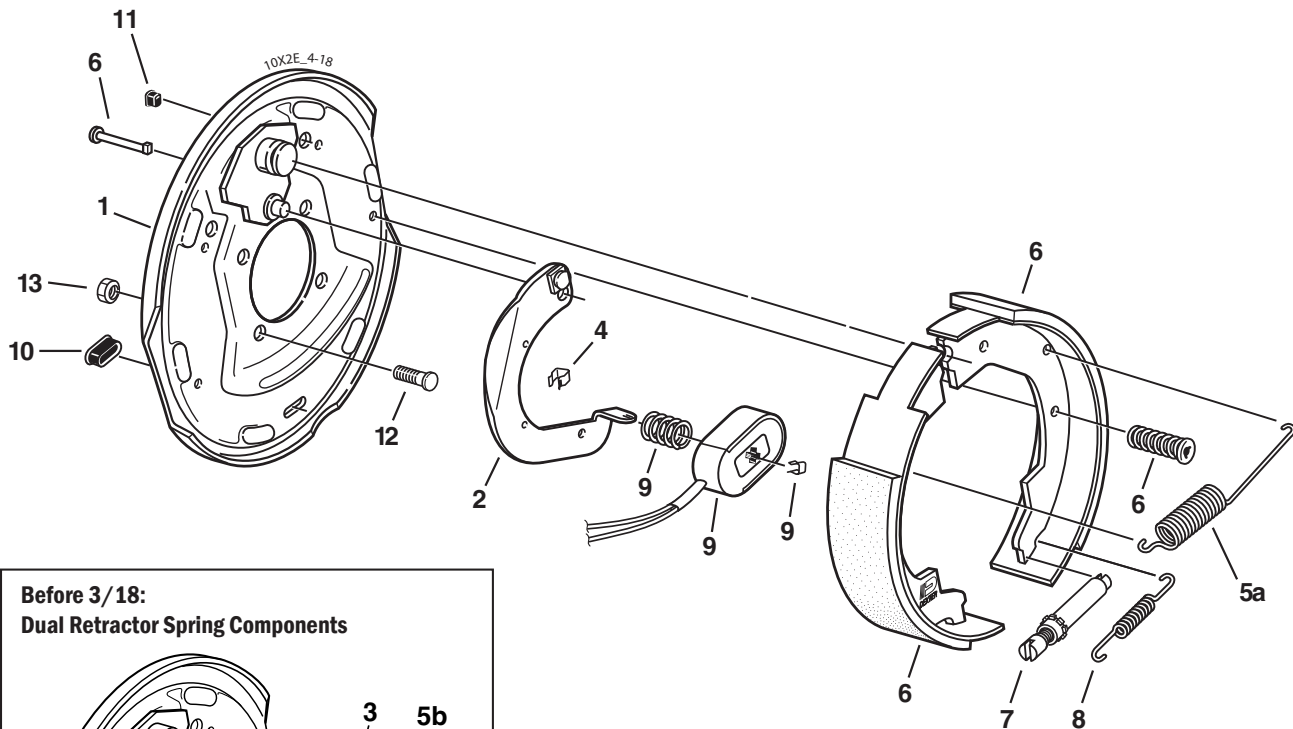
**See page 6 for an overview of
Nev-R-Lube® bearings**

10" x 2-1/4" 4,400 lbs. Electric Brake Manual Adjust



4100-6000 LBS.
CAPACITY

CSA approved at 4400 lbs. / 13.0 SLR



Electric Brake - After 5/1/09

Item	Part No.	Qty/Brk	Description
0	K23-462-00	1	LH Complete Brake Assembly (shown)
0	K23-463-00	1	RH Complete Brake Assembly
1	036-019-19	1	Backing Plate Assembly (after 3/18)
2	047-019-05	1	LH Actuating Lever Arm
2	047-020-05	1	RH Actuating Lever Arm
3	005-067-00	1	Washer (before 3/18)
4	027-005-00	2	Wire Clip
5a	046-056-00	1	Retractor Spring (after 3/18)
5b	046-009-00	2	Retractor Spring (before 3/18)
6	K71-672-00	1	Shoe & Lining Kit Contains: 1 040-361-00 Primary Shoe & Lining 1 040-362-00 Secondary Shoe & Lining 2 049-002-00 Shoe Hold Down Pin 8 2 046-080-00 Shoe Hold Down Spring & Cup
7	043-004-00	1	Adjuster Assembly
8	046-018-00	1	Adjusting Screw Spring
9	K71-125-00	1	Magnet Kit Contains: 1 042-143-00 Magnet (black wire) 1 027-009-00 Magnet Clip 1 046-080-00 Magnet Spring
10	046-007-00	2	Adjuster Slot Plug
11	046-016-00	1	Wire Grommet
12	007-271-00	4	Brake Mounting Bolt - Press-in
*13	006-017-01	4	Brake Mounting Nut

* Not included with complete brake assembly. Item sold separately.

Electric Brake - Before 5/1/09

Item	Part No.	Qty/Brk	Description
ns	K23-454-00	1	LH Complete Brake Assembly
ns	K23-455-00	1	RH Complete Brake Assembly
1	036-019-16	1	Backing Plate Assembly
2	047-019-05	1	LH Actuating Lever Arm
2	047-020-05	1	RH Actuating Lever Arm
3	005-067-00	1	Washer
4	027-005-00	2	Wire Clip
5	046-009-00	2	Retractor Spring
6	K71-672-00	1	Shoe & Lining Kit Contains: 1 040-361-00 Primary Shoe & Lining 1 040-362-00 Secondary Shoe & Lining 2 049-002-00 Shoe Hold Down Pin 8 2 046-077-00 Shoe Hold Down Spring & Cup
7	043-004-00	1	Adjuster Assembly
8	046-018-00	1	Adjusting Screw Spring
9	K71-125-00	1	Magnet Kit Contains: 1 042-143-00 Magnet (black wire) 1 027-009-00 Magnet Clip 1 046-080-00 Magnet Spring (before 7/16) 1 046-175-00 Magnet Spring (after 7/16)
10	046-007-00	2	Adjuster Slot Plug
11	046-016-00	1	Wire Grommet
12	007-271-00	4	Brake Mounting Bolt - Press-in
*13	006-017-01	4	Brake Mounting Nut

ns - not shown

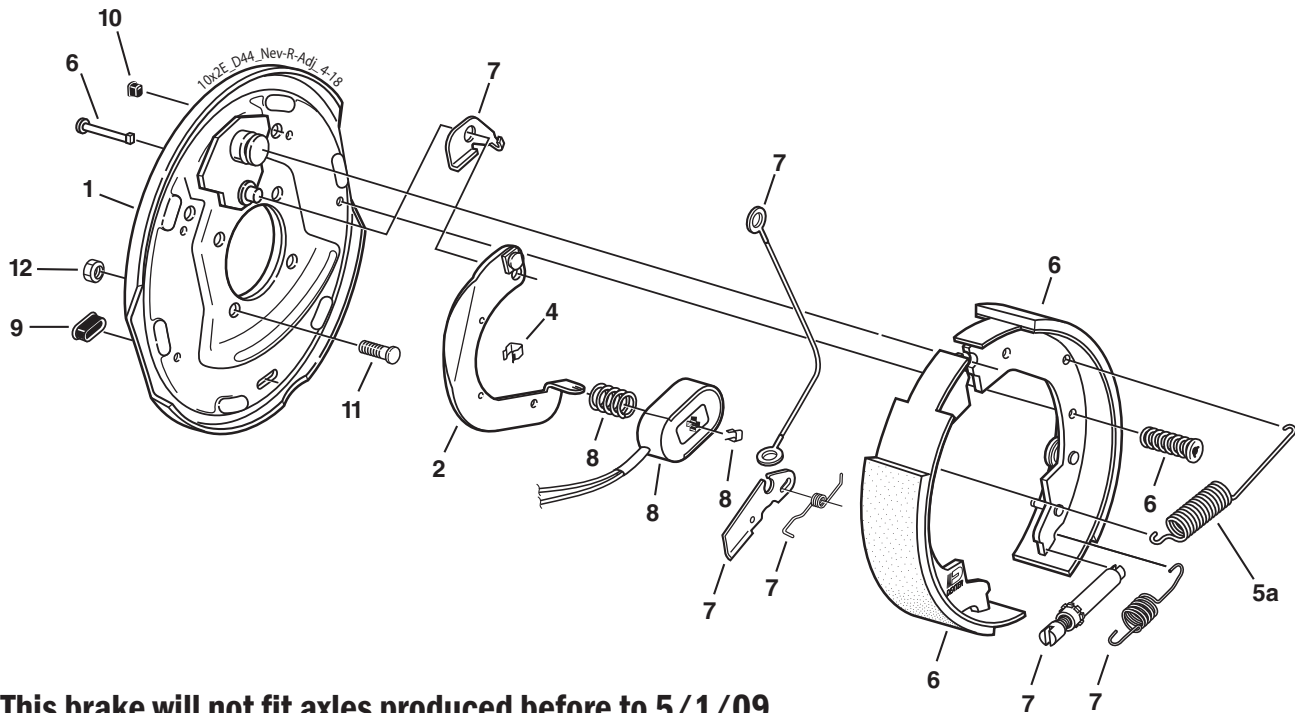
* Not included with complete brake assembly. Item sold separately.

**4100-6000 LBS.
CAPACITY**

10" x 2-1/4" 4,400 lbs. Nev-R-Adjust® Electric Brake



CSA approved at 4400 lbs. / 13.0 SLR



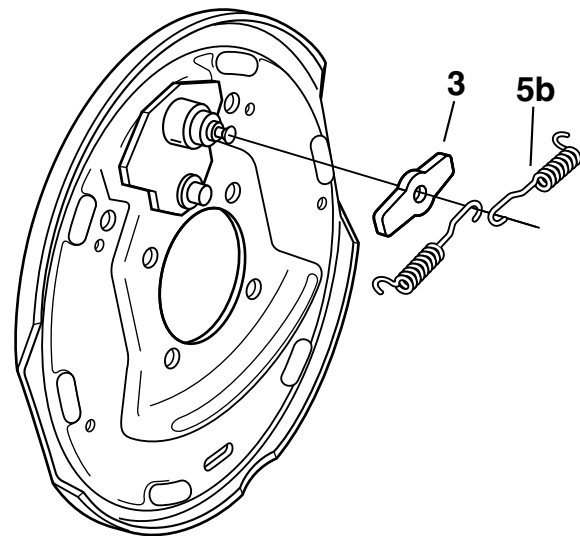
This brake will not fit axles produced before to 5/1/09.

Electric Brake

Item	Part No.	Qty/Brk	Description
0	K23-478-00	1	LH Complete Brake Assembly (shown)
0	K23-479-00	1	RH Complete Brake Assembly
1	036-019-19	1	Backing Plate Assembly (after 3/18)
2	047-019-10	1	LH Actuating Lever Arm
2	047-020-10	1	RH Actuating Lever Arm
3	005-067-00	1	Washer (before 3/18)
4	027-011-00	2	Wire Clip
5a	046-056-00	1	Retractor Spring (after 3/18)
5b	046-009-00	2	Retractor Spring (before 3/18)
6	K71-698-00	1	LH Shoe & Lining Kit Contains: 1 040-379-00 Primary Shoe & Lining 1 040-380-01 Secondary Shoe & Lining 2 049-002-00 Shoe Hold Down Pin 8 2 046-077-00 Shoe Hold Down Spring & Cup
6	K71-699-00	1	RH Shoe & Lining Kit Contains: 1 040-379-00 Primary Shoe & Lining 1 040-380-02 Secondary Shoe & Lining 2 049-002-00 Shoe Hold Down Pin 8 2 046-077-00 Shoe Hold Down Spring & Cup
7	K71-703-00	1	LH & RH Brake Adjuster Kit Contains: 2 046-139-00 Adjusting Screw Spring 1 046-140-00 LH Lever Spring 1 046-141-00 RH Lever Spring 1 048-022-00 LH Adjuster Assembly 1 048-023-00 RH Adjuster Assembly 2 071-529-00 Hook for Cable 1 071-532-01 LH Adjusting Lever 1 071-532-02 RH Adjusting Lever 2 071-533-00 Adjuster Cable 1 071-655-01 LH Cable Lever 1 071-655-02 RH Cable Lever 2 071-656-00 Adjuster Cable
8	K71-125-00	1	Magnet Kit Contains: 1 042-143-00 Magnet (black wire) 1 027-009-00 Magnet Clip 1 046-080-00 Magnet Spring (before 7/16) 1 046-175-00 Magnet Spring (after 7/16)
9	046-007-00	2	Adjuster Slot Plug
10	046-016-00	1	Wire Grommet
11	007-271-00	4	Brake Mounting Bolt - Press-in
*12	006-017-01	4	Brake Mounting Nut

* Not included with complete brake assembly. Item sold separately.

Before 3/18: Dual Retractor Spring Components



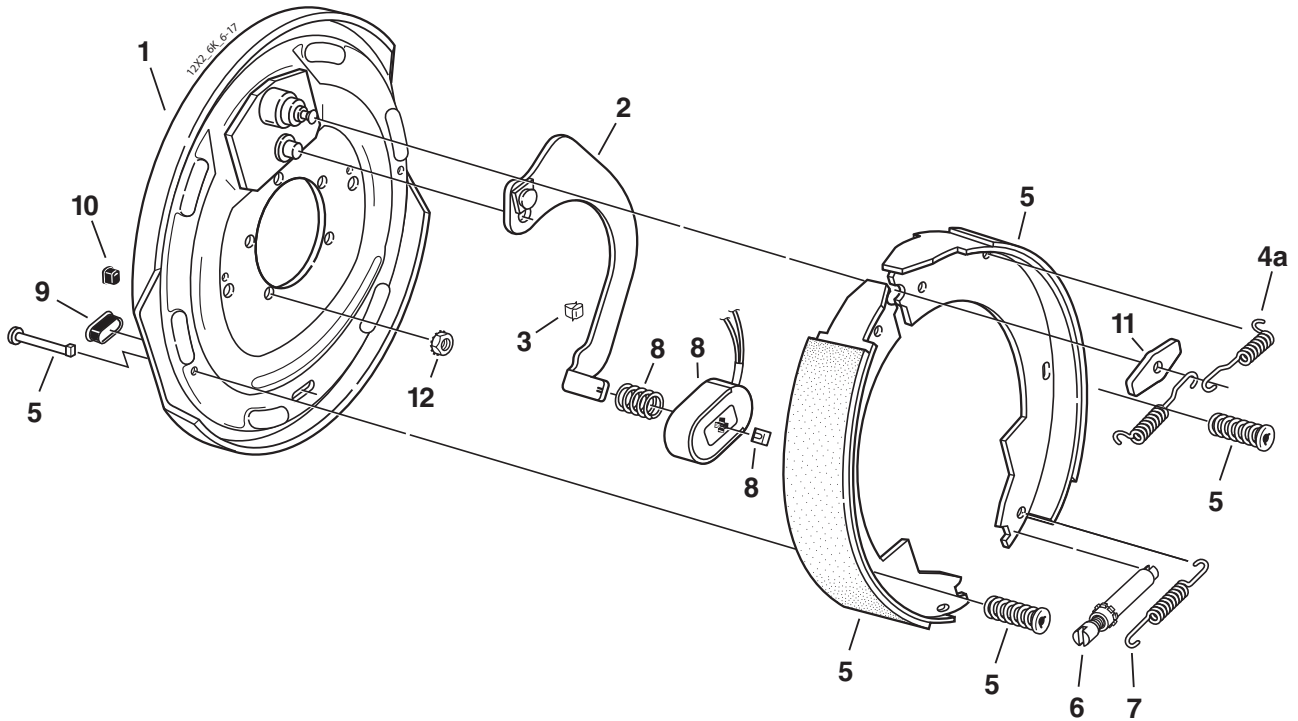
**See page 5 for an overview of the
Nev-R-Adjust® electric brakes**

12" x 2" 6,000 lbs. Electric Brake



**4100-6000 LBS.
CAPACITY**

CSA approved at 6000 lbs. / 14.2 SLR

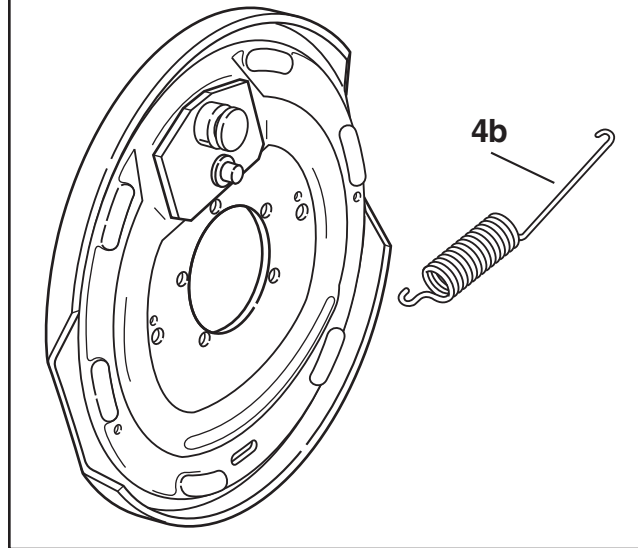


Electric Brake 6000 lbs. (CSA 6000 lbs.)

Item	Part No.	Qty/Brk	Description
0	K23-105-00	1	LH Complete Brake Assembly
0	K23-106-00	1	RH Complete Brake Assembly (shown)
1	036-089-10	1	Backing Plate Assembly (after 3/18)
2	047-107-05	1	LH Actuating Lever Arm Assembly
2	047-108-05	1	RH Actuating Lever Arm Assembly
3	027-005-00	2	Wire Clip
4a	046-009-00	2	Retractor Spring (before 3/18 and after 11/19)
4b	046-005-00	1	Retractor Spring (between 3/18 - 11/19)
5	K71-127-00	1	Shoe & Lining Kit Contains: 1 040-215-00 Primary Shoe & Lining 1 040-216-00 Secondary Shoe & Lining 2 049-002-00 Shoe Hold Down Pin 2 2 046-077-00 Shoe Hold Down Spring & Cup
6	043-004-00	1	Adjuster Assembly
7	046-018-00	1	Adjusting Screw Spring
8	K71-105-00	1	Magnet Kit Contains: 1 042-149-00 Magnet (white wire) 1 027-009-00 Magnet Clip 1 046-080-00 Magnet Spring (before 7/16) 1 046-175-00 Magnet Spring (after 7/16)
9	046-007-00	2	Adjuster Slot Plug
10	046-016-00	1	Wire Grommet
11	005-067-00	1	Anchor Post Washer (before 3/18)
*12	006-193-00	5	Nut Washer Assembly

* Not included with complete brake assembly. Item sold separately.

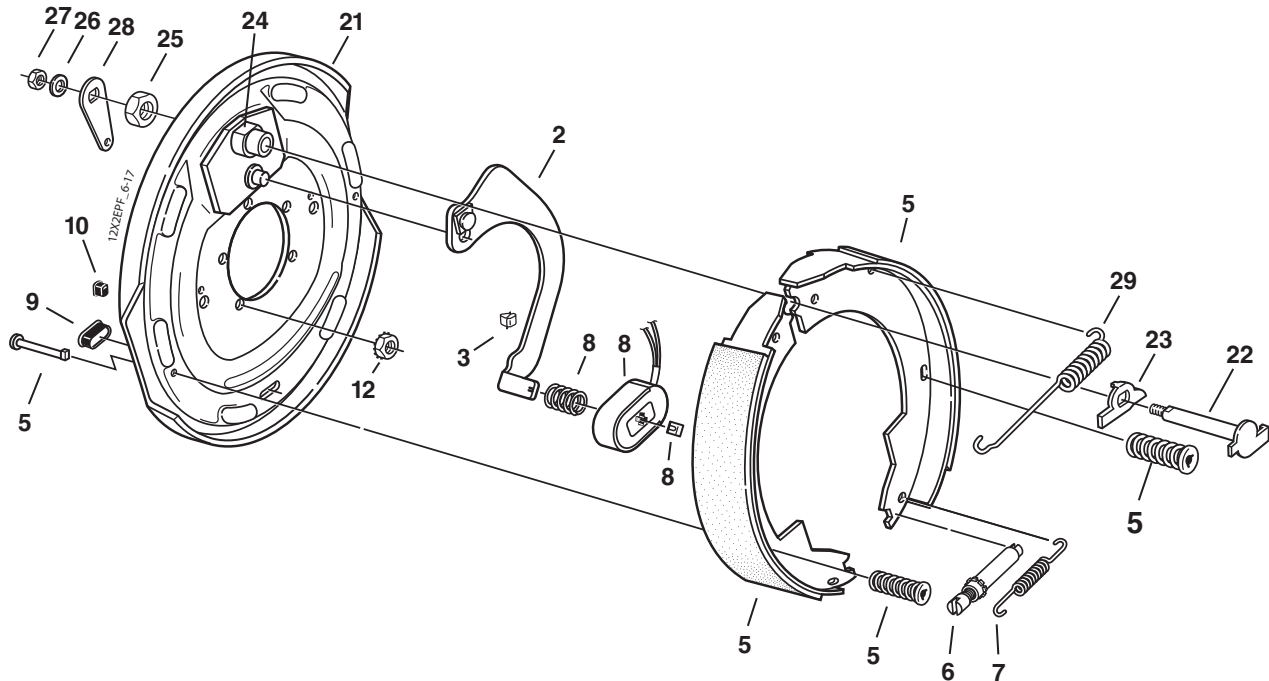
Between 3/18 - 11/19 Single Retractor Spring Components



12" x 2" 6,000 lbs. Electric Brake With Parking Feature



CSA approved at 6000 lbs. /14.2 SLR



Electric Parking Brake 6000 lbs. (CSA 6000 lbs.)

Item	Part No.	Qty/Brk	Description
0	K23-112-00	1	LH Complete Brake Assembly
0	K23-113-00	1	RH Complete Brake Assembly (shown)
2	047-107-05	1	LH Actuating Lever Arm Assembly
2	047-108-05	1	RH Actuating Lever Arm Assembly
3	027-005-00	2	Wire Clip
5	K71-127-00	1	Shoe & Lining Kit Contains: 1 040-215-00 Primary Shoe & Lining 1 040-216-00 Secondary Shoe & Lining 2 049-011-00 Shoe Hold Down Pin 2 2 046-077-00 Shoe Hold Down Spring & Cup
6	043-004-00	1	Adjuster Assembly
7	046-018-00	1	Adjusting Screw Spring
8	K71-105-00	1	Magnet Kit Contains: 1 042-149-00 Magnet (white wire) 1 027-009-00 Magnet Clip 1 046-080-00 Magnet Spring (before 7/16) 1 046-175-00 Magnet Spring (after 7/16)
9	046-007-00	2	Adjuster Slot Plug
10	046-016-00	1	Wire Grommet
*12	006-193-00	5	Nut Washer Assembly
20	036-089-08	1	LH Backing Plate Assembly Complete (includes 21-28)
20	036-089-09	1	RH Backing Plate Assembly Complete (includes 21-28)
21	036-089-06	1	LH Backing Plate Assembly
21	036-089-07	1	RH Backing Plate Assembly
22	039-025-00	1	LH Pivot Pin & Cam Sub-Assembly
22	039-026-00	1	RH Pivot Pin & Cam Sub-Assembly
23	039-048-00	1	LH Actuating Cam
23	039-049-00	1	RH Actuating Cam
24	038-068-00	1	Anchor Post & Bushing Sub-Assembly
25	006-047-00	1	Anchor Post Locknut
26	005-041-00	1	Washer
27	006-011-00	1	Pivot Pin Locknut
28	047-070-00	1	Parking Brake Lever
29	046-005-00	1	Retractor Spring

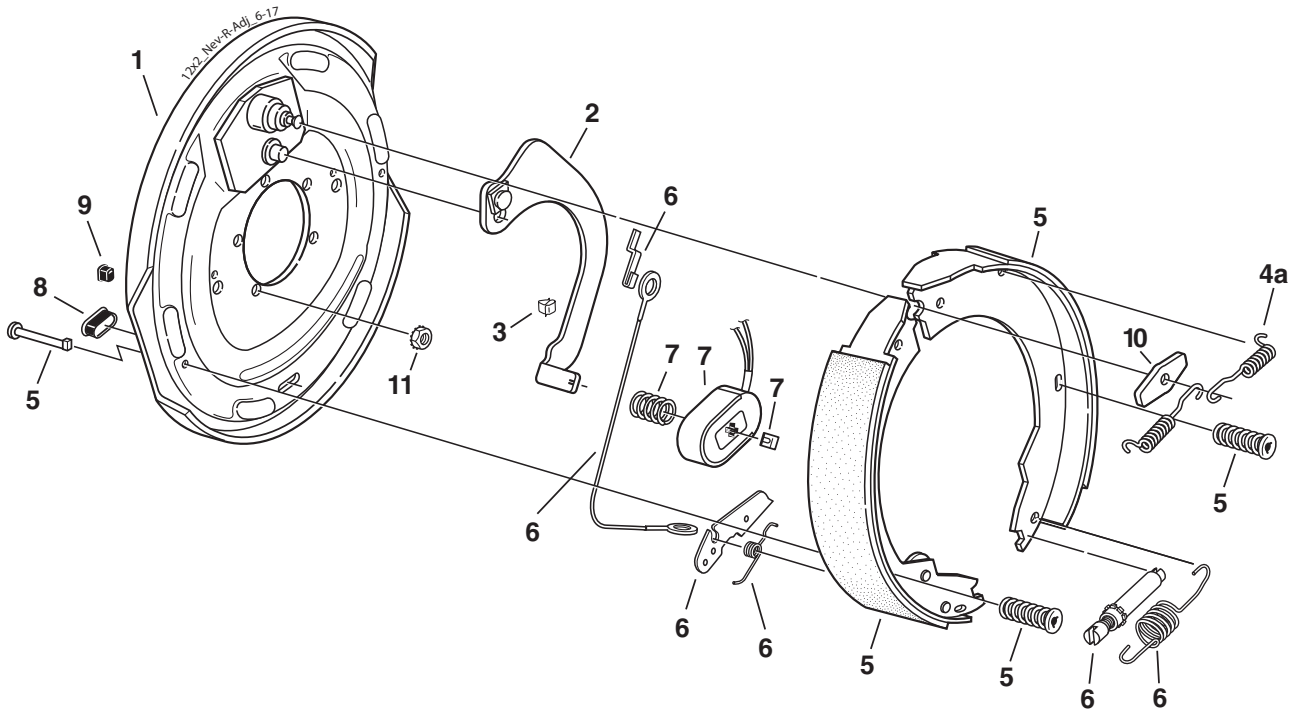
* Not included with complete brake assembly. Item sold separately.

12" x 2" 6,000 lbs. Nev-R-Adjust® Electric Brake



**4100-6000 LBS.
CAPACITY**

CSA approved at 6000 lbs. / 14.2 SLR

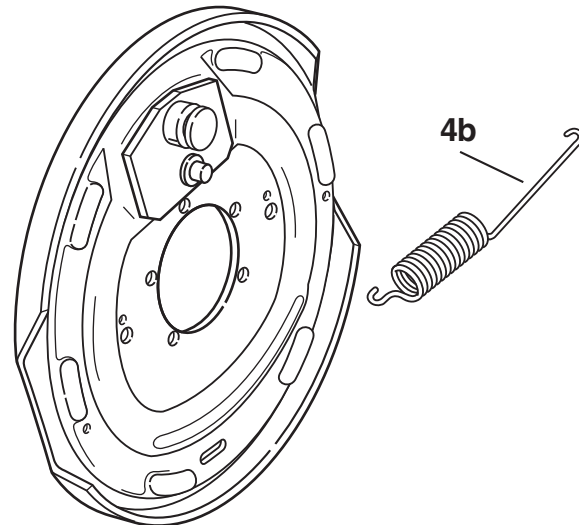


Electric Brake 6000 lbs. (CSA 6000 lbs.)

Item	Part No.	Qty/Brk	Description
0	K23-458-00	1	LH Complete Brake Assembly
0	K23-459-00	1	RH Complete Brake Assembly (shown)
1	036-089-10	1	Backing Plate Assembly (after 3/18)
2	047-107-05	1	LH Actuating Lever Arm Assembly
2	047-108-05	1	RH Actuating Lever Arm Assembly
3	027-005-00	2	Wire Clip
4a	046-009-00	2	Retractor Spring (before 3/18 and after 11/19)
4b	046-005-00	1	Retractor Spring (Between 3/18 - 11/19)
5	K71-675-00	1	LH Shoe & Lining Kit Contains: 1 040-215-00 Primary Shoe & Lining 1 040-216-01 Secondary Shoe & Lining 2 049-002-00 Shoe Hold Down Pin 2 2 046-077-00 Shoe Hold Down Spring & Cup
5	K71-676-00	1	RH Shoe & Lining Kit Contains: 1 040-215-00 Primary Shoe & Lining 1 040-216-02 Secondary Shoe & Lining 2 049-002-00 Shoe Hold Down Pin 2 2 046-077-00 Shoe Hold Down Spring & Cup
6	K71-679-00	1	LH & RH Brake Adjuster Kit Contains: 2 046-139-00 Adjusting Screw Spring 1 046-140-00 LH Lever Spring 1 046-141-00 RH Lever Spring 1 048-022-00 LH Adjuster Assembly 1 048-023-00 RH Adjuster Assembly 2 071-528-00 Adjuster Cable 2 071-529-00 Hook for Cable 1 071-530-01 LH Adjusting Lever 1 071-530-02 RH Adjusting Lever
7	K71-105-00	1	Magnet Kit Contains: 1 042-149-00 Magnet (white wire) 1 027-009-00 Magnet Clip 1 046-080-00 Magnet Spring (before 7/16) 1 046-175-00 Magnet Spring (after 7/16)
8	046-007-00	2	Adjuster Slot Plug
9	046-016-00	1	Wire Grommet
10	005-067-00	1	Anchor Post Washer (before 3/18)
*11	006-193-00	5	Nut Washer Assembly

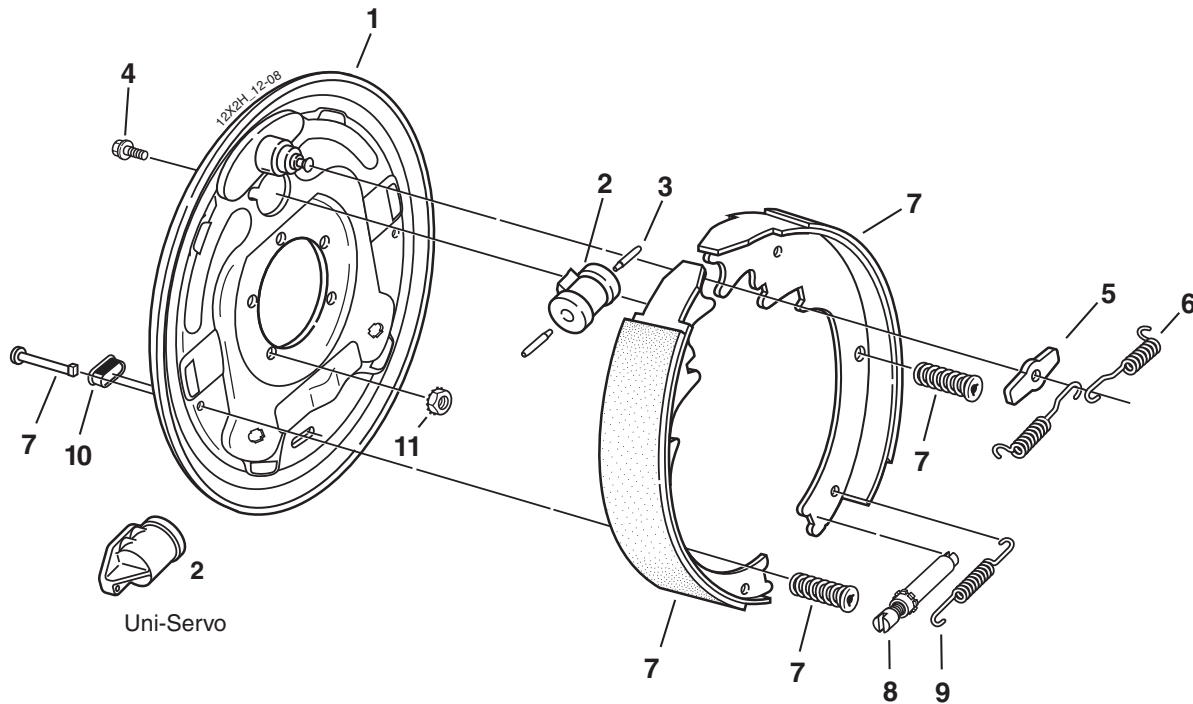
* Not included with complete brake assembly. Item sold separately.

Between 3/18 - 11/19 Single Retractor Spring Components



**See page 5 for an overview of the
Nev-R-Adjust® electric brakes**

12" x 2" 5,200 lbs. Hydraulic Brake



Note: Uni-Servo brakes to be used with surge actuator

Hydraulic Brake 5200 lbs.

Item	Part No.	Qty/Brk	Description
0	K23-322-00	1	LH Complete Brake Assembly-DS
0	K23-323-00	1	RH Complete Brake Assembly-DS (shown)
0	K23-324-00	1	LH Complete Brake Assembly-US
0	K23-325-00	1	RH Complete Brake Assembly-US (shown)
1	036-093-03	1	Backing Plate Assembly
2	054-062-00	1	LH Brake Cylinder Duo-Servo
2	054-063-00	1	RH Brake Cylinder Duo-Servo
2	054-064-00	1	LH Brake Cylinder Uni-Servo
2	054-065-00	1	RH Brake Cylinder Uni-Servo
3	054-060-00	1 or 2	Cylinder Push Rod US (1) DS (2)
4	087-001-00	2	Sems (screw & washer assembly)
5	005-113-00	1	Anchor Post Washer
6	046-101-00	2	Retractor Spring
7	K71-268-00	1	Shoe & Lining Kit Contains: 1 040-204-00 Primary Shoe & Lining 1 040-206-00 Secondary Shoe & Lining 2 046-077-00 Shoe Hold Down Spring & Cup 2 049-012-00 Shoe Hold Down Pin 4
8	043-029-00	1	Adjuster Assembly
9	046-102-00	1	Adjusting Screw Spring
10	046-007-00	1	Adjuster Slot Plug
*11	006-193-00	5	Nut Washer Assembly
ns	054-089-00	1	Bleeder Screw (included with item 2)

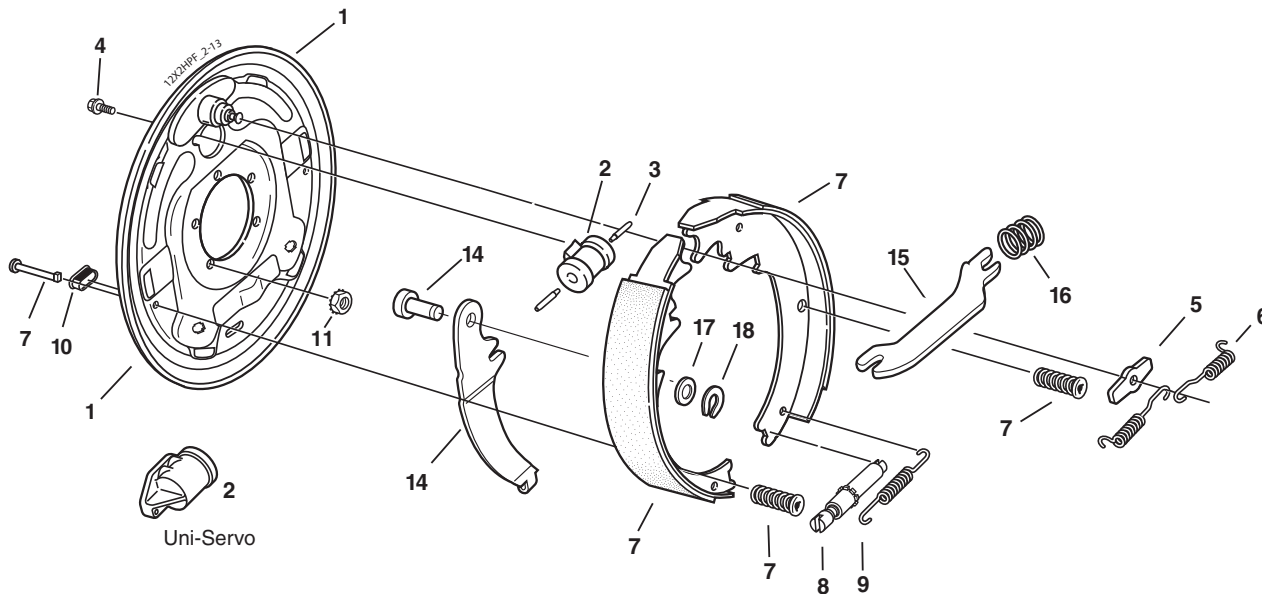
ns - not shown

* Not included with complete brake assembly. Item sold separately.

12" x 2" 5,200 lbs. Hydraulic Brake With Parking Feature



**4,100-6,000 LBS.
CAPACITY**



Note: Uni-Servo brakes to be used with surge actuator

Hydraulic Parking Brake 5200 lbs.

Item	Part No.	Qty/Brk	Description
0	K23-318-00	1	LH Complete Brake Assembly-DS
0	K23-319-00	1	RH Complete Brake Assembly-DS (shown)
0	K23-320-00	1	LH Complete Brake Assembly-US
0	K23-321-00	1	RH Complete Brake Assembly-US (shown)
1	036-093-19	1	LH Backing Plate Assembly
1	036-093-20	1	RH Backing Plate Assembly
2	054-062-00	1	LH Brake Cylinder Duo-Servo
2	054-063-00	1	RH Brake Cylinder Duo-Servo
2	054-064-00	1	LH Brake Cylinder Uni-Servo
2	054-065-00	1	RH Brake Cylinder Uni-Servo
3	054-060-00	1 or 2	Cylinder Push Rod US (1) DS (2)
4	087-001-00	2	Sems (screw & washer assembly)
5	005-113-00	1	Anchor Post Washer
6	046-101-00		Retractor Spring
7	K71-268-00	1	Shoe & Lining Kit Contains: 1 040-204-00 Primary Shoe & Lining 1 040-206-00 Secondary Shoe & Lining 2 046-077-00 Shoe Hold Down Spring & Cup 2 049-012-00 Shoe Hold Down Pin 4
8	043-029-00	1	Adjuster Assembly
9	046-102-00	1	Adjusting Screw Spring
10	046-007-00	1	Adjuster Slot Plug
*11	006-193-00	5	Nut Washer Assembly
14	047-110-01	1	LH Parking Lever and Pin
14	047-111-01	1	RH parking Lever and Pin
15	047-109-00	1	Parking Strut
16	046-103-00	1	Parking Strut Spring
17	005-112-00	1	Spring Tension Washer
18	069-055-00	1	Retainer
ns	054-089-00	1	Bleeder Screw (included with item 2)
*ns	071-515-00	1	Park Brake Cable

ns - not shown

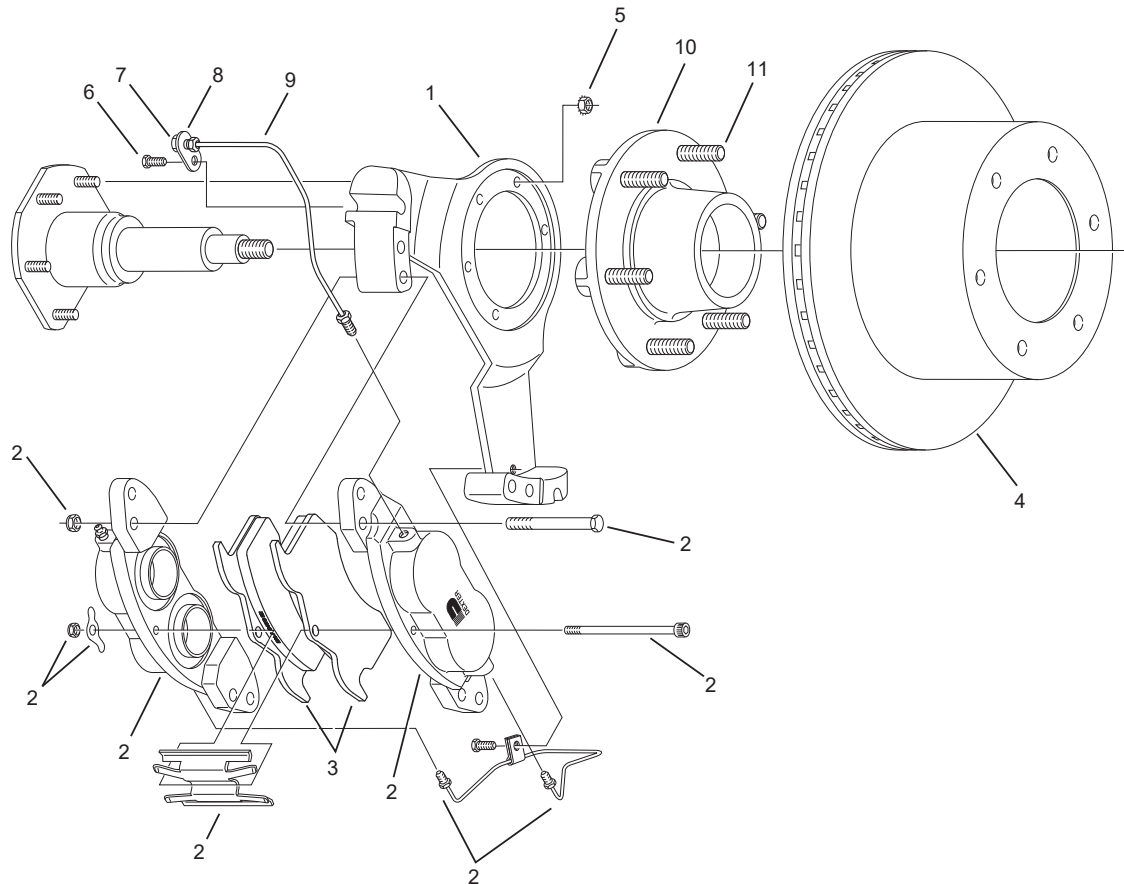
* Not included with complete brake assembly. Item sold separately.

Disc Brake for 6,000 lbs. Axles



Service Parts Only

CSA approved at 6000 lbs. / 14.3 SLR



Disc Brake 6000 lbs.

Item	Part No.	Qty/Brk	Description
1	090-005-01	1	LH Anchor Yoke
1	090-005-02	1	RH Anchor Yoke (shown)
2	K71-636-00	1	Caliper Assembly Kit for LH or RH Contains:
	4 006-045-00		Caliper Mounting Nut
	1 006-289-00		Nut
	4 007-254-00		Caliper Mounting Bolt
	1 007-469-00		Hex Bolt
	1 019-019-00		Cotter Ring
	1 027-060-00		Tube Clamp
	1 046-145-00		Anti-Rattle Spring
	1 046-218-00		Spring Tension Clip
	1 054-092-00		Bleeder Screw
	1 054-094-00		Adapter Fitting
	1 071-513-00		Cross Over Hydraulic Line (yokes without notch)
	1 071-517-00		Cross Over Hydraulic Line (yokes with notch)
	1 087-002-00		Hex Bolt
	2 089-005-06		Assembled Caliper Half
6	087-002-00	1	Hex Bolt
7	071-A73-00	1	Brass Union Fitting 3/16" to 3/16" Inverted Flare
8	070-031-01	1	Brake Line Mounting Plate
9	071-840-00	1	RH Brake Line Remote Inlet
9	071-841-00	1	LH Brake Line Remote Inlet
3	K71-629-00	1	Brake Pad Kit (axle set)
4	K71-637-00	1	Rotor Kit
5	006-193-00	5	3/8" Brake Mounting Nut-Washer Assembly

Disc Brake 6000 lbs. With 42MM Nev-R-Lube®

Item	Part No.	Qty/Brk	Description
1	090-006-01	1	LH Anchor Yoke
1	090-006-02	1	RH Anchor Yoke
2	K71-636-00	1	Caliper Assembly Kit for LH or RH Contains:
	4 006-045-00		Caliper Mounting Nut
	1 006-289-00		Nut
	4 007-254-00		Caliper Mounting Bolt
	1 007-469-00		Hex Bolt
	1 019-019-00		Cotter Ring
	1 027-060-00		Tube Clamp
	1 046-145-00		Anti-Rattle Spring
	1 046-218-00		Spring Tension Clip
	1 054-092-00		Bleeder Screw
	1 054-094-00		Adapter Fitting
	1 071-513-00		Cross Over Hydraulic Line (yokes without notch)
	1 071-517-00		Cross Over Hydraulic Line (yokes with notch)
	1 087-002-00		Hex Bolt
	2 089-005-06		Assembled Caliper Half
6	087-002-00	1	Hex Bolt
7	071-A73-00	1	Brass Union Fitting 3/16" to 3/16" Inverted Flare
8	070-031-01	1	Brake Line Mounting Plate
9	071-840-00	1	RH Brake Line Remote Inlet
9	071-841-00	1	LH Brake Line Remote Inlet
3	K71-629-00	1	Brake Pad Kit (axle set)
4	K71-637-00	1	Rotor Kit
5	006-193-00	5	3/8" Brake Mounting Nut-Washer Assembly

Disc Brake Hubs & Studs

Item	Part No.	Qty/Brk	Description
10	008-403-05	1	Grease 1/2" Studs 6 on 5.50
11	007-262-00	6	1/2-20 x 2.70" Press-in Stud (hubs after 2/09)

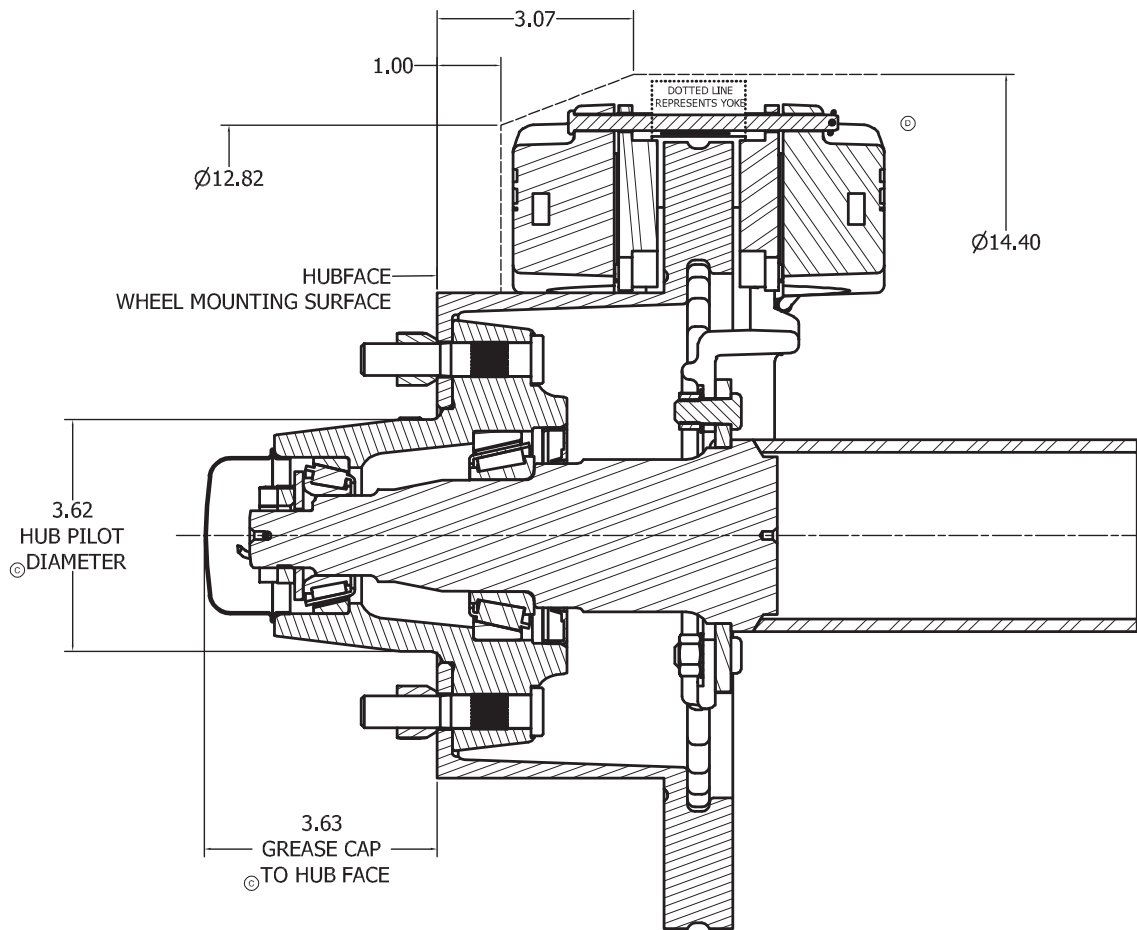
Nev-R-Lube® Disc Brake Hubs

Item	Part No.	Qty/Brk	Description
10	008-404-80	1	1/2" Studs, 42mm 6 on 5.50
11	007-262-00	6	1/2-20 x 2.70" Press-in Stud (hubs after 2/09)

Recommended Wheel Clearance for 6,000 lbs. Disc Brake



4100-6000 LBS.
CAPACITY



CAUTION: The above hub/rotor profile shows the minimum clearance needed to ensure that no part of the wheel makes contact with any brake component.

Make sure the wheel is in full contact with the hub face and does not drag against the brake caliper. If there is not full contact with the hub face, you may experience a dangerous wheel separation.

Application Information

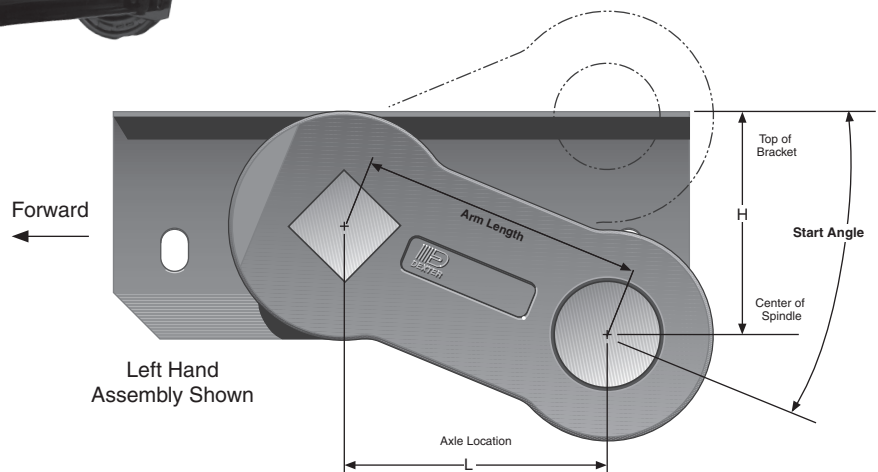


5500-7000 LBS. CAPACITY

- Digital service manual available at www.dexteraxle.com
- Precision machined, forged steel spindles
- Precision machined integral cast iron hub/drums
- 8-bolt and 5 bolt (UTG) hubs available
- Standard grease; optional oil bath; E-Z Lube® or Nev-R-Lube® option
- Press-in wheel studs

- 12" x 2" electric brakes, CSA approved at 7000 lbs., 12" x 2" hydraulic brakes
- Brakes are available with and without parking feature
- Hydraulic free backing brakes available
- Hydraulic brakes - uni-servo and duo-servo available
- Optional hot dipped galvanized axle beam
- Optional GAL-DEX® coated cast iron hub

Torflex® Application Information



5500-7000 LBS. CAPACITY

Start Angle	Bracket Profile	No Load		Full Load		Shock Load	
		H	L	H	L	H	L
45° Down	Low	6.24	4.24	4.30	5.54	3.17	5.88
	High	6.99	4.24	5.05	5.54	3.92	5.88
32° Down	Low	5.18	5.09	2.99	5.92	1.82	6.00
	High	5.93	5.09	3.74	5.92	2.57	6.00
22.5° Down	Low	4.30	5.54	2.00	6.00	0.83	5.88
	High	5.05	5.54	2.75	6.00	1.58	5.88
10° Down	Low	3.04	5.91	0.70	5.86	-0.42	5.49
	High	3.79	5.91	1.45	5.86	0.33	5.49
0°	Low	2.00	6.00	-0.30	5.54	-1.33	4.99
	High	2.75	6.00	0.45	5.54	-0.58	4.99
10° Up	Low	0.96	5.91	-1.22	5.06	-2.15	4.33
	High	1.71	5.91	-0.47	5.06	-1.40	4.33
22.5° Up	Low	-0.30	5.54	-2.24	4.24	-2.99	3.33
	High	0.45	5.54	-1.49	4.24	-2.24	3.33



ARTICULATION DIMENSIONS

Dimensions are for top mount only. Side mount is .31" higher. Allow 3" bump clearance from full load.

CAUTION: Triple axle assemblies are NOT recommended for #12 Torflex® axles, however the #12T Torflex® axle is designed for triple applications.

H = Height L = Length

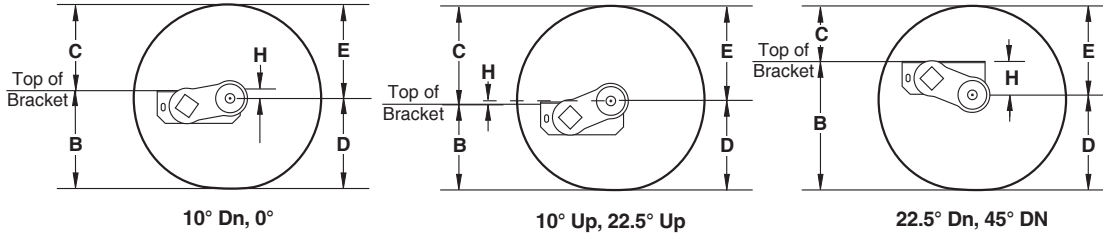
Note: Positive numbers in the H column indicate the spindle is BELOW the top of the bracket. Conversely, negative numbers are ABOVE the top of the bracket.

See page 7 for an overview of Torflex®



FULL LOAD DIMENSIONS

Dimensions are for low profile, top mount only. High profile brackets are .75" higher. Side mount is .31" higher. Allow 3" bump clearance from full load.



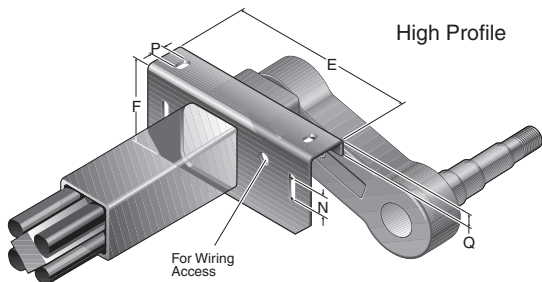
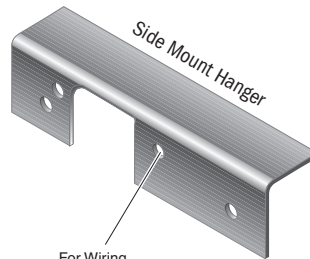
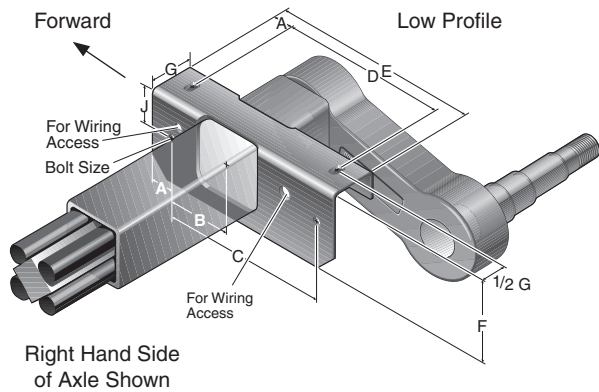
Start Angle

Tire	45° Down					32° Down					22.5° Down		
	D	E	H	B	C	D	E	H	B	C	H	B	C
LT235/85R16	14.3	15.4	4.3	18.6	11.1	14.3	15.4	3.0	17.3	12.4	2.0	16.3	13.4
7.50-16LT	14.9	16.7	4.3	19.2	12.4	14.9	16.7	3.0	17.9	13.7	2.0	16.9	14.7
9.50-16.5LT	14.1	15.2	4.3	18.4	10.9	14.1	15.2	3.0	17.1	12.2	2.0	16.1	13.2

Columns D and E are dimensional examples only:

- D – Static Loaded Radius
- E – Inflated Radius

Tire	10° Down			0°			10° Up			22.5° Up		
	H	B	C	H	B	C	H	B	C	H	B	C
LT235/85R16	0.7	15.0	14.7	-0.3	14.0	15.7	-1.2	13.1	16.6	-2.2	12.1	17.6
7.50-16LT	0.7	15.6	16.0	-0.3	14.6	17.0	-1.2	13.7	17.9	-2.2	12.7	18.9
9.50-16.5LT	0.7	14.8	14.5	-0.3	13.8	15.5	-1.2	12.9	16.4	-2.2	11.9	17.4



#12 Bracket Dimensions

	Low	High
A	1.25	1.25
B	3.50	3.50
C	9.50	9.50
D	9.00	9.00
E	12.00	12.00
F	4.37	5.12
G	2.50	2.50
J	2.06	2.06
N	----	1.03
P	----	1.00
Q	----	1.00
Bolt Size	5/8" bolt	
Tube Size	3.50	3.50

#12 Overhang Overall

Spindle	Min.	Max.
Short	14.00"	30.40"
Standard	15.00"	30.40"

See page 7 for an overview of Torflex®

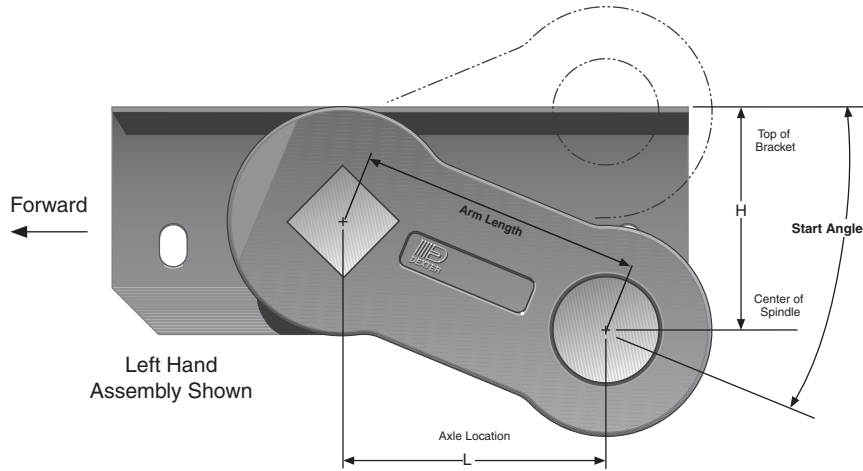
5500-7000 LBS. CAPACITY

**5500-7000 LBS.
CAPACITY**



ARTICULATION DIMENSIONS

Dimensions are for top mount only. Side mount is .31" higher. Allow 3" bump clearance from full load.



		No	Load	Full	Load	Shock	Load
Start Angle	Bracket Profile	H	L	H	L	H	L
45° Down	Low	6.49	4.24	4.55	5.54	3.42	5.88
	High	7.18	4.24	5.24	5.54	4.11	5.88
32° Down	Low	5.43	5.09	3.24	5.92	2.07	6.00
	High	6.12	5.09	3.93	5.92	2.76	6.00
22.5° Down	Low	4.55	5.54	2.25	6.00	1.08	5.88
	High	5.24	5.54	2.94	6.00	1.77	5.88
10° Down	Low	3.29	5.91	0.95	5.86	-0.17	5.49
	High	3.98	5.91	1.64	5.86	0.52	5.49
0°	Low	2.25	6.00	-0.05	5.54	-1.08	4.99
	High	2.94	6.00	0.64	5.54	-0.39	4.99
10° Up	Low	1.21	5.91	-0.97	5.06	-1.90	4.33
	High	1.90	5.91	-0.28	5.06	-1.21	4.33
22.5° Up	Low	-0.05	5.54	-1.99	4.24	-2.74	3.33
	High	0.64	5.54	-1.30	4.24	-2.05	3.33

H = Height
L = Length

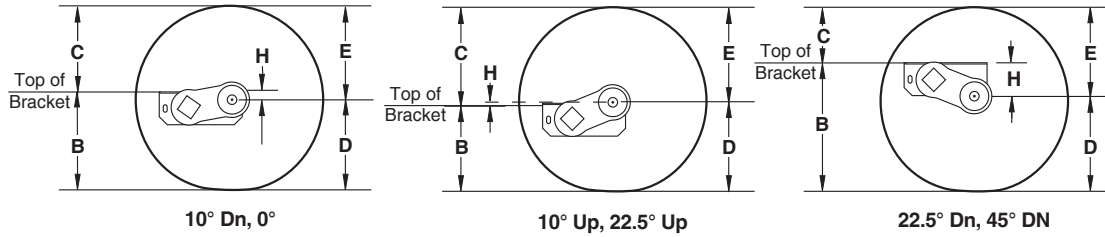
Note: Positive numbers in the H column indicate the spindle is BELOW the top of the bracket. Conversely, negative numbers are ABOVE the top of the bracket.

See page 7 for an overview of Torflex®



FULL LOAD DIMENSIONS

Dimensions are for low profile, top mount only. High profile brackets are .75" higher. Side mount is .31" higher. Allow 3" bump clearance from full load.



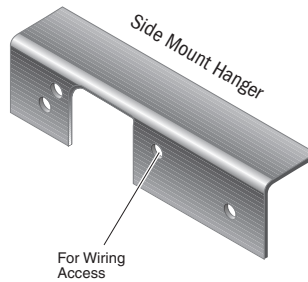
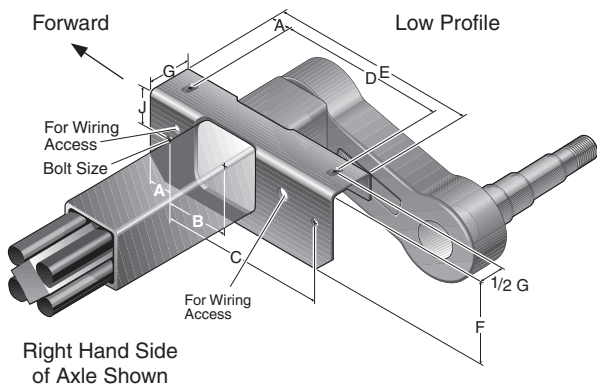
**5500-7000 LBS.
CAPACITY**

Start Angle

Tire	45° Down					32° Down					22.5° Down		
	D	E	H	B	C	D	E	H	B	C	H	B	C
10R17.5HC	15.6	18.0	4.6	20.2	13.4	15.6	18.0	3.2	18.8	14.8	2.3	17.9	15.7
215/75R17.5	14.0	15.3	4.6	18.6	10.7	14.0	15.3	3.2	17.2	12.1	2.3	16.3	13.0
12-16.5LT	14.9	15.8	4.6	19.5	11.2	14.9	15.8	3.2	18.1	12.6	2.3	17.2	13.5
9.50-16.5LT	14.1	15.2	4.6	18.7	10.6	14.1	15.2	3.2	17.3	12.0	2.3	16.4	12.9
9R17.5HC	15.4	17.1	4.6	20.0	12.5	15.4	17.1	3.2	18.6	13.9	2.3	17.7	14.8

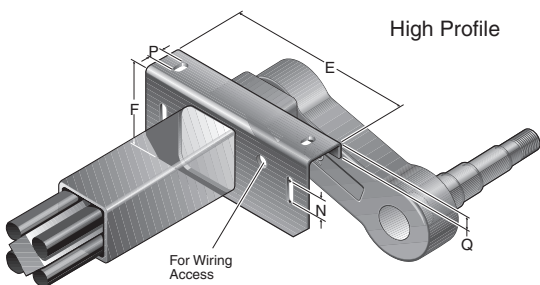
Columns D and E are dimensional examples only:
D – Static Loaded Radius
E – Inflated Radius

Tire	10° Down			0°			10° Up			22.5° Up		
	H	B	C	H	B	C	H	B	C	H	B	C
10R17.5HC	1.0	16.6	17.0	-0.1	15.5	18.1	-1.0	14.6	19.0	-2.0	13.6	20.0
215/75R17.5	1.0	15.0	14.3	-0.1	13.9	15.4	-1.0	13.0	16.3	-2.0	12.0	17.3
12-16.5LT	1.0	15.9	14.8	-0.1	14.8	15.9	-1.0	13.9	16.8	-2.0	12.9	17.8
9.50-16.5LT	1.0	15.1	14.2	-0.1	14.0	15.3	-1.0	13.1	16.2	-2.0	12.1	17.2
9R17.5HC	1.0	16.4	16.1	-0.1	15.3	17.2	-1.0	14.4	18.1	-2.0	13.4	19.1



#12T Bracket Dimensions

	Low	High
A	1.22	1.22
B	3.63	3.63
C	10.56	10.56
D	10.56	10.56
E	13.00	13.00
F	4.81	5.50
G	2.50	2.50
J	2.25	2.25
L	7.26	7.26
P	----	1.00
Q	----	1.00
Bolt Size	5/8" bolt	
Tube Size	3.88	3.88



#12T Overhang Overall

Spindle	Min.	Max.
Short	14.00"	30.40"
Standard	14.94"	30.40"

See page 7 for an overview of Torflex®

Leaf Spring Application Information



D60 & D70 LEAF SPRING



- Inner wiring system for easier installation and protection of brake wiring
- Heavy wall 3" diameter tube

Please See page 8 for an overview of Leaf Spring Suspension

**5500-7000 LBS.
CAPACITY**

D60 Overhang Overall

	Min.	Max.
Straight	12.75"	20.00"
Straight - Disc	18.00"	21.50"
4" Drop	15.74"	20.00"
4" Drop - Disc	18.00"	21.50"
Nev-R-Lube®	12.38"	20.00"
Nev-R-Lube - Disc	18.00"	21.50"

D70 Overhang Overall

	Min.	Max.
Straight	13.26"	18.00"
4" Drop	15.74"	18.00"
Nev-R-Lube®	12.74"	18.00"
Disc - Dexter	18.00"	20.00"
Disc - Zinc/Alum.	16.00"	20.00"

Double Eye Springs

For Standard 33" Axle Spacing Single
A/P-122-00 Tandem A/P-233-00 Triple
A/P-335-00

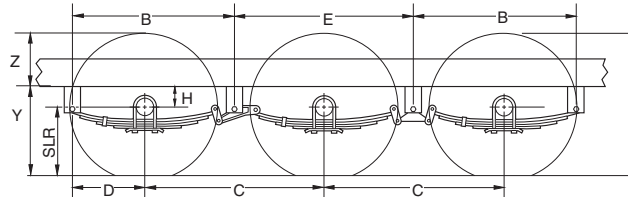
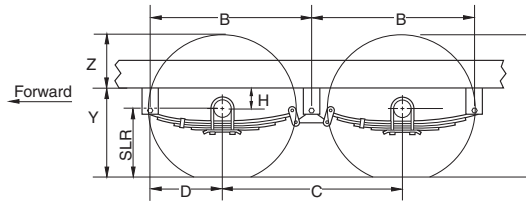
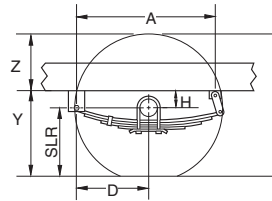
Spring Length

	21"	24"	26"
A	19.62	23.50	25.75
B	25.00	27.50	29.50
C	28.75	31.00	33.00
D	10.62	12.00	13.00
E	28.75	31.00	33.00

For Optional 35" Axle Spacing Tandem A/P-
264-00 Triple A/P-364-00

Spring Length

	21"	24"	26"
B	26.00	28.50	30.50
C	30.80	33.00	35.00
D	10.62	12.00	13.00
E	30.80	33.00	35.00

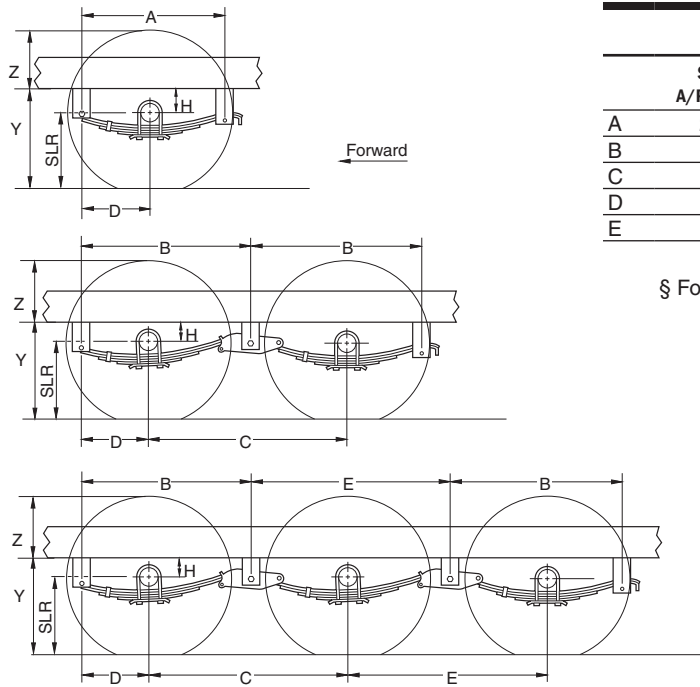


Double Eye Axle Assemblies

Hanger Kits		Height	Quantity Per Kit							
Part No.	Description		HGR-104-00 (7,000 lbs. Max)	HGR-105-00 (8,000 lbs. Max)	HGR-212-00 (7,000 lbs. Max)	HGR-249-00 (7,000 lbs. Max)	HGR-271-00 (8,000 lbs. Max)	HGR-274-00 (8,000 lbs. Max)		
028-005-00	Hanger	3.25"	2	----	6	2	----	----		
028-006-00	Front Hanger	1.44"	----	2	----	----	----	----		
028-010-01	Hanger	5.00	----	----	----	----	6	----		
028-070-00	Hanger	4.25"	----	----	----	----	6	----		
029-008-00	Front Hanger	2.06"	----	----	----	4	----	----		
030-020-00	Rear Hanger	0.91"	2	2	----	----	----	----		
Attaching Parts Kits		Part No.	Description	A/P-122-00	A/P-233-00	A/P-247-00	A/P-264-00†	A/P-201-00	A/P-335-00	A/P-364-00†
006-007-01	Hex Locknut			----	----	----	----	14	----	----
006-092-01	Flange Locknut	6	14	14	14	----	22	22		
007-003-01	Bolt Press-In	----	----	----	----	14	----	----		
007-126-01	Shackle Bolt	2	6	6	6	----	10	10		
013-010-00	Equalizer	----	----	2	----	----	----	----		
013-104-02	Equalizer	----	2	----	----	----	2	----		
013-105-02	Equalizer	----	----	----	----	----	2	----		
013-122-02	Equalizer	----	----	----	2	----	----	2		
013-126-02	Equalizer	----	----	----	----	----	----	2		
013-010-00	Equalizer	----	----	----	----	2	----	----		
018-011-05	Shackle Link	----	4	4	4	8	6	6		
018-012-05	Shackle Link, Long	2	----	----	----	----	----	----		
018-020-05	Shackle Link Assembly	----	4	4	4	----	6	6		
018-021-05	Shackle Link Assembly, Long	2	----	----	----	----	----	----		

†For 35" axle spacing using 26" springs Note: Common A/P kits are available in marine grade coating

Leaf Spring Application Information



Slipper Springs					
	Single	Tandem		Triple	
	A/P-103-00	A/P-202-00 [§]	A/P-216-00 [‡]	A/P-302-00 [§]	A/P-316-00 [‡]
A	24.0	----	----	----	----
B	----	28.8	30.4	28.8	30.4
C	----	33.5	36.0	33.5	36.0
D	11.5	11.5	11.5	11.5	11.5
E	----	----	----	33.0	35.0

Note: All 2" wide slipper springs
[§] For 33.5" axle spacing [‡] For 36" axle spacing

A, B, E – Hanger Spacing
 C – Axle Spacing
 D – Axle Location
 H – Center of Spindle
 Y – Frame Height
 Z – Top of Tire to Bottom of Frame
 SLR – Static Load Radius

To determine these values, contact your account manager or distributor to run ProSpec™.

**5500-7000 LBS.
CAPACITY**

Slipper Spring Axle Assemblies

Hanger Kits		Height	Quantity Per Kit				
Part No.	Description		HGR-138-00 (8,000 lbs. Max)	HGR-238-00 (8,000 lbs. Max)	HGR-338-00 (8,000 lbs. Max)		
028-009-01	Front Hanger	5.00"	2	2	2		
029-005-01	Center Hanger	4.50"	----	2	4		
030-006-01	Rear Hanger	6.38"	2	2	2		
Attaching Parts Kits		Description	A/P-103-00	A/P-202-00 [§]	A/P-216-00 [‡]	A/P-302-00 [§]	A/P-316-00 [‡]
Part No.	Height						
006-007-01	5/16"-18 Locknut		2	4	4	6	6
006-011-00	Keeper Nut		2	4	4	6	6
006-111-00	Equalizer Nut		----	2	2	4	4
007-001-01	Equalizer Bolt		----	2	2	4	4
007-007-00	Keeper Bolt		2	4	4	6	6
007-017-00	Spring Eye Bolt		2	4	4	6	6
013-004-00	Equalizer		----	2	----	4	----
013-044-01	Equalizer		----	----	2	----	4

[§] For 33.5" axle spacing

[‡] For 36" axle spacing

Note: Common A/P kits are available in marine grade coating.

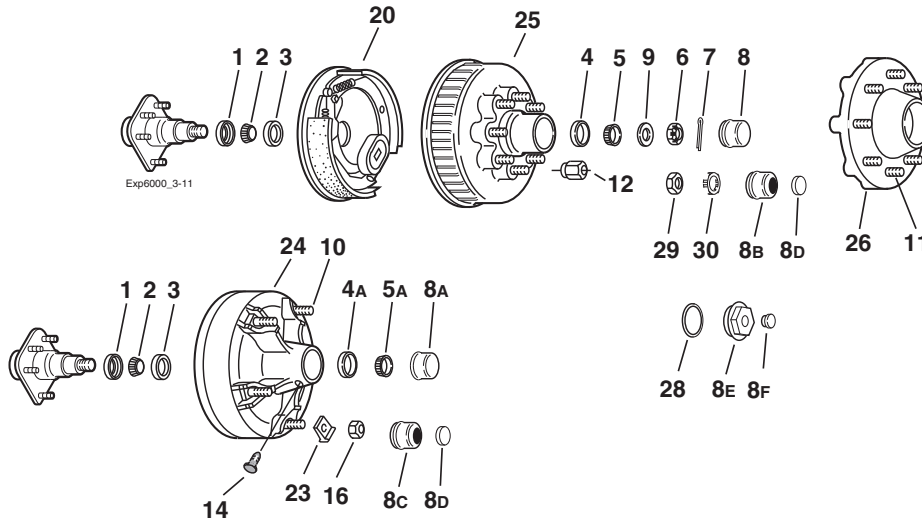
Some combinations of hangers and spring mountings may result in insufficient bump clearance. Please refer to ProSpec information or additional hanger and A/P kits at the end of the catalog.

See page 8 for an overview of Leaf Spring Suspension

865 and Demountable Hub Group



**5500-7000 LBS.
CAPACITY**



Grease Lube Parts

Item	Part No.	Description
1	010-036-00	E-Z Lube® Seal 2.25"
2	031-030-02	25580 Inner Bearing Cone
3	031-030-01	25520 Inner Bearing Cup
4	031-017-01	14276 Outer Bearing Cup - 865 Hub
4A	031-029-01	15245 Outer Bearing Cup - Demountable
5	031-017-02	14125A Outer Bearing Cone - 865 Hub
5A	031-029-02	15123 Outer Bearing Cone - Demountable
6	006-176-00	Spindle Nut
7	019-002-00	Cotter Pin (not used with E-Z Lube®)
8	021-039-00	Grease Cap - 865 Hub
8A	021-001-00	Grease Cap - Demountable
8B	021-043-01	Grease Cap for E-Z Lube® - 865 Hub
8B	021-043-02	Grease Cap E-Z Lube® Chrome Option - 865 Hub
8C	021-042-01	Grease Cap for E-Z Lube® - Demountable
8C	021-042-02	Grease Cap for E-Z Lube® Chrome Option - Dem.
8D	085-001-00	E-Z Lube® Rubber Plug
9	005-057-00	Spindle Washer
16	006-005-00	5/16"-18 Nut for Rim Clamp
23	015-002-00	Rim Clamp
29	006-191-00	Special Jam Nut for E-Z Lube® (after 2002)
30	006-190-00	Spindle Nut Retainer for E-Z Lube® (after 2002)

Oil Lube Parts

Item	Part No.	Description
1	010-063-00	Oil Seal 2.25"
2	031-030-02	25580 Inner Bearing cone
3	031-030-01	25520 Inner Bearing Cup
4	031-017-01	14276 Outer Bearing Cup - 865 Hub
4	031-029-01	15245 Outer Bearing Cup - Demountable
5	031-029-02	15123 Outer Bearing Cone
5	031-017-02	14125A Outer Bearing Cone
6	006-176-00	Spindle Nut
7	019-002-00	Cotter Pin
8E	021-035-00	Oil Cap - 865 Hub
ns	021-040-00	Oil Cap - Demountable
8F	046-032-00	Oil Cap Plug
9	005-057-00	Spindle Washer
14	046-052-00	Oil Filler Plug - 865 and Demountable
ns	046-032-00	Oil Cap Plug
16	006-005-00	5/16"-18 Nut for Rim Clamp
23	015-002-00	Rim Clamp
28	010-045-00	865 'O' Ring
ns	010-059-00	Demountable 'O' Ring

Note: Spindle is not available for resale.

ns - not shown

6 on 5.5 hubs are available on these axles, see section in 4100-6000 lbs.

Hubs

Item	Part No.	Description	Bolt Circle
Hubs/Drums			
24	008-174-05	Grease 5/16" Stud	Demountable
24	008-174-06	Oil 5/16" Stud	Demountable
25	008-219-04	Grease 1/2" Stud	8 on 6.50
25	008-219-50	Grease 1/2" Stud	8 on 6.50
25	008-219-13	Grease 5/16" Stud	8 on 6.50
25	008-219-18	Grease 5/8" Stud	8 on 6.50
25	008-219-09	Oil 1/2" Stud	8 on 6.50
25	008-219-20	Oil 5/16" Stud	8 on 6.50
25	008-219-26	Oil 5/8" Stud	8 on 6.50
Plain Hubs			
26	008-231-09	Grease 1/2" Stud	8 on 6.50
26	008-231-50	Grease 1/2" Stud	8 on 6.50
		GAL-DEX® coated	
26	008-231-18	Grease 5/16" Stud	8 on 6.50
26	008-231-20	Grease 5/8" Stud	8 on 6.50
26	008-231-16	Oil 1/2" Stud	8 on 6.50

Brakes

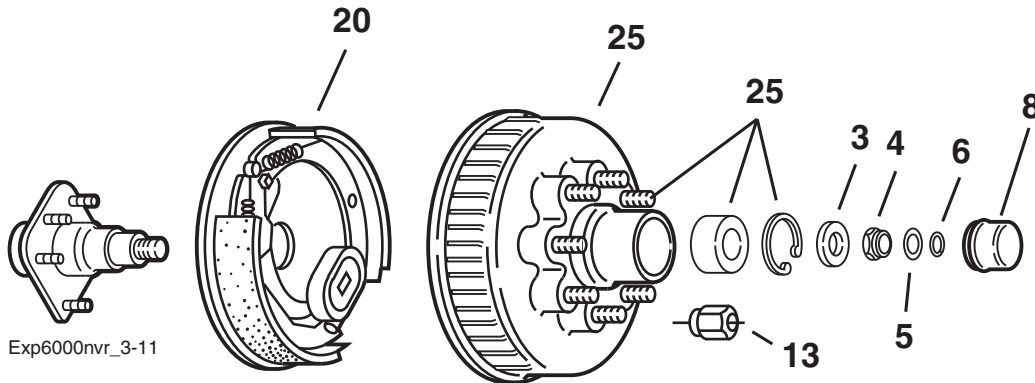
Item	Part No.	Description
20	K23-105-00/K23-106-00	LH/RH Electric 6,000 lbs. CSA
ns	K23-112-00/K23-113-00	LH/RH Electric w/park 6,000 lbs. CSA
ns	K23-180-00/K23-181-00	LH/RH Electric 7,000 lbs.
ns	K23-338-00/K23-339-00	LH/RH Hydraulic Uni-servo 7,000 lbs.
ns	K23-334-00/K23-335-00	LH/RH Hyd. Uni-servo 7,000 lbs. w/park
ns	K23-336-00/K23-337-00	LH/RH Hydraulic Duo-servo 7,000 lbs.
ns	K23-332-00/K23-333-00	LH/RH Hyd. Duo-servo 7,000 lbs. w/park
ns	K23-342-00/K23-343-00	LH/RH Hydraulic Uni-servo 7,000 lbs. FB
ns	K23-340-00/K23-341-00	LH/RH Hyd. Uni-servo 7,000 lbs. FB w/park
ns	K23-342-01/K23-343-01	LH/RH Hydraulic Uni-servo 7,000 lbs. FB
ns	K23-340-01/K23-341-01	LH/RH Hydraulic Uni-servo 7,000 lbs. FB w/park
ns	K23-458-00/K23-459-00	LH/RH Electric Nev-R-Adjust®

Studs & Wheel Nuts

Item	Part No.	Description
10	025-011-00	5/16"-18 Stud - UTG
11	007-122-00	1/2"-20 x 1.84 Long Press-in Stud* (hubs before 1/04)
11	007-262-00	1/2"-20 x 2.70 Long Press-in Stud* (hubs after 1/04)
12	006-080-00	1/2"-20 60° Cone Nut
ns	007-132-00	5/16"-18 Press-in Stud
ns	006-053-00	5/16"-18 60° Cone Nut
ns	007-232-00	5/8"-18 Press-in Stud
ns	006-109-00	5/8"-18 90° Cone Nut

* Stud length measured under head to end of stud.

655 and 865 Nev-R-Lube® Hub Group



**5500-7000 LBS.
CAPACITY**

Nev-R-Lube® Parts

Item	Part No.	Description
ns	005-147-01	Spindle Washer, 42mm
3	005-149-00	Spindle Washer, 50mm
4	006-183-00	Spindle Nut
5	092-002-00	Washer, Torque Label
6	069-096-00	Snap Ring
ns	021-085-00	Grease Cap, 42mm
8	021-086-00	Grease Cap, 50mm

12" x 2" Brakes

Item	Part No.	Description
20	K23-105-00/K23-106-00	LH/RH Electric
ns	K23-180-00/K23-181-00	LH/RH Electric 7,000 lbs.
ns	K23-338-00/K23-339-00	LH/RH Hydraulic Uni-servo, 7,000 lbs.
ns	K23-334-00/K23-335-00	LH/RH Hydraulic Uni-servo w/park, 7,000 lbs.
ns	K23-336-00/K23-337-00	LH/RH Hydraulic Duo-servo, 7,000 lbs.
ns	K23-332-00/K23-333-00	LH/RH Hydraulic Duo-servo w/park, 7,000 lbs.
ns	K23-342-00/K23-343-00	LH/RH Hydraulic Free Backing, 7,000 lbs.
ns	K23-340-00/K23-341-00	LH/RH Hydraulic 7,000 lbs. FB w/park
ns	K23-326-00/K23-327-00	LH/RH Electric 6,000 lbs. CSA
ns	K23-458-00/K23-459-00	LH/RH Electric Nev-R-Adjust®
ns	K23-466-00/K23-467-00	LH/RH Electric 6,000 lbs. CSA Nev-R-Adjust®

ns - not shown

Note: Spindle is not available for resale.

Hubs With Bearing and Wheel Studs

Item	Part No.	Description	Bolt Circle
ns	008-388-80	Hub and Drum includes: 007-122-00 1/2-20 Press-in Studs 031-073-03 42mm Bearing Cartridge 069-095-00 Bearing Retainer	6 on 5.50
25	008-385-82	Hub and Drum includes: 007-122-00 1/2-20 Press-in Studs 031-071-03 50mm Bearing Cartridge 069-093-00 Bearing Retainer	8 on 6.50
ns	008-385-81	Hub and Drum includes: 007-223-00 9/16-18 Press-in Studs 031-071-03 50mm Bearing Cartridge 069-093-00 Bearing Retainer	8 on 6.50
ns	008-385-80	Hub and Drum includes: 007-224-00 9/16-18 Press-in Studs 031-071-03 50mm Bearing Cartridge 069-093-00 Bearing Retainer	8 on 6.50

Wheel Nuts

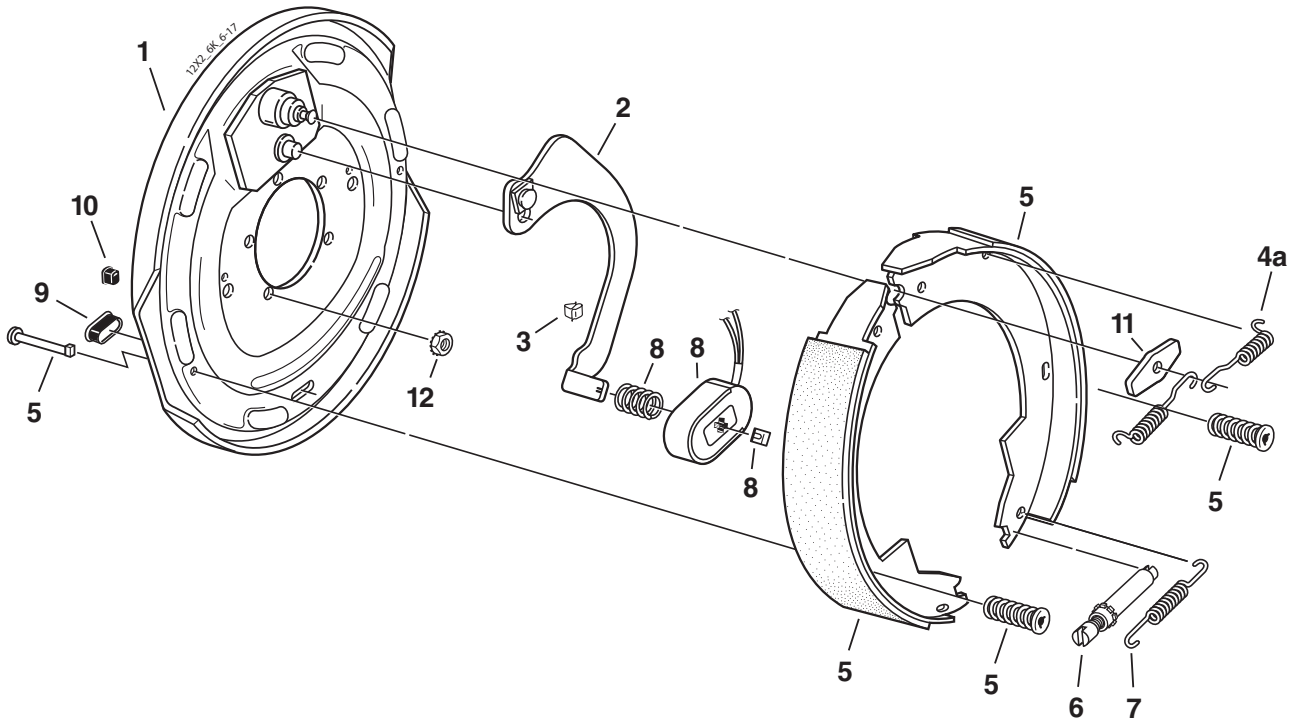
Item	Part No.	Description
13	006-080-00	1/2-20 60° Cone Nut
ns	006-053-00	9/16-18 60° Cone Nut
ns	006-109-00	5/8-18 90° Cone Nut

**See page 6 for an overview of
Nev-R-Lube® bearings**

12" x 2" 6,000 lbs. Electric Brake



CSA approved at 6000 lbs. / 14.2 SLR



5500-7000 LBS. CAPACITY

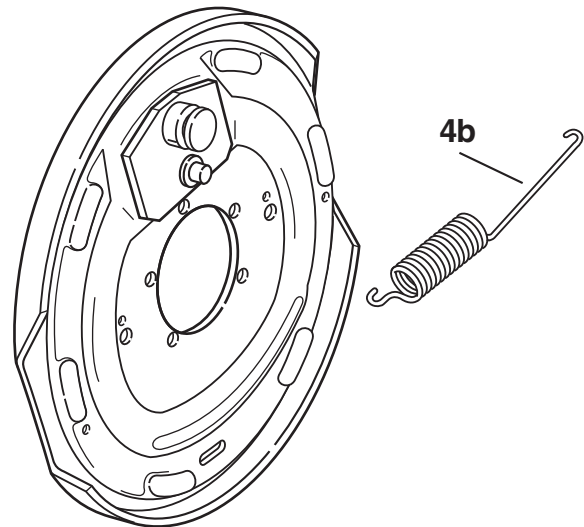
These brakes are rated to a maximum capacity of 6000 lbs. / pair

Electric Brake 6000 lbs. (CSA 6000 lbs.)

Item	Part No.	Qty/Brk	Description
0	K23-105-00	1	LH Complete Brake Assembly
0	K23-106-00	1	RH Complete Brake Assembly (shown)
1	036-089-10	1	Backing Plate Assembly (after 3/18)
2	047-107-05	1	LH Actuating Lever Arm Assembly
2	047-108-05	1	RH Actuating Lever Arm Assembly
3	027-005-00	2	Wire Clip
4a	046-009-00	2	Retractor Spring (before 3/18 and after 11/19)
4b	046-005-00	1	Retractor Spring (Between 3/18 - 11/19)
5	K71-127-00	1	Shoe & Lining Kit Contains: 1 040-215-00 Primary Shoe & Lining 1 040-216-00 Secondary Shoe & Lining 2 049-002-00 Shoe Hold Down Pin 2 2 046-077-00 Shoe Hold Down Spring & Cup
6	043-004-00	1	Adjuster Assembly
7	046-018-00	1	Adjusting Screw Spring
8	K71-105-00	1	Magnet Kit Contains: 1 042-149-00 Magnet (white wire) 1 027-009-00 Magnet Clip 1 046-080-00 Magnet Spring (before 7/16) 1 046-175-00 Magnet Spring (after 7/16)
9	046-007-00	2	Adjuster Slot Plug
10	046-016-00	1	Wire Grommet
11	005-067-00	1	Anchor Post Washer (before 3/18)
*12	006-193-00	5	Nut Washer Assembly

* Not included with complete brake assembly. Item sold separately.

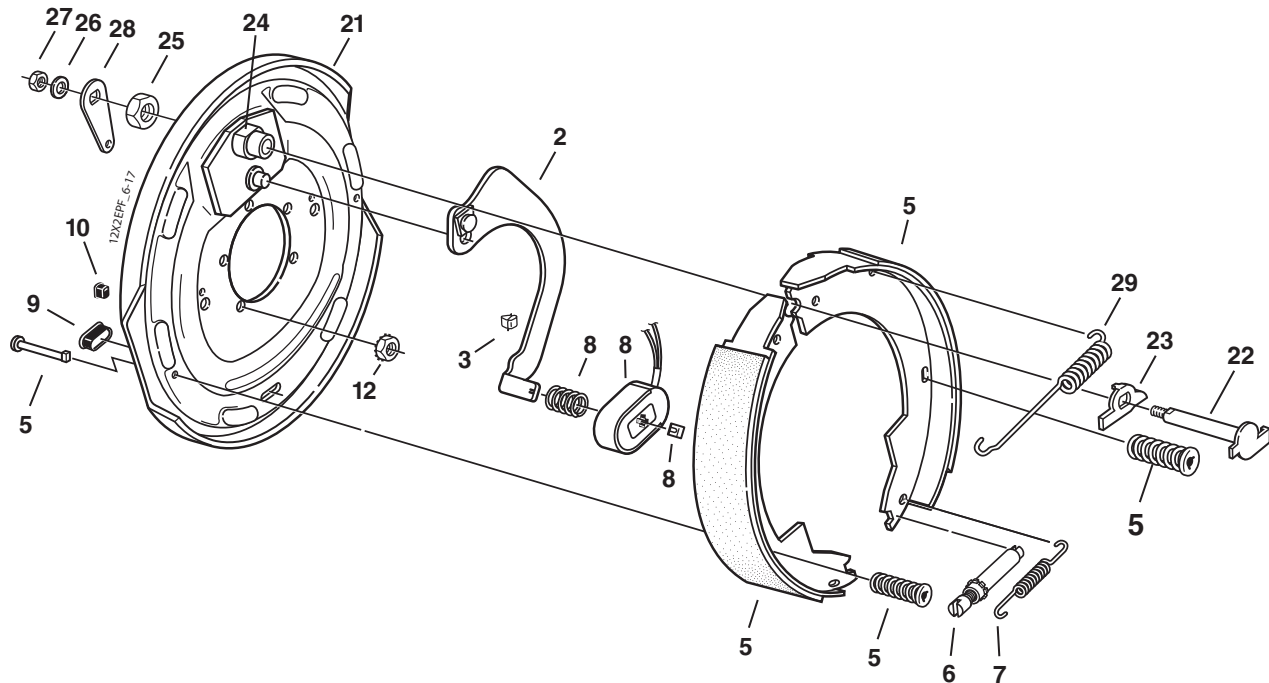
Between 3/18 - 11/19 Single Retractor Spring Components



12" x 2" 6,000 lbs. Electric Brake With Parking Feature



CSA approved at 6000 lbs. /14.2 SLR



**5500-7000 LBS.
CAPACITY**

Electric Parking Brake 6000 lbs. (CSA 6000 lbs.)

Item	Part No.	Qty/Brk	Description
0	K23-112-00	1	LH Complete Brake Assembly
0	K23-113-00	1	RH Complete Brake Assembly (shown)
2	047-107-05	1	LH Actuating Lever Arm Assembly
2	047-108-05	1	RH Actuating Lever Arm Assembly
3	027-005-00	2	Wire Clip
5	K71-127-00	1	Shoe & Lining Kit Contains: 1 040-215-00 Primary Shoe & Lining 1 040-216-00 Secondary Shoe & Lining 2 049-011-00 Shoe Hold Down Pin 2 2 046-077-00 Shoe Hold Down Spring & Cup
6	043-004-00	1	Adjuster Assembly
7	046-018-00	1	Adjusting Screw Spring
8	K71-105-00	1	Magnet Kit Contains: 1 042-149-00 Magnet (white wire) 1 027-009-00 Magnet Clip 1 046-080-00 Magnet Spring (before 7/16) 1 046-175-00 Magnet Spring (after 7/16)
9	046-007-00	2	Adjuster Slot Plug
10	046-016-00	1	Wire Grommet
*12	006-193-00	5	Nut Washer Assembly
20	036-089-08	1	LH Backing Plate Assembly Complete (includes 21-28)
20	036-089-09	1	RH Backing Plate Assembly Complete (includes 21-28)
21	036-089-06	1	LH Backing Plate Assembly
21	036-089-07	1	RH Backing Plate Assembly
22	039-025-00	1	LH Pivot Pin & Cam Sub-Assembly
22	039-026-00	1	RH Pivot Pin & Cam Sub-Assembly
23	039-048-00	1	LH Actuating Cam
23	039-049-00	1	RH Actuating Cam
24	038-068-00	1	Anchor Post & Bushing Sub-Assembly
25	006-047-00	1	Anchor Post Locknut
26	005-041-00	1	Washer
27	006-011-00	1	Pivot Pin Locknut
28	047-070-00	1	Parking Brake Lever
29	046-005-00	1	Retractor Spring

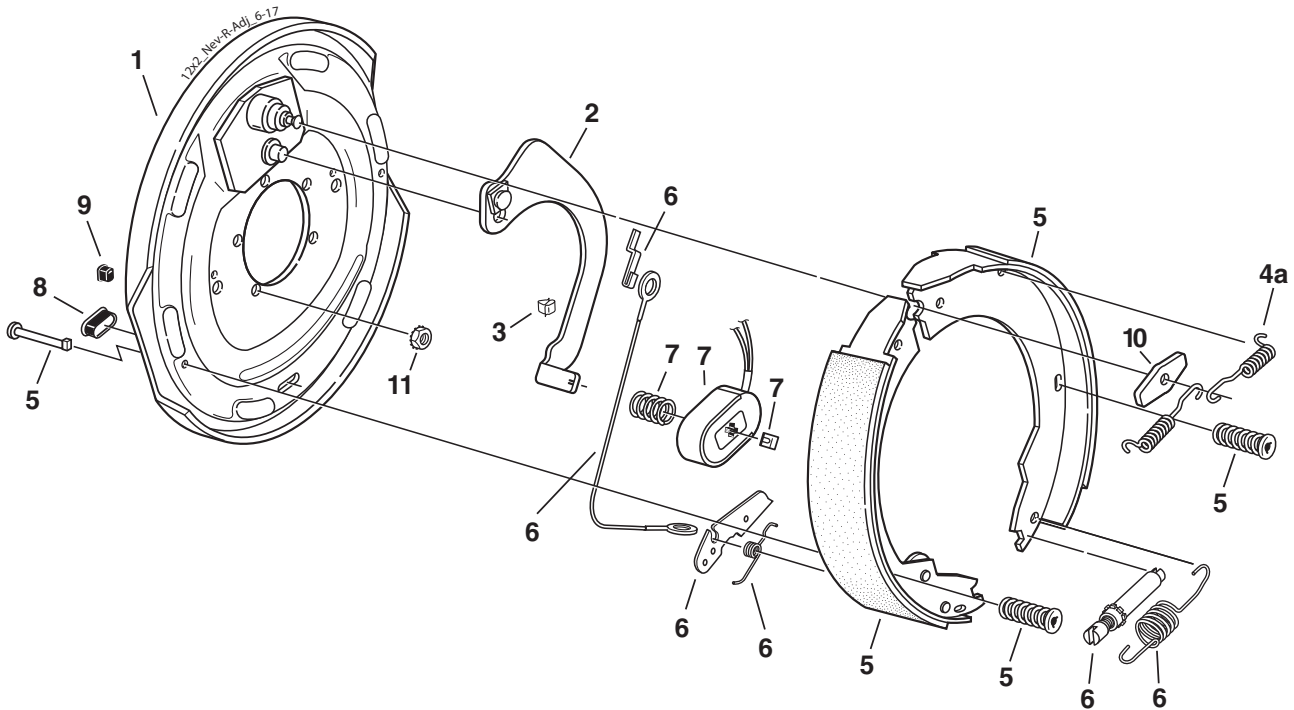
* Not included with complete brake assembly. Item sold separately.

These brakes are rated to a maximum capacity of 6000 lbs. / pair

12" x 2" 6,000 lbs. Nev-R-Adjust® Electric Brake



CSA approved at 6000 lbs. / 14.2 SLR



5500-7000 LBS. CAPACITY

Electric Brake 6000 lbs. (CSA 6000 lbs.)			
Item	Part No.	Qty/Brk	Description
0	K23-458-00	1	LH Complete Brake Assembly
0	K23-459-00	1	RH Complete Brake Assembly (shown)
1	036-089-10	1	Backing Plate Assembly (after 3/18)
2	047-107-05	1	LH Actuating Lever Arm Assembly
2	047-108-05	1	RH Actuating Lever Arm Assembly
3	027-005-00	2	Wire Clip
4a	046-009-00	2	Retractor Spring (before 3/18 and after 11/19)
4b	046-005-00	1	Retractor Spring (Between 3/18 - 11/19)
5	K71-675-00	1	LH Shoe & Lining Kit Contains: 1 040-215-00 Primary Shoe & Lining 1 040-216-01 Secondary Shoe & Lining 2 049-002-00 Shoe Hold Down Pin 2 2 046-077-00 Shoe Hold Down Spring & Cup
5	K71-676-00	1	RH Shoe & Lining Kit Contains: 1 040-215-00 Primary Shoe & Lining 1 040-216-02 Secondary Shoe & Lining 2 049-002-00 Shoe Hold Down Pin 2 2 046-077-00 Shoe Hold Down Spring & Cup
6	K71-679-00	1	LH & RH Brake Adjuster Kit Contains: 2 046-139-00 Adjusting Screw Spring 1 046-140-00 LH Lever Spring 1 046-141-00 RH Lever Spring 1 048-022-00 LH Adjuster Assembly 1 048-023-00 RH Adjuster Assembly 2 071-528-00 Adjuster Cable 2 071-529-00 Hook for Cable 1 071-530-01 LH Adjusting Lever 1 071-530-02 RH Adjusting Lever
7	K71-105-00	1	Magnet Kit Contains: 1 042-149-00 Magnet (white wire) 1 027-009-00 Magnet Clip 1 046-080-00 Magnet Spring (before 7/16) 1 046-175-00 Magnet Spring (after 7/16)
8	046-007-00	2	Adjuster Slot Plug
9	046-016-00	1	Wire Grommet
10	005-067-00	1	Anchor Post Washer (before 3/18)
*11	006-193-00	5	Nut Washer Assembly

* Not included with complete brake assembly. Item sold separately.

**Between 3/18 - 11/19
Single Retractor Spring Components**

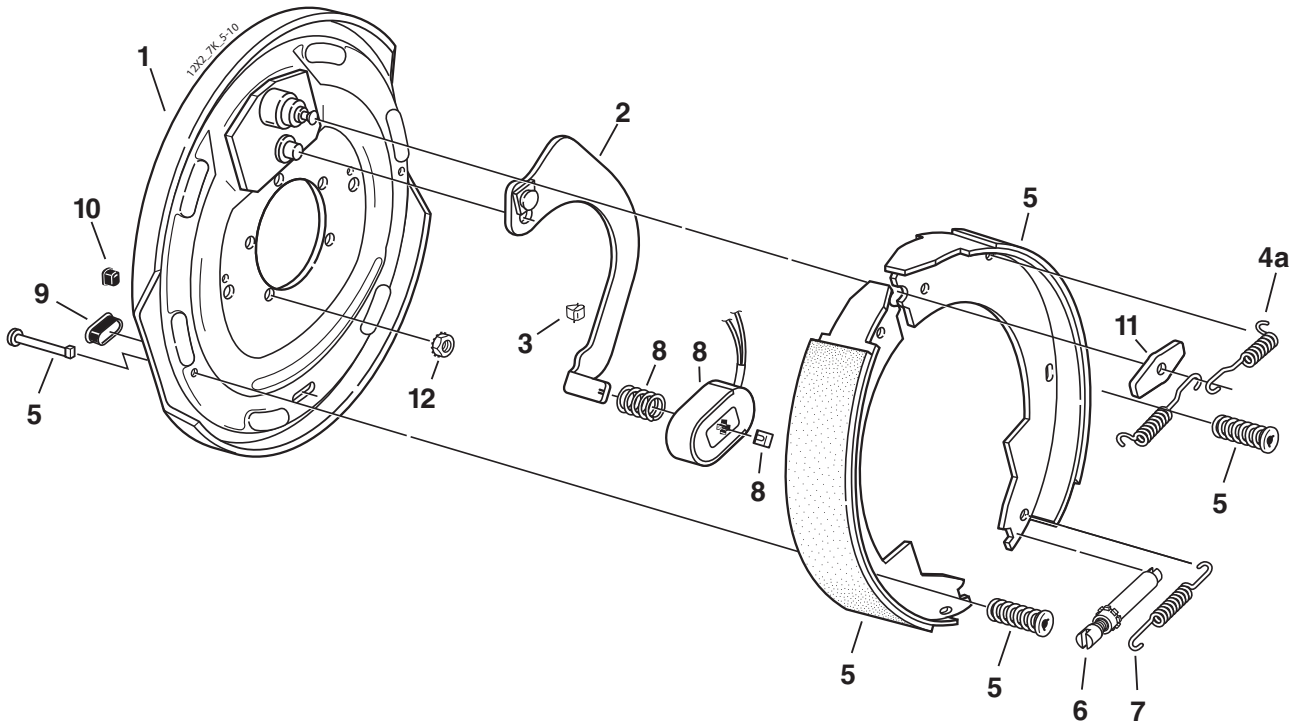
**See page 5 for an overview of the
Nev-R-Adjust® electric brakes**

12" x 2" 7,000 lbs. Electric Brake



CSA approved at 7000 lbs. /13.8 SLR

**5500-7000 LBS.
CAPACITY**

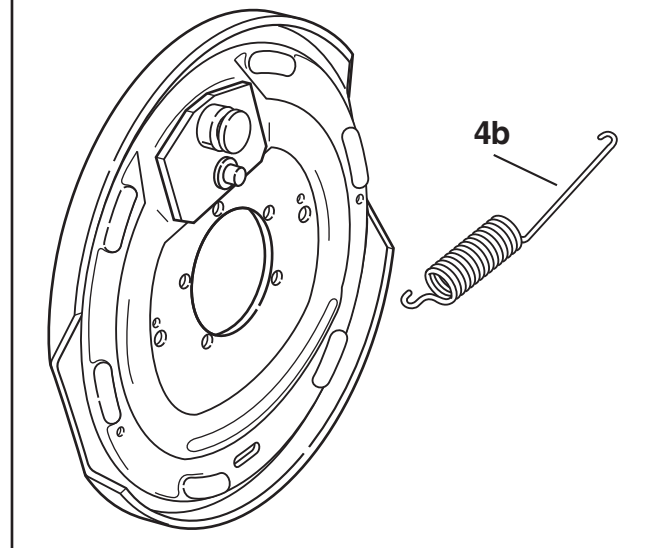


Electric Brake 7000 lbs.

Item	Part No.	Qty/Brk	Description
0	K23-180-00	1	LH Complete Brake Assembly
0	K23-181-00	1	RH Complete Brake Assembly (shown)
1	036-089-10	1	Backing Plate Assembly (after 3/18)
2	047-107-05	1	LH Actuating Lever Arm Assembly
2	047-108-05	1	RH Actuating Lever Arm Assembly
3	027-005-00	2	Wire Clip
4a	046-009-00	2	Retractor Spring (before 3/18 and after 11/19)
4b	046-005-00	1	Retractor Spring (Between 3/18 - 11/19)
5	K71-127-00	1	Shoe & Lining Kit Contains: 1 040-215-00 Primary Shoe & Lining 1 040-216-00 Secondary Shoe & Lining 2 049-002-00 Shoe Hold Down Pin 2 046-077-00 Shoe Hold Down Spring & Cup
6	043-004-00	1	Adjuster Assembly
7	046-018-00	1	Adjusting Screw Spring
8	K71-125-00	1	Magnet Kit Contains: 1 042-143-00 Magnet (black wire) 1 027-009-00 Magnet Clip 1 046-080-00 Magnet Spring (before 7/16) 1 046-175-00 Magnet Spring (after 7/16)
9	046-007-00	2	Adjuster Slot Plug
10	046-016-00	1	Wire Grommet
11	005-067-00	1	Anchor Post Washer
*12	006-193-00	5	Nut Washer Assembly

* Not included with complete brake assembly. Item sold separately.

Between 3/18 - 11/19 Single Retractor Spring Components

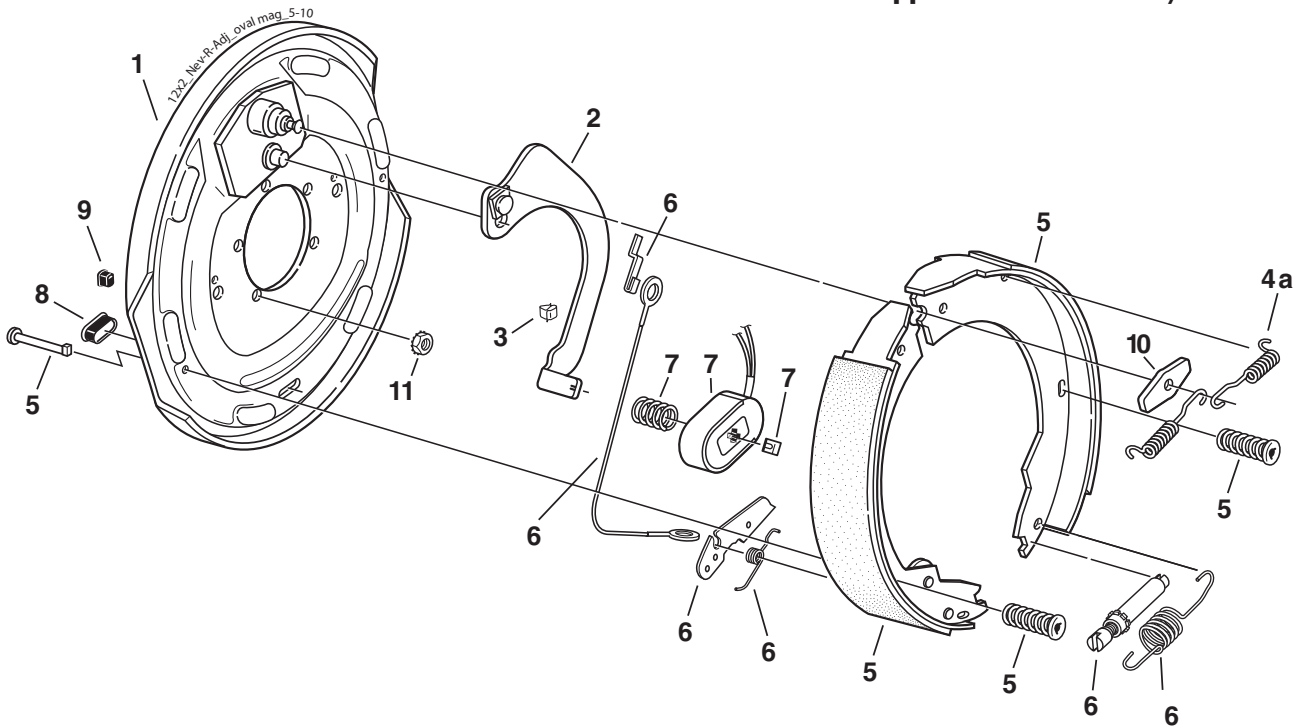


12" x 2" 7,000 lbs. Nev-R-Adjust® Electric Brake



CSA approved at 7000 lbs. / 13.8 SLR

**5500-7000 LBS.
CAPACITY**

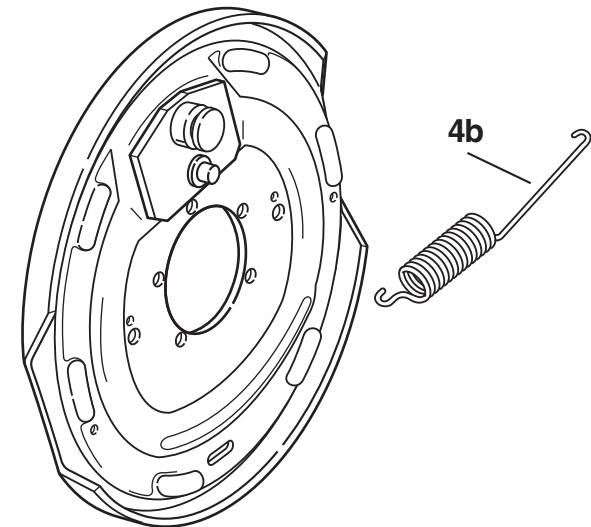


Electric Brake 7000 lbs.

Item	Part No.	Qty/Brk	Description
0	K23-464-00	1	LH Complete Brake Assembly
0	K23-465-00	1	RH Complete Brake Assembly (shown)
1	036-089-10	1	Backing Plate Assembly (after 3/18)
2	047-107-05	1	LH Actuating Lever Arm Assembly
2	047-108-05	1	RH Actuating Lever Arm Assembly
3	027-005-00	2	Wire Clip
4a	046-009-00	2	Retractor Spring (before 3/18 and after 11/19)
4b	046-005-00	1	Retractor Spring (Between 3/18 - 11/19)
5	K71-675-00	1	LH Shoe & Lining Kit Contains: 1 040-215-00 Primary Shoe & Lining 1 040-216-01 Secondary Shoe & Lining 2 049-002-00 Shoe Hold Down Pin 2 2 046-077-00 Shoe Hold Down Spring & Cup
5	K71-676-00	1	RH Shoe & Lining Kit Contains: 1 040-215-00 Primary Shoe & Lining 1 040-216-02 Secondary Shoe & Lining 2 049-002-00 Shoe Hold Down Pin 2 2 046-077-00 Shoe Hold Down Spring & Cup
6	K71-679-00	1	LH & RH Brake Adjuster Kit Contains: 2 046-139-00 Adjusting Screw Spring 1 046-140-00 LH Lever Spring 1 046-141-00 RH Lever Spring 1 048-022-00 LH Adjuster Assembly 1 048-023-00 RH Adjuster Assembly 2 071-528-00 Adjuster Cable 2 071-529-00 Hook for Cable 1 071-530-01 LH Adjusting Lever 1 071-530-02 RH Adjusting Lever
7	K71-125-00	1	Magnet Kit Contains: 1 042-143-00 Magnet (black wire) 1 027-009-00 Magnet Clip 1 046-080-00 Magnet Spring (before 7/16) 1 046-175-00 Magnet Spring (after 7/16)
8	046-007-00	2	Adjuster Slot Plug
9	046-016-00	1	Wire Grommet
10	005-067-00	1	Anchor Post Washer
*11	006-193-00	5	Nut Washer Assembly

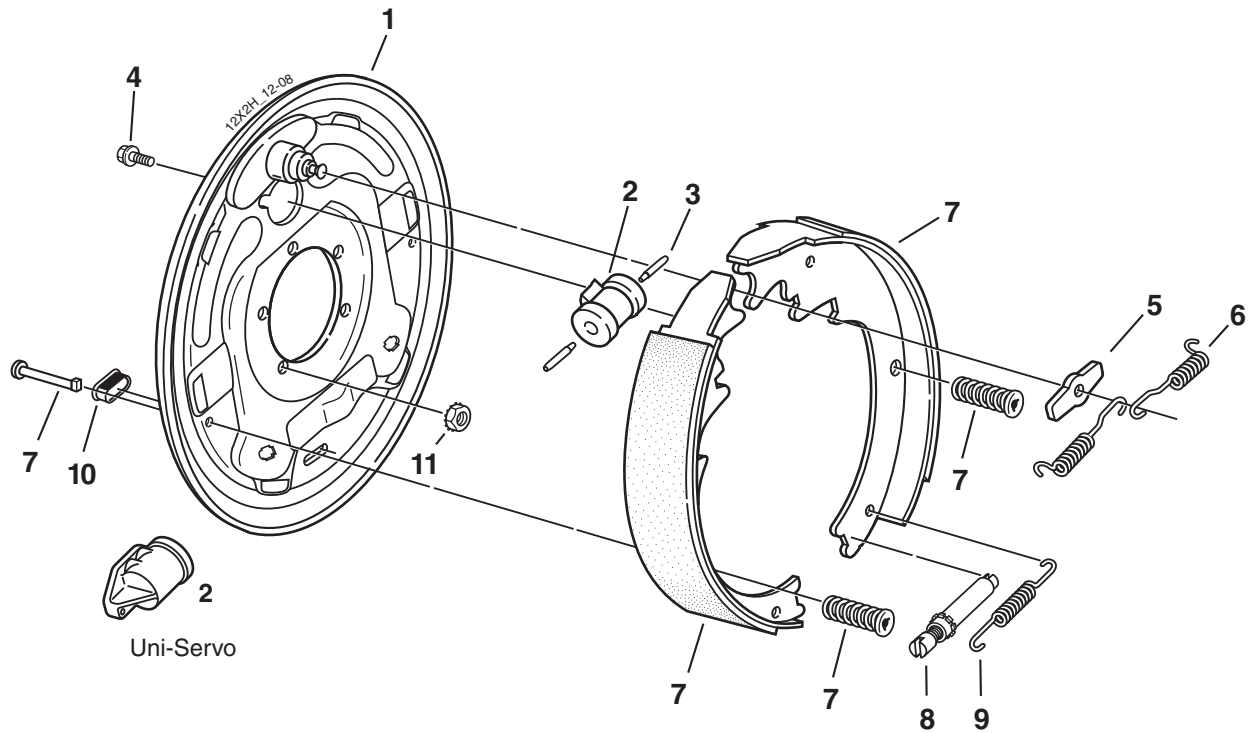
* Not included with complete brake assembly. Item sold separately.

Between 3/18 - 11/19 Single Retractor Spring Components



**See page 5 for an overview of the
Nev-R-Adjust® electric brakes**

12" x 2" 7,000 lbs. Hydraulic Brake



**5500-7000 LBS.
CAPACITY**

Hydraulic Brake 7000 lbs.

Item	Part No.	Qty/Brk	Description
0	K23-338-00	1	LH Complete Brake Assembly - US
0	K23-339-00	1	RH Complete Brake Assembly - US (shown)
0	K23-336-00	1	LH Complete Brake Assembly - DS
0	K23-337-00	1	RH Complete Brake Assembly - DS (shown)
1	036-093-08	1	Backing Plate Assembly
2	054-064-00	1	LH Brake Cylinder Uni-Servo
2	054-065-00	1	RH Brake Cylinder Uni-Servo
2	054-062-00	1	LH Brake Cylinder Duo-Servo
2	054-063-00	1	RH Brake Cylinder Duo-Servo
3	054-060-00	1 or 2	Cylinder Push Rod US (1) DS (2)
4	087-001-00	2	Sems (screw & washer assembly)
5	005-113-00	1	Anchor Post Washer
6	046-101-00	2	Retractor Spring
7	K71-269-00	1	LH Shoe & Lining Kit Contains: 1 040-219-00 LH Primary Shoe & Lining 1 040-218-02 LH Secondary Shoe & Lining 2 046-077-00 Shoe Hold Down Spring & Cup 2 049-012-00 Shoe Hold Down Pin 4
7	K71-270-00	1	RH Shoe & Lining Kit Contains: 1 040-219-00 RH Primary Shoe & Lining 1 040-218-01 RH Secondary Shoe & Lining 2 046-077-00 Shoe Hold Down Spring & Cup 2 049-012-00 Shoe Hold Down Pin 4
8	043-029-00	1	Adjuster Assembly
9	046-102-00	1	Adjusting Screw Spring
10	046-007-00	1	Adjuster Slot Plug
*11	006-193-00	5	Nut Washer Assembly
ns	054-089-00	1	Bleeder Screw (included with item 2)

ns - not shown

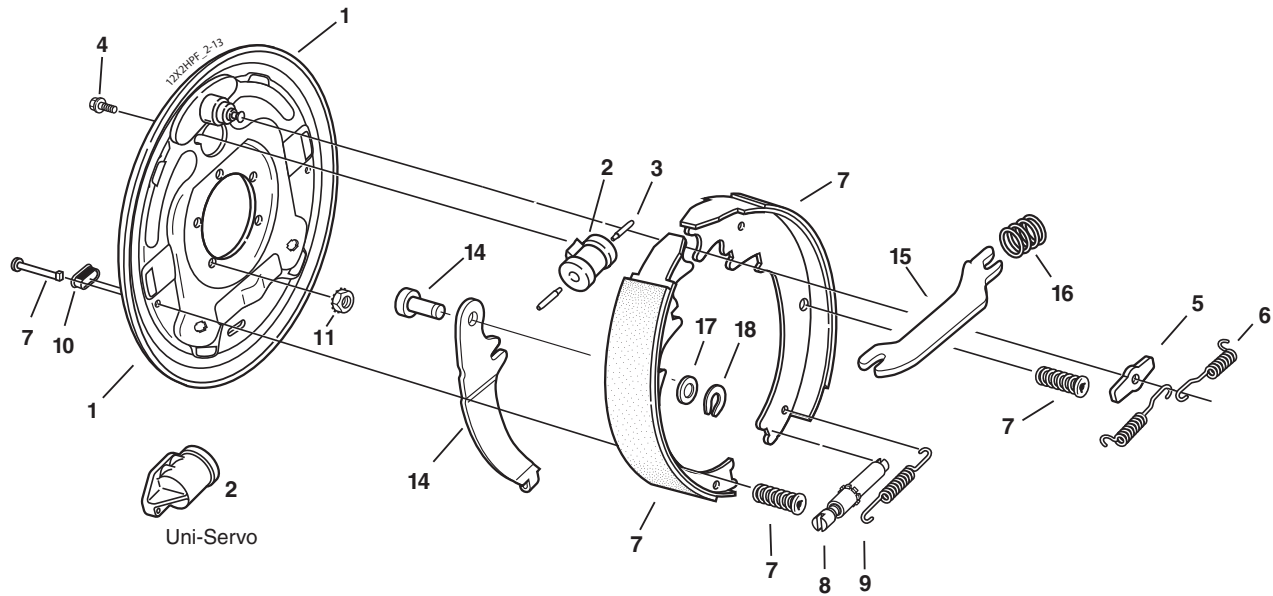
* Not included with complete brake assembly. Item sold separately.

Note: Uni-Servo brakes to be used with surge actuator

12" x 2" 7,000 lbs. Hydraulic Brake With Parking Feature



**5500-7000 LBS.
CAPACITY**



Hydraulic Parking Brake 7000 lbs.

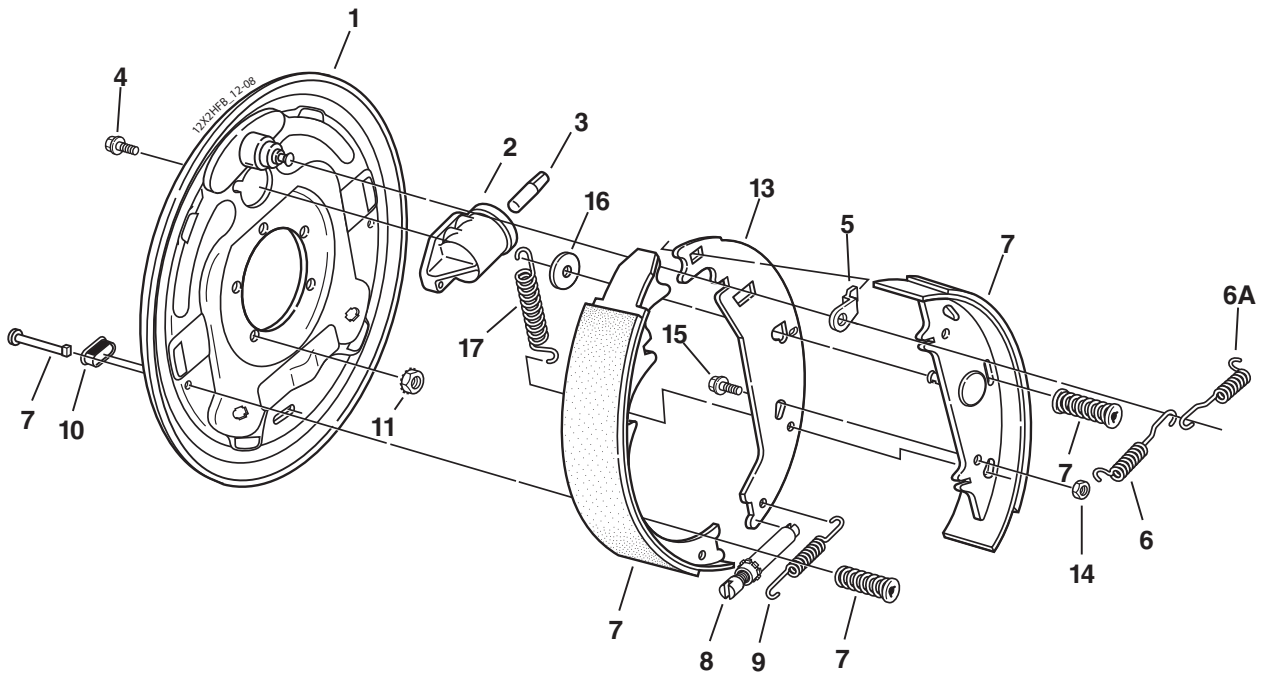
Note: Uni-Servo brakes to be used with surge actuator

Item	Part No.	Qty/Brk	Description
0	K23-332-00	1	LH Complete Brake Assembly-DS
0	K23-333-00	1	RH Complete Brake Assembly-DS (shown)
0	K23-334-00	1	LH Complete Brake Assembly-US
0	K23-335-00	1	RH Complete Brake Assembly-US (shown)
1	036-093-15	1	LH Backing Plate Assembly
1	036-093-16	1	RH Backing Plate Assembly
2	054-062-00	1	LH Brake Cylinder Duo-Servo
2	054-063-00	1	RH Brake Cylinder Duo-Servo
2	054-064-00	1	LH Brake Cylinder Uni-Servo
2	054-065-00	1	RH Brake Cylinder Uni-Servo
3	054-060-00	1 or 2	Cylinder Push Rod US (1) DS (2)
4	087-001-00	2	Sems (screw & washer assembly)
5	005-113-00	1	Anchor Post Washer
6	046-101-00	2	Retractor Spring
7	K71-269-00	1	LH Shoe & Lining Kit Contains: 1 040-219-00 Primary Shoe & Lining 1 040-218-02 Secondary Shoe & Lining 2 046-077-00 Shoe Hold Down Spring & Cup 2 049-012-00 Shoe Hold Down Pin 4
7	K71-270-00	1	RH Shoe & Lining Kit Contains: 1 040-219-00 Primary Shoe & Lining 1 040-218-01 Secondary Shoe & Lining 2 046-077-00 Shoe Hold Down Spring & Cup 2 049-012-00 Shoe Hold Down Pin 4
8	043-029-00	1	Adjuster Assembly
9	046-102-00	1	Adjusting Screw Spring
10	046-007-00	1	Adjuster Slot Plug
*11	006-193-00	5	Nut Washer Assembly
14	047-110-01	1	LH Parking Lever and Pin
14	047-111-01	1	RH parking Lever and Pin
15	047-109-00	1	Parking Strut
16	046-103-00	1	Parking Strut Spring
17	005-112-00	1	Spring Tension Washer
18	069-055-00	1	Retainer
ns	054-089-00	1	Bleeder Screw (included with item 2)
*ns	071-515-00	1	Park Brake Cable

ns - not shown

* Not included with complete brake assembly. Item sold separately.

12" x 2" 7,000 lbs. Hydraulic Brake Free Backing



**5500-7000 LBS.
CAPACITY**

Note: Uni-Servo brakes to be used with surge actuator

Hydraulic Free Backing Brake 7000 lbs.

Item	Part No.	Qty/Brk	Description
0	K23-342-00	1	LH Complete Brake Assembly
0	K23-343-00	1	RH Complete Brake Assembly (shown)
1	036-093-08	1	Backing Plate Assembly
2	054-064-00	1	LH Brake Cylinder Uni-Servo
2	054-065-00	1	RH Brake Cylinder Uni-Servo
3	054-060-00	1	Cylinder Push Rod
4	087-001-00	2	Sems (screw & washer assembly)
5	037-069-02	1	Travel Link
6	046-101-00	1	Retractor Spring
6A	046-107-01	1	Shoe Lever Return Spring
7	K71-394-00	1	LH Shoe & Lining Kit Contains: 1 040-243-08 LH Primary Shoe & Lining 1 040-315-02 LH Secondary Shoe & Lining 1 046-077-00 Shoe Hold Down Spring & Cup-Sec. 2 035-001-00 Shoe Hold Down Cup-Primary 1 046-006-00 Shoe Hold Down Spring-Primary 1 049-013-00 Shoe Hold Down Pin 1-Primary 1 049-002-00 Shoe Hold Down Pin 8-Sec.
7	K71-395-00	1	RH Shoe & Lining Kit Contains: 1 040-243-09 RH Primary Shoe & Lining 1 040-315-01 RH Secondary Shoe & Lining 1 046-077-00 Shoe Hold Down Spring & Cup-Sec. 2 035-001-00 Shoe Hold Down Cup-Primary 1 046-006-00 Shoe Hold Down Spring-Primary 1 049-013-00 Shoe Hold Down Pin 1-Primary 1 049-002-00 Shoe Hold Down Pin 8-Sec.
8	043-028-00	1	Adjuster Assembly
9	046-123-00	1	Adjusting Screw Spring
10	046-007-00	1	Adjuster Slot Plug
*11	006-193-00	5	Nut Washer Assembly
13	040-244-01	1	Shoe Lever
14	006-011-00	1	Locknut
15	007-210-00	1	Screw
16	005-064-00	1	Washer
17	046-108-01	1	Primary Shoe Return Spring
ns	054-089-00	1	Bleeder Screw (included with item 2)

Hydraulic Free Backing Brake Corrosion Resistant 7000 lbs.

Item	Part No.	Qty/Brk	Description
0	K23-342-01	1	LH Complete Brake Assembly
0	K23-343-01	1	RH Complete Brake Assembly
1	036-093-09	1	Backing Plate Assembly
2	054-064-01	1	LH Brake Cylinder Uni-Servo
2	054-065-01	1	RH Brake Cylinder Uni-Servo
3	054-060-00	1	Cylinder Push Rod
4	087-001-00	2	Sems (screw & washer assembly)
5	037-069-02	1	Travel Link
6	046-101-00	1	Retractor Spring
6A	046-107-03	1	Shoe Lever Return Spring
7	K71-427-00	1	LH Shoe & Lining Kit Contains: 1 040-243-06 LH Primary Shoe & Lining 1 040-315-06 LH Secondary Shoe & Lining 1 046-077-01 Shoe Hold Down Spring & Cup-Sec. 2 035-001-00 Shoe Hold Down Cup-Primary 1 046-006-01 Shoe Hold Down Spring & Cup-Prim. 1 049-013-00 Shoe Hold Down Pin 1-Primary 1 049-002-00 Shoe Hold Down Pin 8-Sec.
7	K71-428-00	1	RH Shoe & Lining Kit Contains: 1 040-243-07 RH Primary Shoe & Lining 1 040-315-05 RH Secondary Shoe & Lining 1 046-077-01 Shoe Hold Down Spring & Cup-Sec. 2 035-001-00 Shoe Hold Down Cup-Primary 1 046-006-01 Shoe Hold Down Spring & Cup-Prim. 1 049-013-00 Shoe Hold Down Pin 1-Primary 1 049-002-00 Shoe Hold Down Pin 8-Sec.
8	043-028-00	1	Adjuster Assembly
9	046-123-01	1	Adjusting Screw Spring
10	046-007-00	1	Adjuster Slot Plug
*11	006-193-00	5	Nut Washer Assembly
13	040-244-02	1	Shoe Lever
14	006-011-00	1	Locknut
15	007-210-00	1	Screw
16	005-064-00	1	Washer
17	046-108-03	1	Primary Shoe Return Spring
ns	054-089-00	1	Bleeder Screw (included with item 2)

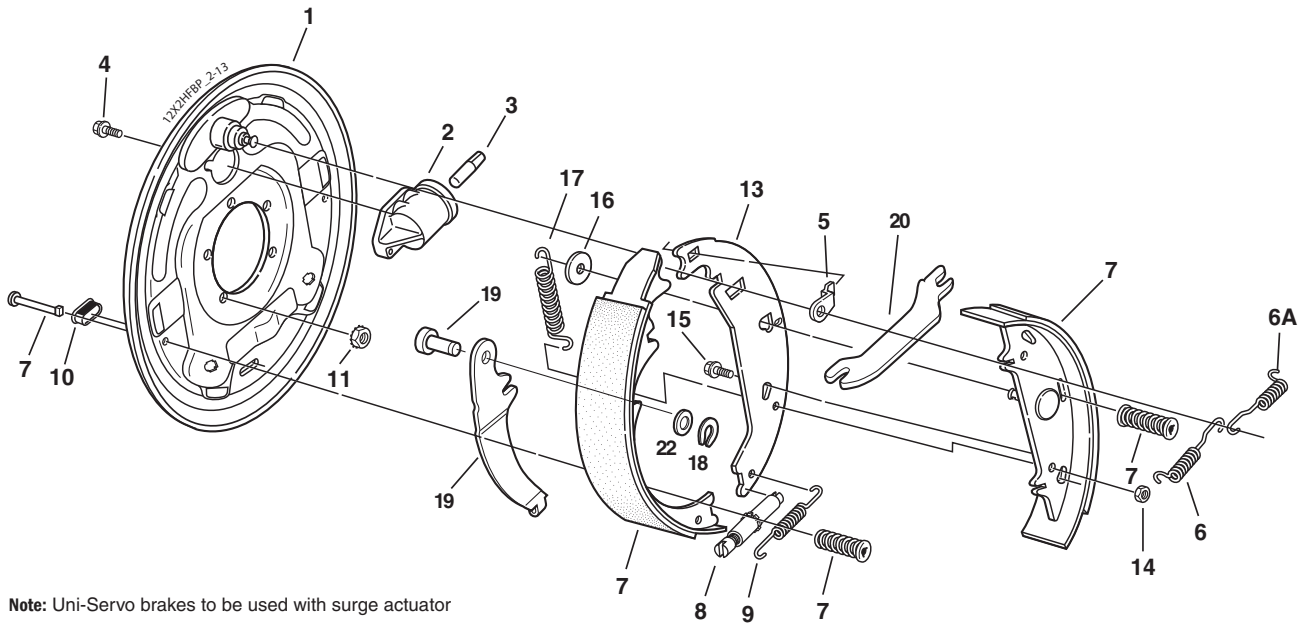
ns - not shown

* Not included with complete brake assembly. Item sold separately.

12" x 2" 7,000 lbs. Hydraulic Brake Free Backing Parking Feature



**5500-7000 LBS.
CAPACITY**



Note: Uni-Servo brakes to be used with surge actuator

Hydraulic Free Backing Parking Brake 7000 lbs.

Item	Part No.	Qty/Brk	Description
0	K23-340-00	1	LH Complete Brake Assembly
0	K23-341-00	1	RH Complete Brake Assembly (shown)
1	036-093-15	1	LH Backing Plate Assembly
1	036-093-16	1	RH Backing Plate Assembly
2	054-064-00	1	LH Brake Cylinder Uni-Servo
2	054-065-00	1	RH Brake Cylinder Uni-Servo
3	054-060-00	1	Cylinder Push Rod
4	087-001-00	2	Sems (screw & washer assembly)
5	037-069-02	1	Travel Link
6	046-101-00	1	Retractor Spring
6A	046-107-01	1	Shoe Lever Return Spring
7	K71-394-00	1	LH Shoe & Lining Kit Contains:
	1 040-243-08		LH Primary Shoe & Lining
	1 040-315-02		LH Secondary Shoe & Lining
	1 046-077-00		Shoe Hold Down Spring & Cup-Sec.
	2 035-001-00		Shoe Hold Down Cup-Primary
	1 046-006-00		Shoe Hold Down Spring-Primary
	1 049-013-00		Shoe Hold Down Pin 1-Primary
	1 049-002-00		Shoe Hold Down Pin 8-Sec.
7	K71-395-00	1	RH Shoe & Lining Kit Contains:
	1 040-243-09		RH Primary Shoe & Lining
	1 040-315-01		RH Secondary Shoe & Lining
	1 046-077-00		Shoe Hold Down Spring & Cup-Sec.
	2 035-001-00		Shoe Hold Down Cup-Primary
	1 046-006-00		Shoe Hold Down Spring-Primary
	1 049-013-00		Shoe Hold Down Pin 1-Primary
	1 049-002-00		Shoe Hold Down Pin 8-Sec.
8	043-028-00	1	Adjuster Assembly
9	046-123-00	1	Adjusting Screw Spring
10	046-007-00	1	Adjuster Slot Plug
*11	006-193-00	5	Nut Washer Assembly
13	040-244-01	1	Shoe Lever
14	006-011-00	1	Locknut
15	007-210-00	1	Screw
16	005-064-00	1	Washer
17	046-108-01	1	Primary Shoe Return Spring
18	069-055-00	1	Retainer
19	047-110-01	1	LH Parking Lever and Pin
19	047-111-01	1	RH Parking Lever and Pin
20	047-119-01	1	Strut for Parking Brake
22	005-112-00	1	Washer
ns	054-089-00	1	Bleeder Screw (included with item 2)
*ns	071-515-00	1	Park Brake Cable

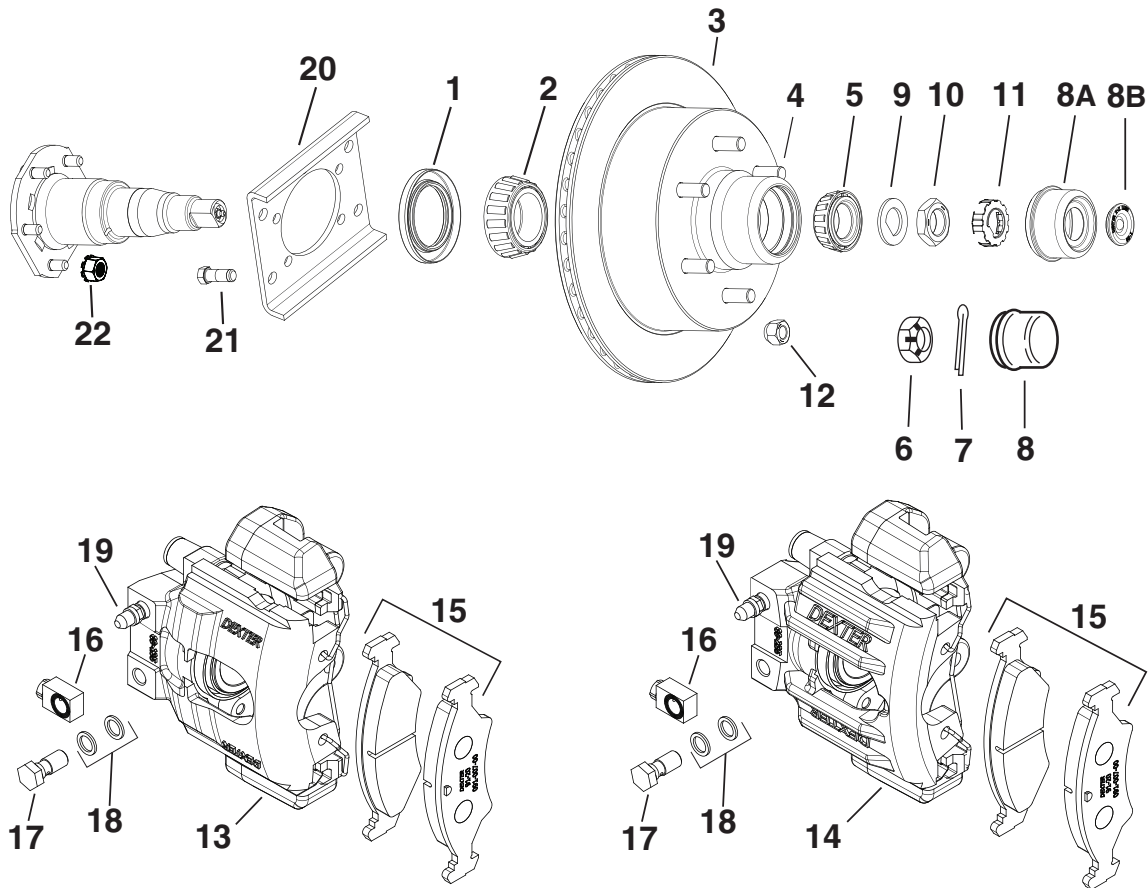
ns - not shown

* Not included with complete brake assembly. Item sold separately.

Hydraulic Free Backing Parking Brake Corrosion Resistant 7000 lbs.

Item	Part No.	Qty/Brk	Description
0	K23-340-01	1	LH Complete Brake Assembly
0	K23-341-01	1	RH Complete Brake Assembly
1	036-093-17	1	LH Backing Plate Assembly
1	036-093-18	1	RH Backing Plate Assembly
2	054-064-01	1	LH Brake Cylinder Uni-Servo
2	054-065-01	1	RH Brake Cylinder Uni-Servo
3	054-060-00	1	Cylinder Push Rod
4	087-001-00	2	Sems (screw & washer assembly)
5	037-069-02	1	Travel Link
6	046-101-00	1	Retractor Spring
6A	046-107-03	1	Shoe Lever Return Spring
7	K71-427-00	1	LH Shoe & Lining Kit Contains:
	1 040-243-06		LH Primary Shoe & Lining
	1 040-315-06		LH Secondary Shoe & Lining
	1 046-077-01		Shoe Hold Down Spring & Cup-Sec.
	2 035-001-00		Shoe Hold Down Cup-Primary
	1 046-006-01		Shoe Hold Down Spring-Primary
	1 049-013-00		Shoe Hold Down Pin 1-Primary
	1 049-002-00		Shoe Hold Down Pin 8-Sec.
7	K71-428-00	1	RH Shoe & Lining Kit Contains:
	1 040-243-07		RH Primary Shoe & Lining
	1 040-315-05		RH Secondary Shoe & Lining
	1 046-077-01		Shoe Hold Down Spring & Cup-Sec.
	2 035-001-00		Shoe Hold Down Cup-Primary
	1 046-006-01		Shoe Hold Down Spring-Primary
	1 049-013-00		Shoe Hold Down Pin 1-Primary
	1 049-002-00		Shoe Hold Down Pin 8-Sec.
8	043-028-00	1	Adjuster Assembly
9	046-123-01	1	Adjusting Screw Spring
10	046-007-00	1	Adjuster Slot Plug
*11	006-193-00	5	Nut Washer Assembly
13	040-244-02	1	Shoe Lever
14	006-011-00	1	Locknut
15	007-210-00	1	Screw
16	005-064-00	1	Washer
17	046-108-03	1	Primary Shoe Return Spring
18	069-055-00	1	Retainer
19	047-110-01	1	LH Parking Lever and Pin
19	047-111-01	1	RH Parking Lever and Pin
20	047-119-01	1	Strut for Parking Brake
22	005-112-00	1	Washer
ns	054-089-00	1	Bleeder Screw (included with item 2)

Disc Brake for 6,000 lbs. Axles - Integral Hub & Rotor



**5500-7000 LBS.
CAPACITY**

Grease Lube Parts

Item	Part No.	Description
1	010-036-00	Grease Seal for E-Z Lube®
2	031-030-02	L25580 Inner Bearing Cone
5	031-029-02	L15123 Outer Bearing Cone
6	006-176-00	Spindle Nut
7	019-002-00	Cotter Pin
8	021-001-01	Grease Cap
8A	021-042-01	Grease Cap for E-Z Lube®
8B	085-001-00	Rubber Plug for E-Z Lube®
9	005-023-00	Spindle Washer
10	006-191-00	Special Jam Nut for E-Z Lube® (after 2002)
11	006-190-00	Spindle Nut Retainer for E-Z Lube® (after 2002)

Hubs & Rotors

Item	Part No.	Description	Bolt Circle
3	008-440-05	Integral Hub & Rotor 9.75" Zinc Plated	6 on 5.50

Caliper Components

Item	Part No.	Description
15	091-007-00	Brake Pad
16	034-323-00	Banjo Fitting
17	007-307-00	Banjo Bolt
18	005-159-00	Washer
19	054-119-00	Bleeder Screw

Disc Brake Calipers

Item	Part No.	Description
ns	089-135-23	LH Integral Zinc Caliper
13	089-135-24	RH Integral Zinc Caliper
ns	089-235-27	LH Integral Alum. Caliper
14	089-235-28	RH Integral Alum. Caliper
20	004-088-00	Caliper Mounting Bracket
21	007-299-00	Caliper Mounting Bolts
22	006-193-00	Caliper Mounting Nut

ns - not shown

Note: Spindle is not available for resale. Mounting bracket is part of caliper.

Studs & Wheel Nuts

Item	Part No.	Description
4	007-312-00	½-20 Pressed Wheel Stud - 2" Long
4	007-314-00	½-20 Pressed Wheel Stud - 1.75" Long
12	006-080-00	½-20 60° Cone Nut

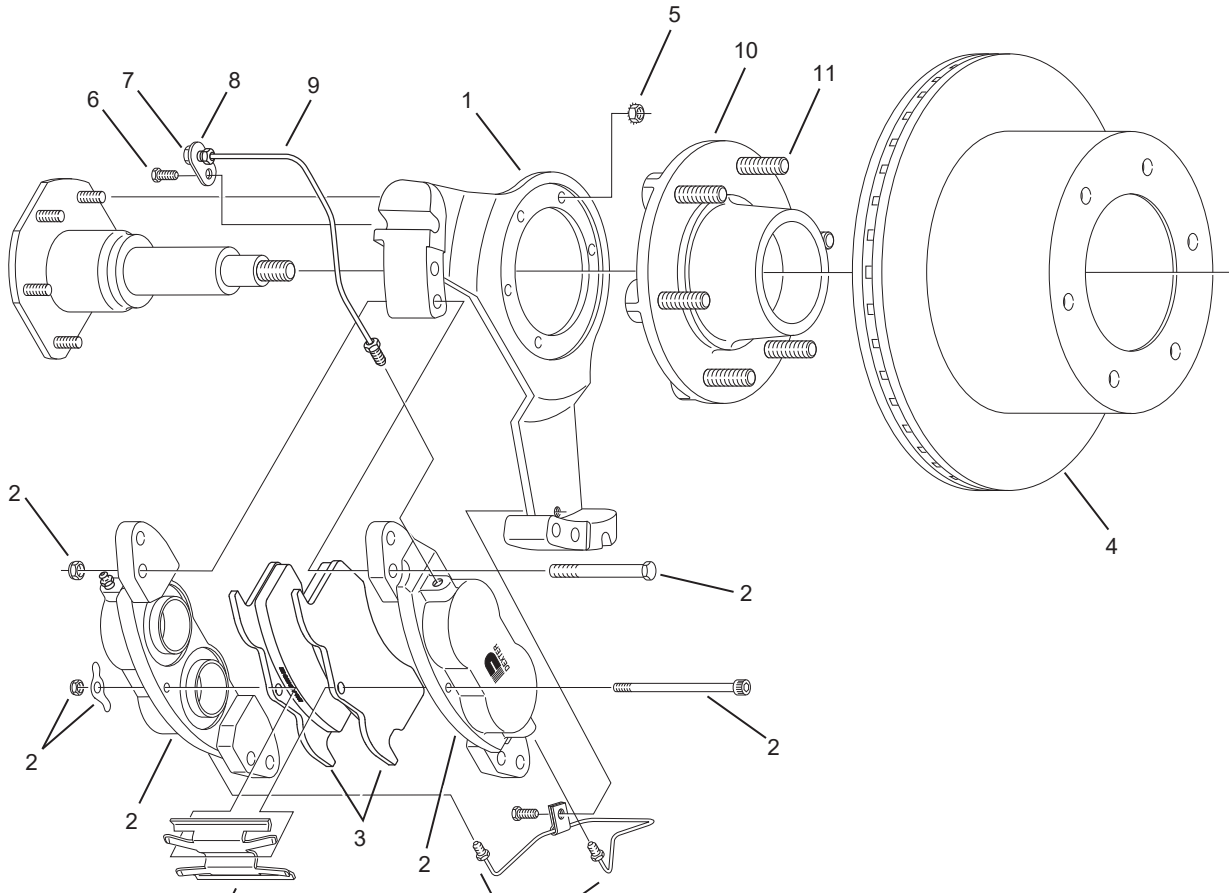
Disc Brake for 6,000 lbs. Axles



Service Parts Only

CSA approved at 6000 lbs. /14.3 SLR

5500-7000 LBS. CAPACITY



Disc Brake 6000 lbs.

Item	Part No.	Qty/Brk	Description
1	090-005-01	1	LH Anchor Yoke
1	090-005-02	1	RH Anchor Yoke (shown)
2	K71-636-00	1	Caliper Assembly Kit for LH or RH Contains:
	4 006-045-00		Caliper Mounting Nut
	1 006-289-00		Nut
	4 007-254-00		Caliper Mounting Bolt
	1 007-469-00		Hex Bolt
	1 019-019-00		Cotter Ring
	1 027-060-00		Tube Clamp
	1 046-145-00		Anti-Rattle Spring
	1 046-218-00		Spring Tension Clip
	1 054-092-00		Bleeder Screw
	1 054-094-00		Adapter Fitting
	1 071-513-00		Cross Over Hydraulic Line (yokes without notch)
	1 071-517-00		Cross Over Hydraulic Line (yokes with notch)
	1 087-002-00		Hex Bolt
	2 089-005-06		Assembled Caliper Half
6	087-002-00	1	Hex Bolt
7	071-A73-00	1	Brass Union Fitting 3/16" to 3/16" Inverted Flare
8	070-031-01	1	Brake Line Mounting Plate
9	071-840-00	1	RH Brake Line Remote Inlet
9	071-841-00	1	LH Brake Line Remote Inlet
3	K71-629-00	1	Brake Pad Kit (axle set)
4	K71-637-00	1	Rotor Kit
5	006-193-00	5	3/8" Brake Mounting Nut-Washer Assembly

Disc Brake 6000 lbs. With 42MM Nev-R-Lube®

Item	Part No.	Qty/Brk	Description
1	090-006-01	1	LH Anchor Yoke
1	090-006-02	1	RH Anchor Yoke
2	K71-636-00	1	Caliper Assembly Kit for LH or RH Contains:
	4 006-045-00		Caliper Mounting Nut
	1 006-289-00		Nut
	4 007-254-00		Caliper Mounting Bolt
	1 007-469-00		Hex Bolt
	1 019-019-00		Cotter Ring
	1 027-060-00		Tube Clamp
	1 046-145-00		Anti-Rattle Spring
	1 046-218-00		Spring Tension Clip
	1 054-092-00		Bleeder Screw
	1 054-094-00		Adapter Fitting
	1 071-513-00		Cross Over Hydraulic Line (yokes without notch)
	1 071-517-00		Cross Over Hydraulic Line (yokes with notch)
	1 087-002-00		Hex Bolt
	2 089-005-06		Assembled Caliper Half
6	087-002-00	1	Hex Bolt
7	071-A73-00	1	Brass Union Fitting 3/16" to 3/16" Inverted Flare
8	070-031-01	1	Brake Line Mounting Plate
9	071-840-00	1	RH Brake Line Remote Inlet
9	071-841-00	1	LH Brake Line Remote Inlet
3	K71-629-00	1	Brake Pad Kit (axle set)
4	K71-637-00	1	Rotor Kit
5	006-193-00	5	3/8" Brake Mounting Nut-Washer Assembly

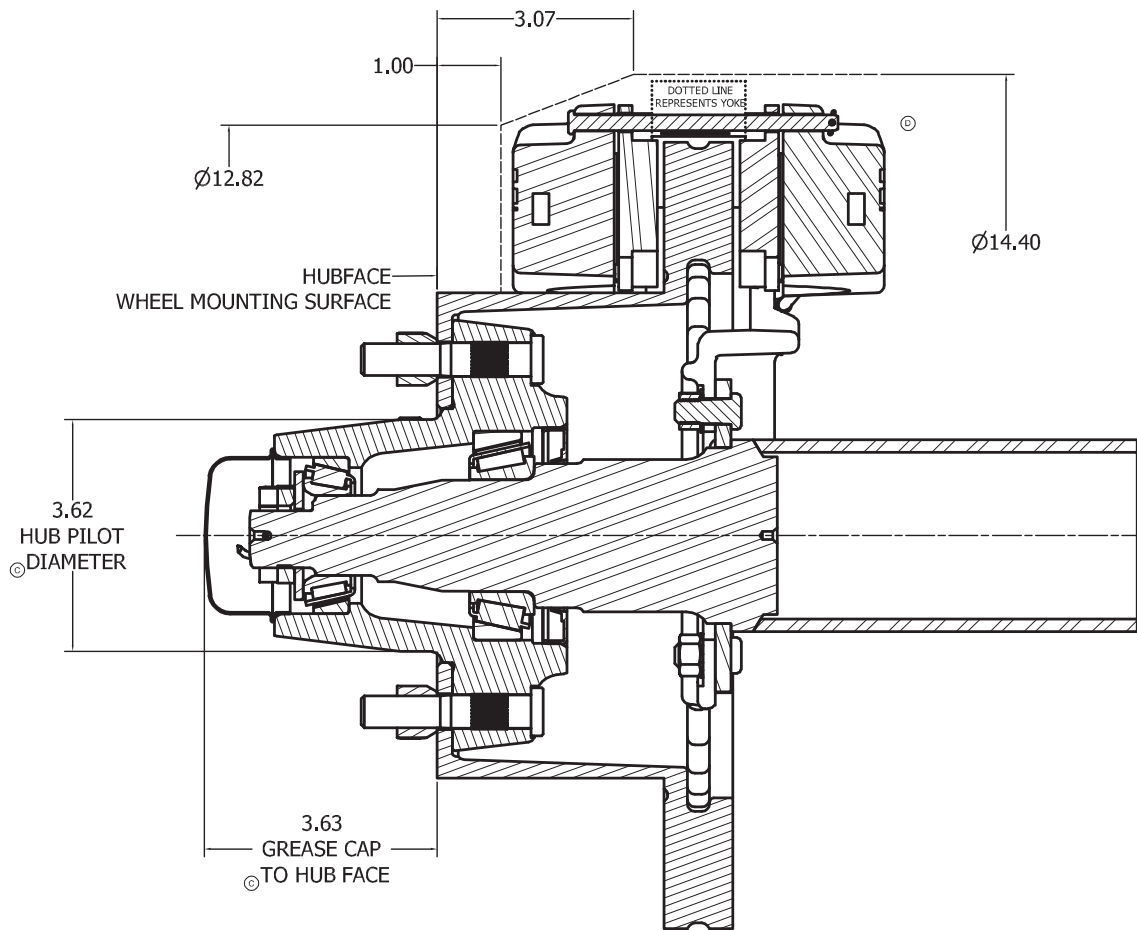
Disc Brake Hubs & Studs

Item	Part No.	Qty/Brk	Description
10	008-403-05	1	Grease 1/2" Studs 6 on 5.50
11	007-262-00	6	1/2-20 x 2.70" Press-in Stud (hubs after 2/09)

Nev-R-Lube® Disc Brake Hubs

Item	Part No.	Qty/Brk	Description
10	008-404-80	1	1/2" Studs, 42mm 6 on 5.50
11	007-262-00	6	1/2-20 x 2.70" Press-in Stud (hubs after 2/09)

Recommended Wheel Clearance for 6,000 lbs. Disc Brake



**5500-7000 LBS.
CAPACITY**

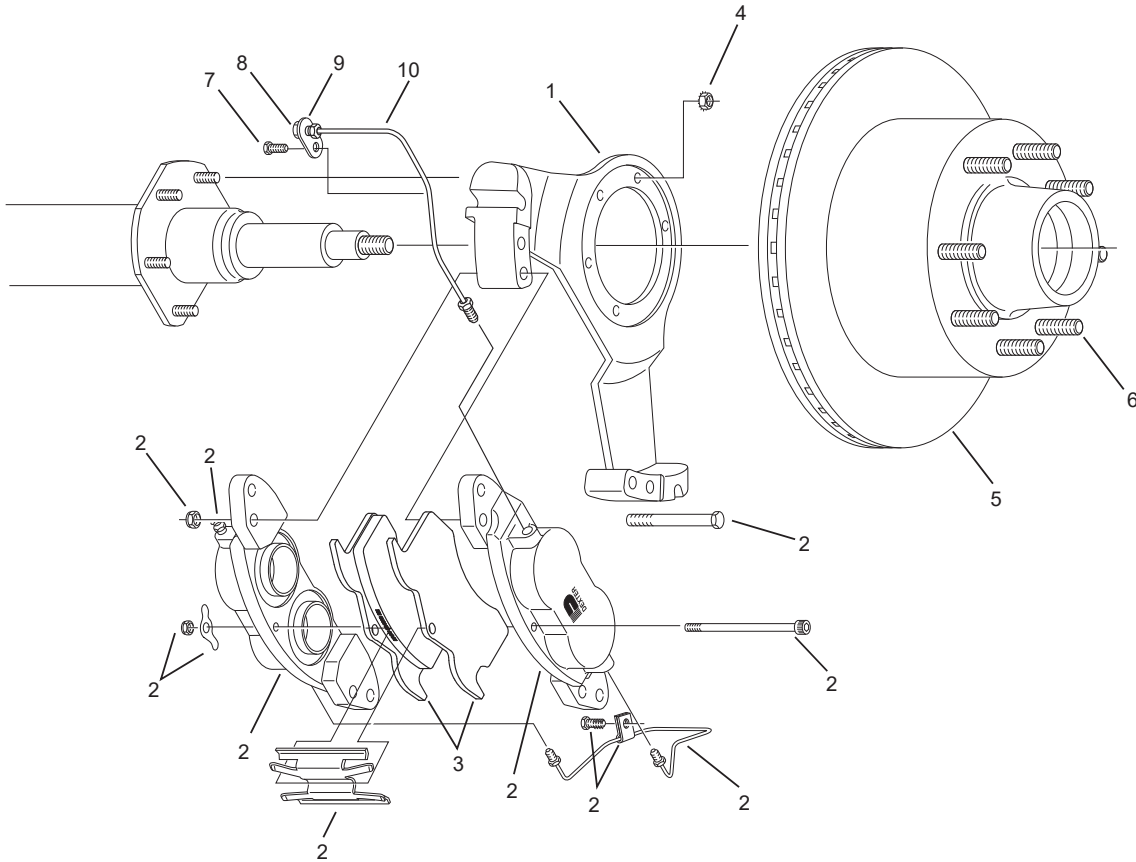
CAUTION: The above hub/rotor profile shows the minimum clearance needed to ensure that no part of the wheel makes contact with any brake component.

Make sure the wheel is in full contact with the hub face and does not drag against the brake caliper. If there is not full contact with the hub face, you may experience a dangerous wheel separation.

Disc Brake for 7,000 lbs. Axles



**5500-7000 LBS.
CAPACITY**



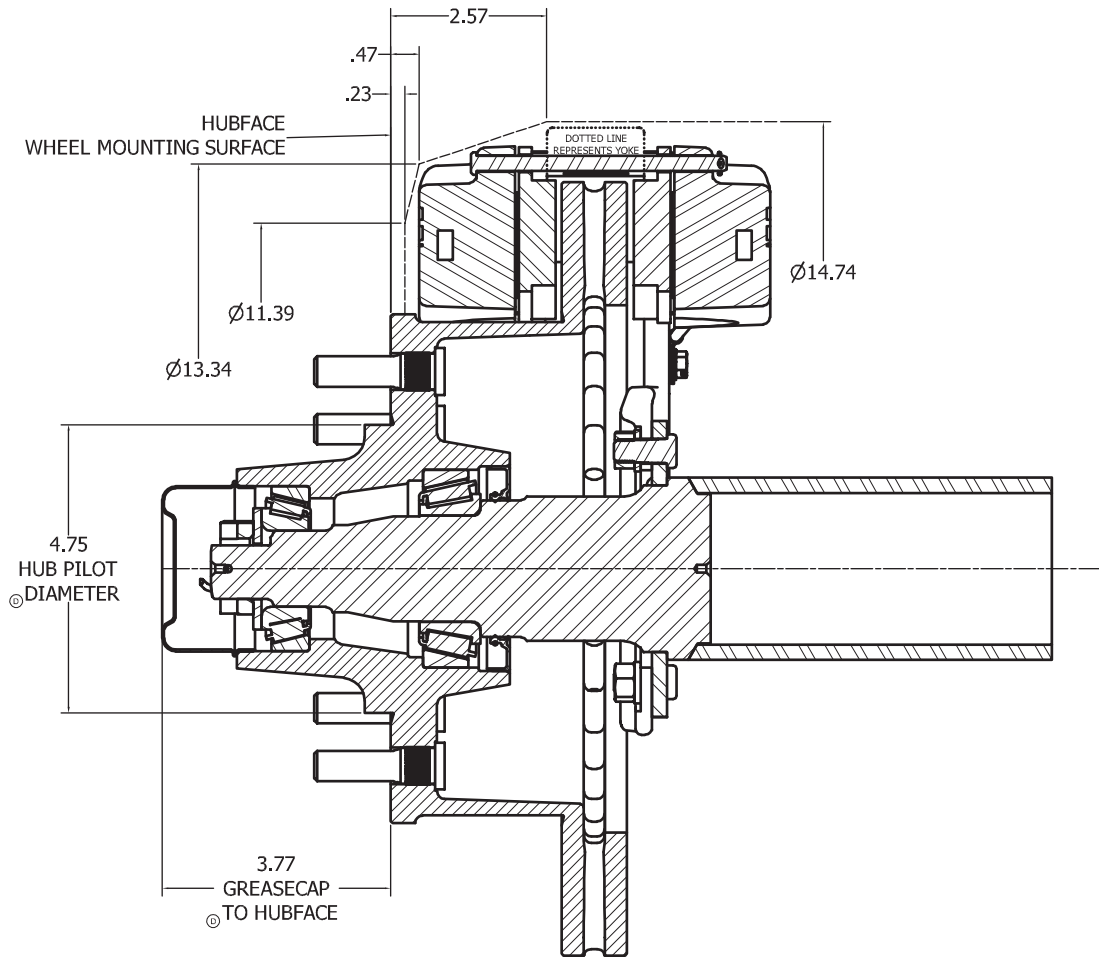
Disc Brake 7000 lbs.

Item	Part No.	Qty/Brk	Description
1	090-008-01	1	LH Anchor Yoke
1	090-008-02	1	RH Anchor Yoke (shown)
2	K71-693-00	1	Caliper Assembly Kit for LH or RH Contains:
	4 006-045-00		Caliper Mounting Nut
	1 006-289-00		Nut
	4 007-254-00		Caliper Mounting Bolt
	1 007-469-00		Hex Bolt
	1 019-019-00		Cotter Ring
	1 027-060-00		Tube Clamp
	1 046-145-00		Anti-Rattle Spring
	1 046-218-00		Spring Tension Clip
	1 054-092-00		Bleeder Screw
	1 054-094-00		Adapter Fitting
	1 071-517-00		Cross Over Hydraulic Line (yokes with notch)
	1 087-002-00		Hex Bolt
	2 089-005-06		Assembled Caliper Half
7	087-002-00	1	Hex Bolt
8	071-A73-00	1	Brass Union Fitting 3/16" to 3/16" Inverted Flare
9	070-031-01	1	Brake Line Mounting Plate
10	071-840-00	1	RH Brake Line Remote Inlet
10	071-841-00	1	LH Brake Line Remote Inlet
3	K71-629-00	1	Brake Pad Kit (axle set)
4	006-193-00	5	3/8" Brake Mounting Nut-Washer Assembly

Disc Brake Hubs & Studs

Item	Part No.	Qty/Brk	Description
5	008-416-10	1	Grease 1/2" Studs 8 on 6.50
	008-416-11	1	Oil 1/2" Studs 8 on 6.50
	008-416-12	1	Grease 9/16" Studs 8 on 6.50
	008-416-13	1	Oil 9/16" Studs 8 on 6.50
	008-416-14	1	Grease 5/8" Studs 8 on 6.50
	008-416-15	1	Oil 5/8" Studs 8 on 6.50
6	007-122-00	8	1/2-20 x 1.84" Press-in Stud
	007-223-00	8	9/16-18 x 2.01" Press-in Stud
	007-224-00	8	5/8-18 x 2.50" Press-in Stud

Recommended Wheel Clearance for 7,000 lbs. Disc Brake



**5500-7000 LBS.
CAPACITY**

CAUTION: The above hub/rotor profile shows the minimum clearance needed to ensure that no part of the wheel makes contact with any brake component.

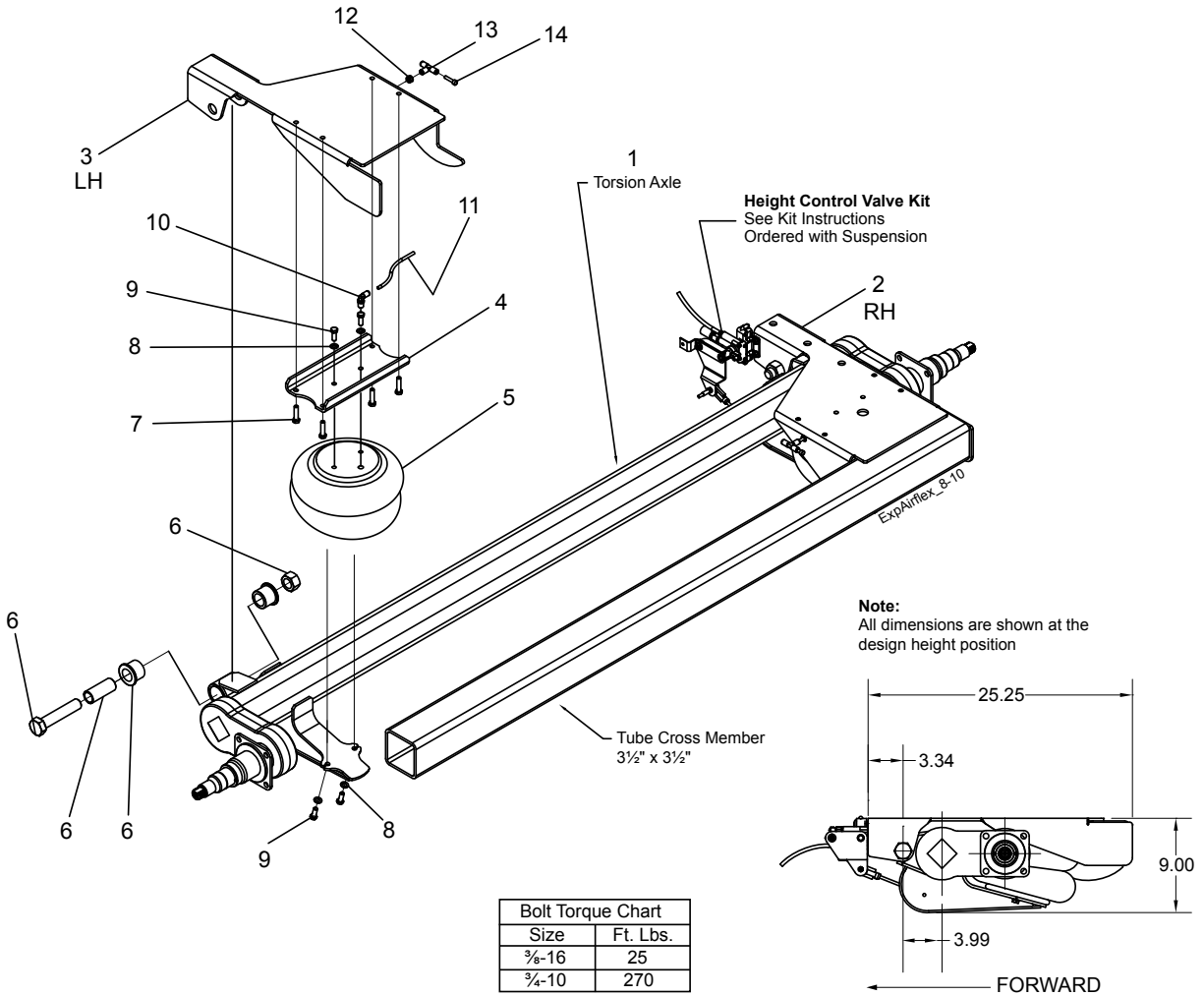
Make sure the wheel is in full contact with the hub face and does not drag against the brake caliper. If there is not full contact with the hub face, you may experience a dangerous wheel separation.

Airflex® for 7,000 lbs. Axles

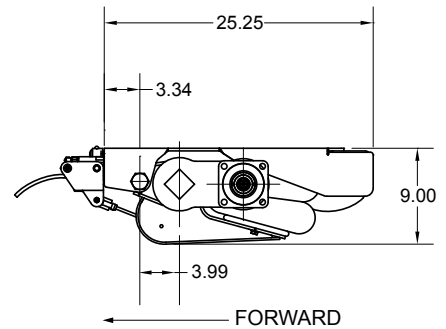


After May 2010

**5500-7000 LBS.
CAPACITY**



Bolt Torque Chart	
Size	Ft. Lbs.
3/8-16	25
3/4-10	270



AIRFLEX® Suspension Components 7000 lbs.			
Item	Part No.	Qty/Axle	Description
1	n/a	1	Torsion Axle with Suspension Brackets
2	003-327-00	1	RH Frame Bracket
3	003-326-00	1	LH Frame Bracket
4	003-323-00	2	Channel, Air Spring Support
5	W01-358-6947	2	Firestone Air Spring
6	K71-734-00	1	Airflex Pivot Bushing Replacement Kit Contains: 2 006-287-00 Nut, Hex Locking 2 007-466-00 Bolt, Hex 2 014-123-00 Pivot Bushing Assembly 2 014-127-00 Pivot Bushing Spacer
7	n/a	8	3/8-16 UNC x 1.5" LG HHCS
8	n/a	8	3/8 Regular Split Lock Washer
9	n/a	8	3/8-16 UNC x 1" LG HHCS
10	n/a	2	1/4 NPTM x 1/4 T 90° Elbow, Swivel
11	n/a	2	1/4 x 6.25" LG Nylon Tube
12	n/a	2	Grommet
13	n/a	2	1/4 T Union Tee
14	n/a	2	1/4 T Plug
Air Supply Kits			
ns	K71-692-01	-	Ride Height Control Kit
ns	K71-692-02	-	Air Supply and Control Kit
ns	K71-692-03	-	Air Control Kit Without Air Supply
ns	059-809-00	-	Installation Instructions (available on Dexter website)

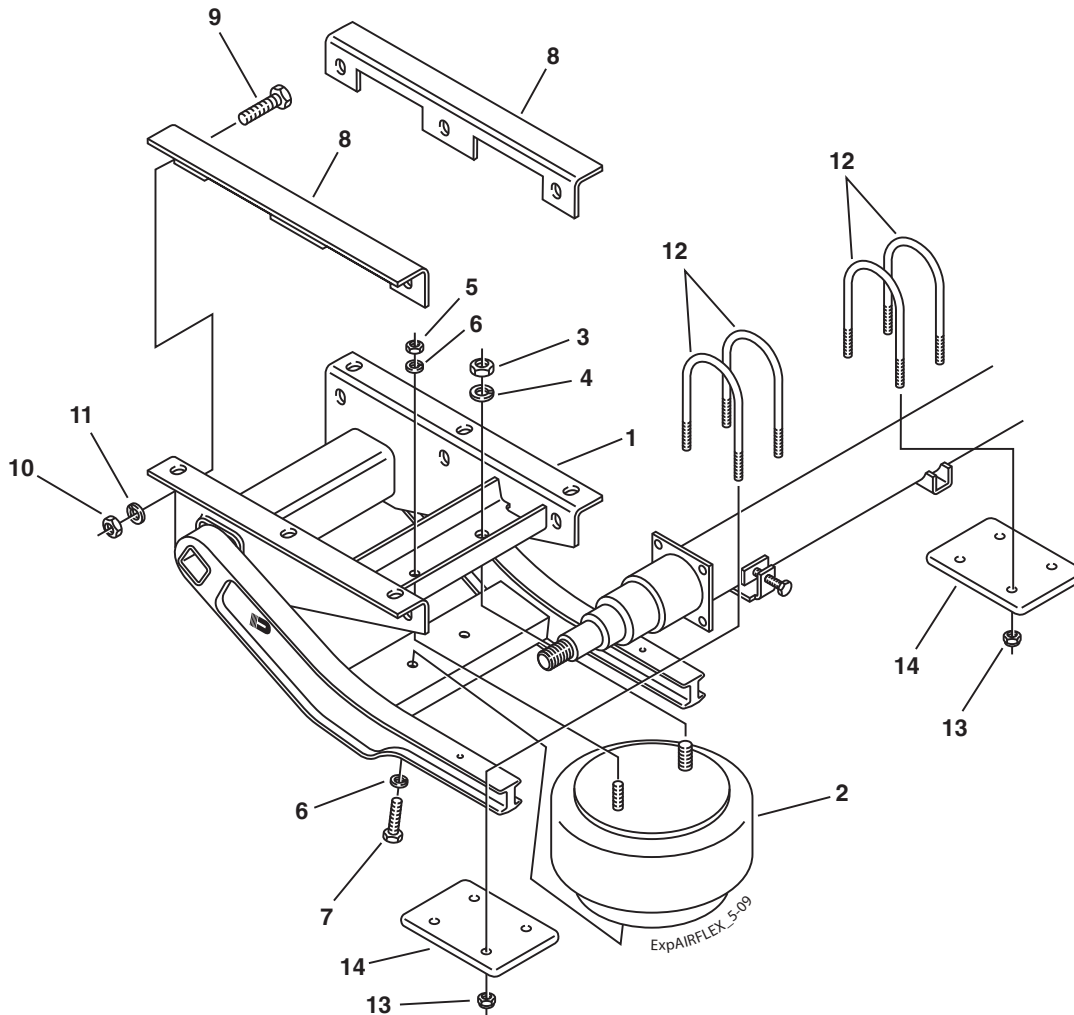
n/a - not available
ns - not shown

Please see page 9 for an overview of the Airflex® Suspension system.

Airflex® for 7,000 lbs. Axles



Before May 2010 - Service Parts Only



**5500-7000 LBS.
CAPACITY**

AIRFLEX® Suspension Components 7000 lbs.

Item	Part No.	Qty/Axle	Description
1	003-272-00	1	LH Suspension Assembly (shown) (incl. items 2-11)
1	003-273-00	1	RH Suspension Assembly (incl. items 2-11)
Air Spring & Mounting Hardware			
2	034-279-00	2	Air Spring
3	006-122-01	2	3/4"-16 Jam Nut
4	005-143-00	2	3/4" Lock Washer
5	006-116-00	2	1/2"-13 Hex Nut
6	005-058-00	6	1/2" Lock Washer
7	007-259-00	4	1/2"-13 Hex Bolt
Suspension Mounting Hardware			
8	003-261-00	2	Side Mount Bracket
9	007-177-00	6	5/8" Mounting Bolt
10	006-126-00	6	5/8" Locknut
11	005-111-00	6	5/8" Washer
Axle Attaching Hardware			
12	011-090-01	8	3/4" U-Bolt
13	006-113-00	16	3/4" Locknut
14	012-065-01	4	Tie Plate
Air Supply Kits			
ns	K71-632-01	-	Tandem Plumbing Kit with Ride Height Control Valve
ns	K71-632-02	-	Air Generation Kit (includes compressor and tank)
ns	K71-632-03	-	Manual Dump Valve Kit
ns	K71-632-04	-	Tri-Axle Conversion Plumbing Kit

ns - not shown

Please see page 9 for an overview of the Airflex® Suspension system.

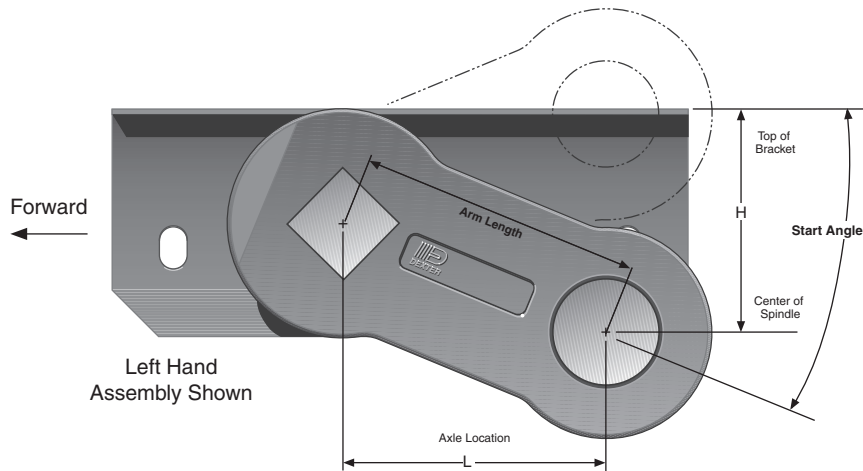
Application Information



7200 LBS. CAPACITY

- Digital service manual available at www.dexteraxle.com
- Precision machined steel spindles and integral cast iron hub/drums
- Finned brake drums for better heat dissipation
- Press-in wheel studs, 9/16" or 5/8"
- Improved bearing package; unitized seals
- Standard grease lubrication; optional oil bath; E-Z Lube® option
- 12 1/4" x 2 1/2" electric brakes, CSA approved at 7100 lbs.
- 12 1/4" x 2 1/2" self adjusting electric brake
- Inner wiring system for easier installation and protection of brake wiring

Torflex® Application Information



7200 LBS. CAPACITY

		No	Load	Full	Load	Shock	Load
Start Angle	Bracket Profile	H	L	H	L	H	L
45° Down	Low	6.24	4.24	4.30	5.54	3.17	5.88
	High	6.99	4.24	5.05	5.54	3.92	5.88
32° Down	Low	5.18	5.09	2.99	5.92	1.82	6.00
	High	5.93	5.09	3.74	5.92	2.57	6.00
22.5° Down	Low	4.30	5.54	2.00	6.00	0.83	5.88
	High	5.05	5.54	2.75	6.00	1.58	5.88
10° Down	Low	3.04	5.91	0.70	5.86	-0.42	5.49
	High	3.79	5.91	1.45	5.86	0.33	5.49
0°	Low	2.00	6.00	-0.30	5.54	-1.33	4.99
	High	2.75	6.00	0.45	5.54	-0.58	4.99
10° Up	Low	0.96	5.91	-1.22	5.06	-2.15	4.33
	High	1.71	5.91	-0.47	5.06	-1.40	4.33
22.5° Up	Low	-0.30	5.54	-2.24	4.24	-2.99	3.33
	High	0.45	5.54	-1.49	4.24	-2.24	3.33



ARTICULATION DIMENSIONS

Dimensions are for top mount only. Side mount is .31" higher. Allow 3" bump clearance from full load.

CAUTION: Triple axle assemblies are NOT recommended for #12V Torflex® axles.

H = Height L = Length

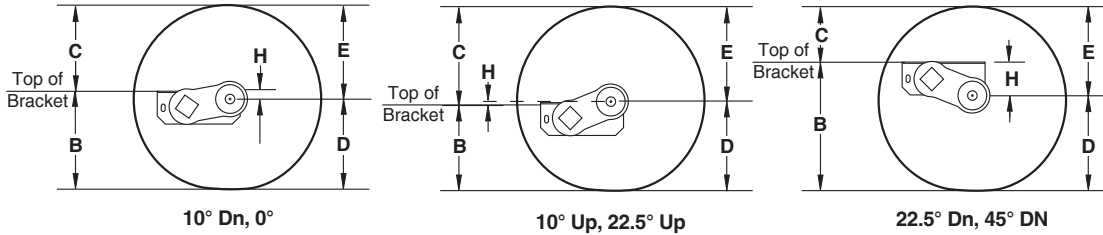
Note: Positive numbers in the H column indicate the spindle is BELOW the top of the bracket. Conversely, negative numbers are ABOVE the top of the bracket.

See page 7 for an overview of Torflex®



FULL LOAD DIMENSIONS

Dimensions are for low profile, top mount only. High profile brackets are .75" higher. Side mount is .31" higher. Allow 3" bump clearance from full load.



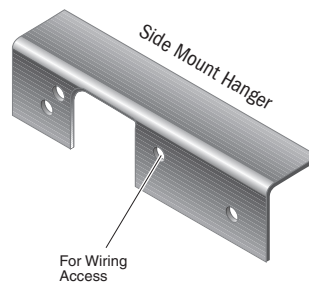
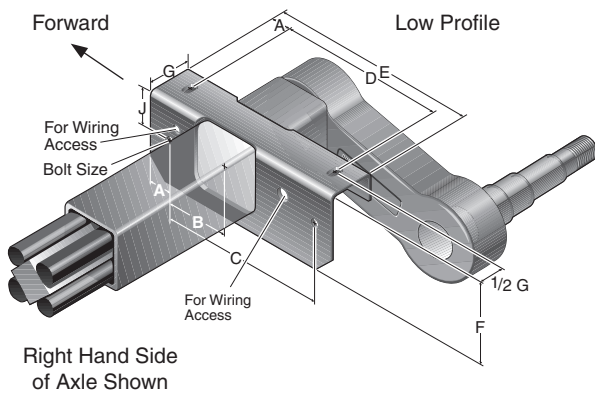
Start Angle

Tire	45° Down					32° Down					22.5° Down		
	D	E	H	B	C	D	E	H	B	C	H	B	C
LT235/85R16	14.3	15.4	4.3	18.6	11.1	14.3	15.4	3.0	17.3	12.4	2.0	16.3	13.4
7.50-16LT	14.9	16.7	4.3	19.2	12.4	14.9	16.7	3.0	17.9	13.7	2.0	16.9	14.7
9.50-16.5LT	14.1	15.2	4.3	18.4	10.9	14.1	15.2	3.0	17.1	12.2	2.0	16.1	13.2

Columns D and E are dimensional examples only:

- D – Static Loaded Radius
- E – Inflated Radius

Tire	10° Down			0°			10° Up			22.5° Up		
	H	B	C	H	B	C	H	B	C	H	B	C
LT235/85R16	0.7	15.0	14.7	-0.3	14.0	15.7	-1.2	13.1	16.6	-2.2	12.1	17.6
7.50-16LT	0.7	15.6	16.0	-0.3	14.6	17.0	-1.2	13.7	17.9	-2.2	12.7	18.9
9.50-16.5LT	0.7	14.8	14.5	-0.3	13.8	15.5	-1.2	12.9	16.4	-2.2	11.9	17.4



#12V Bracket Dimensions

	Low	High
A	1.25	1.25
B	3.50	3.50
C	9.50	9.50
D	9.00	9.00
E	12.00	12.00
F	4.37	5.12
G	2.50	2.50
J	2.06	2.06
N	----	1.03
P	----	1.00
Q	----	1.00
Bolt Size	5/8" bolt	
Tube Size	3.50	3.50

#12V Overhang Overall

Spindle	Min.	Max.
Standard	14.00"	29.54"

7200 LBS. CAPACITY

See page 7 for an overview of Torflex®

Leaf Spring Application Information



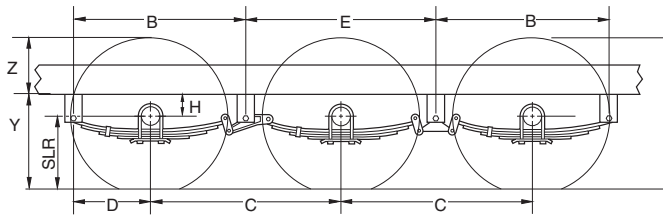
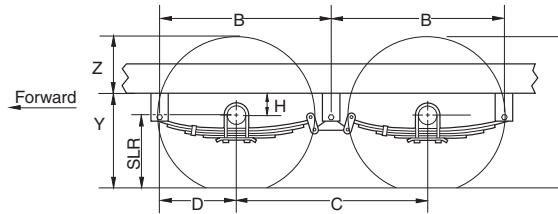
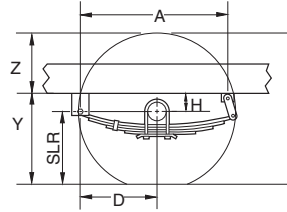
D72 LEAF SPRING

- Heavy wall 3" diameter tube

Please See page 8 for an overview of Leaf Spring Suspension

D72 Overhang Overall

	Min.	Max.
Straight	14.00"	18.00"
4" Drop	15.74"	18.00"
Nev-R-Lube®	14.00"	18.00"



Double Eye Springs

For Standard 33" Axle Spacing Single
A/P-122-00 Tandem A/P-233-00 Triple
A/P-335-00

	Spring Length		
	21"	24"	26"
A	19.62	23.50	25.75
B	25.00	27.50	29.50
C	28.75	31.00	33.00
D	10.62	12.00	13.00
E	28.75	31.00	33.00

For Optional 35" Axle Spacing Tandem A/P-
264-00 Triple A/P-364-00

	Spring Length		
	21"	24"	26"
B	26.00	28.50	30.50
C	30.80	33.00	35.00
D	10.62	12.00	13.00
E	30.80	33.00	35.00

7200 LBS. CAPACITY

Double Eye Axle Assemblies

Hanger Kits		Quantity Per Kit									
Part No.	Description	Height	HGR-271-00 (8,000 lbs. Max)	HGR-274-00 (8,000 lbs. Max)	A/P-122-00	A/P-233-00	A/P-247-00	A/P-264-00†	A/P-201-00	A/P-335-00	A/P-364-00†
028-010-01	Hanger	5.00"	----	6					14	----	----
028-070-00	Hanger	4.25"	6	----					----	22	22
Attaching Parts Kits											
006-007-01	Hex Locknut		----	----	----	----	----	----	14	----	----
006-092-01	Flange Locknut		6	14	14	14	----	----	----	22	22
007-003-01	Bolt Press-In		----	----	----	----	----	----	14	----	----
007-126-01	Shackle Bolt		2	6	6	6	----	----	----	10	10
013-010-00	Equalizer		----	----	2	----	----	----	----	----	----
013-104-02	Equalizer		----	2	----	----	----	----	----	2	----
013-105-02	Equalizer		----	----	----	----	----	----	----	2	----
013-122-02	Equalizer		----	----	----	2	----	----	----	----	2
013-126-02	Equalizer		----	----	----	----	----	----	----	----	2
013-010-00	Equalizer		----	----	----	----	----	2	----	----	----
018-011-05	Shackle Link		----	4	4	4	4	8	6	6	6
018-012-05	Shackle Link, Long		2	----	----	----	----	----	----	----	----
018-020-05	Shackle Link Assembly		----	4	4	4	4	----	6	6	6
018-021-05	Shackle Link Assembly, Long		2	----	----	----	----	----	----	----	----

†For 35" axle spacing using 26" springs Note: Common A/P kits are available in marine grade coating

Leaf Spring Application Information



Slipper Spring Axle Assemblies

Hanger Kits Part No.	Description	Height	Quantity Per Kit		
			HGR-138-00 (8,000 lbs. Max)	HGR-238-00 (8,000 lbs. Max)	HGR-338-00 (8,000 lbs. Max)
028-009-01	Front Hanger	5.00"	2	2	2
029-005-01	Center Hanger	4.50"	----	2	4
030-006-01	Rear Hanger	6.38"	2	2	2

Attaching Parts Kits Part No.	Description	Quantity Per Kit				
		A/P-103-00	A/P-202-00 [§]	A/P-216-00 [‡]	A/P-302-00 [§]	A/P-316-00 [‡]
006-007-01	5/16-18 Locknut	2	4	4	6	6
006-011-00	Keeper Nut	2	4	4	6	6
006-111-00	Equalizer Nut	----	2	2	4	4
007-001-01	Equalizer Bolt	----	2	2	4	4
007-007-00	Keeper Bolt	2	4	4	6	6
007-017-00	Spring Eye Bolt	2	4	4	6	6
013-004-00	Equalizer	----	2	----	4	----
013-044-01	Equalizer	----	----	2	----	4

§ For 33.5" axle spacing

‡ For 36" axle spacing

Slipper Springs

	Single	Tandem		Triple	
	A/P-103-00	A/P-202-00 [§]	A/P-216-00 [‡]	A/P-302-00 [§]	A/P-316-00 [‡]
A	24.0	----	----	----	----
B	----	28.8	30.4	28.8	30.4
C	----	33.5	36.0	33.5	36.0
D	11.5	11.5	11.5	11.5	11.5
E	----	----	----	33.0	35.0

Note: All 2" wide slipper springs

§ For 33.5" axle spacing

‡ For 36" axle spacing

A, B, E – Hanger Spacing
 C – Axle Spacing
 D – Axle Location
 H – Center of Spindle
 Y – Frame Height
 Z – Top of Tire to Bottom of Frame
 SLR – Static Load Radius

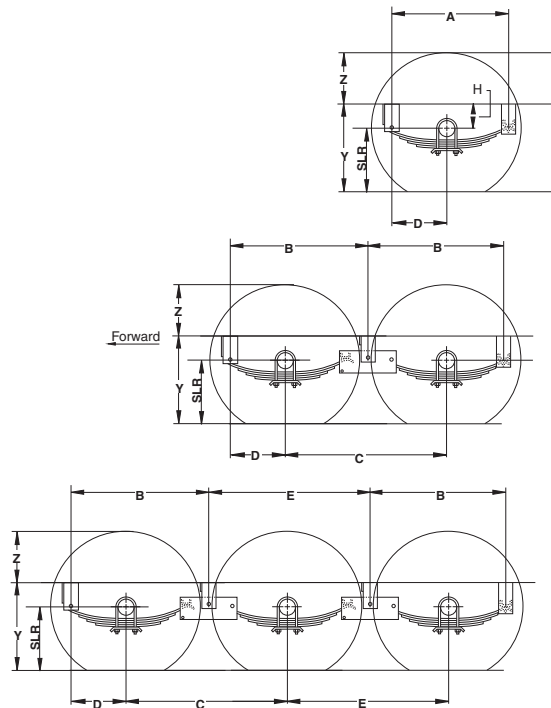
To determine these values, contact your account manager or distributor to run ProSpec™.

Some combinations of hangers and spring mountings may result in insufficient bump clearance. Please refer to ProSpec information or additional hanger and A/P kits at the end of the catalog.

D72 Overhang Overall

	Min.	Max.
Straight	14.00"	18.00"
4" Drop	15.74"	18.00"
Nev-R-Lube®	14.00"	18.00"

Single Axles
 require 1 HAP-105-00 kit
 Tandem Axles
 require 1 HAP-105-00 kit
 and 1 HAP-205-01 kit
 Triple Axles
 require 1 HAP-105-00 kit
 and 2 HAP-205-01 kits



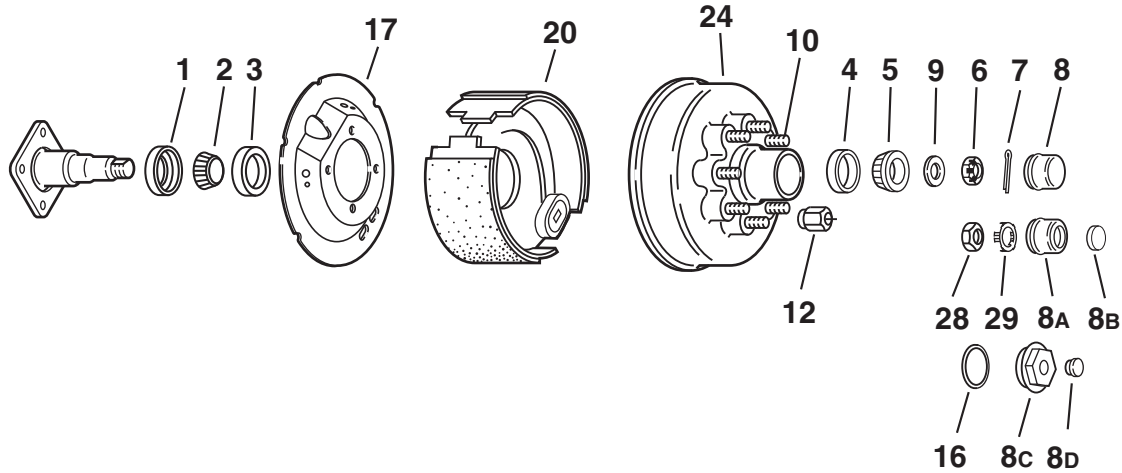
**7200 LBS.
CAPACITY**

Rubber Bushed Suspension

Part No.	Description	Height	HAP-105-00	HAP-205-01
028-068-02	Front Hanger	5.50"	2	----
029-039-04	Center Hanger	4.50"	----	2
030-068-02	Rear Hanger	4.85"	2	----
006-011-00	5/16-18 UNC Locknut	----	2	2
006-038-00	5/8-11 UNC Locknut	----	2	2
006-112-00	1-8 UNC Locknut	----	----	2
007-007-00	Keeper Bolt	----	2	2
007-181-00	Spring Eye Bolt	----	2	2
007-182-00	Equalizer Bolt	----	----	2
013-117-03	Equalizer	----	----	2
059-200-00	Decal	----	1	1
059-203-00	Instruction Sheet	----	1	1

**See page 8 for an overview
of Leaf Spring Suspension**

865 Hub Group



7200 LBS. CAPACITY

Grease Lube Parts

Item	Part No.	Description
1	010-036-00	Seal
2	031-030-02	25580 Inner Bearing Cone
3	031-030-01	25520 Inner Bearing Cup
4	031-028-01	02420 Outer Bearing Cup
5	031-028-02	02475 Outer Bearing Cone
6	006-176-00	Spindle Nut
7	019-002-00	Cotter Pin (not used with E-Z Lube®)
8	021-039-00	Grease Cap
8A	021-043-01	Grease Cap for E-Z Lube®
8B	085-001-00	E-Z Lube® Rubber Plug
9	005-057-00	Spindle Washer
28	006-191-00	Special Jam Nut for E-Z Lube® (after 2002)
29	006-190-00	Spindle Nut Retainer for E-Z Lube® (after 2002)

Oil Lube Parts

Item	Part No.	Description
1	010-063-00	Seal (Unitized)
2	031-030-02	25580 Inner Bearing cone
3	031-030-01	25520 Inner Bearing Cup
4	031-028-01	02420 Outer Bearing Cup
5	031-028-02	02475 Outer Bearing Cone
6	006-176-00	Spindle Nut
7	019-002-00	Cotter Pin
9	005-057-00	Spindle Washer
8C	021-035-00	Oil Cap
8D	046-032-00	Oil Cap Plug
ns	046-052-00	Oil Filler Plug (service part only)
16	010-045-00	'O' Ring for Oil Lube

Studs & Wheel Nuts

Item	Part No.	Description
10	007-122-00	1/2-20 Press-in Stud
10	007-224-00	5/8-18 Press-in Stud
10	007-223-00	1/16-18-18 Press-in Stud
12	006-053-00	5/16-18 60° Cone Nut
12	006-109-00	5/8-18 90° Cone Nut
ns	006-058-00	5/8-18 Flange Nut

Note: Spindle is not available for resale.

Hubs

(After May 2000 for cast backing plate brakes)

Item	Part No.	Description	Bolt Circle
24	008-393-10	Grease 1/2" Stud	8 on 6.50
24	008-393-04	Grease 5/16" Stud	8 on 6.50
24	008-393-06	Grease 5/8" Stud	8 on 6.50
24	008-393-09	Oil 1/2" Stud	8 on 6.50
24	008-393-03	Oil 5/16" Stud	8 on 6.50
24	008-393-05	Oil 5/8" Stud	8 on 6.50

Brakes

(After May 2000 with cast backing plate brakes)

Item	Part No.	Description
17	036-118-20	Dust Shield not included with brake assembly
20	K23-429-00	RH 12 1/4" x 2 1/2" Electric Brakes
20	K23-428-00	LH 12 1/4" x 2 1/2" Electric Brakes

Service Parts Not Interchangeable With Cast Parts

Hubs

(Before May 2000 for stamped backing plate brakes)

Item	Part No.	Description	Bolt Circle
24	008-355-13	Grease 5/16" Stud	8 on 6.50
24	008-355-15	Grease 5/8" Stud	8 on 6.50
24	008-355-12	Oil 5/16" Stud	8 on 6.50
24	008-355-14	Oil 5/8" Stud	8 on 6.50

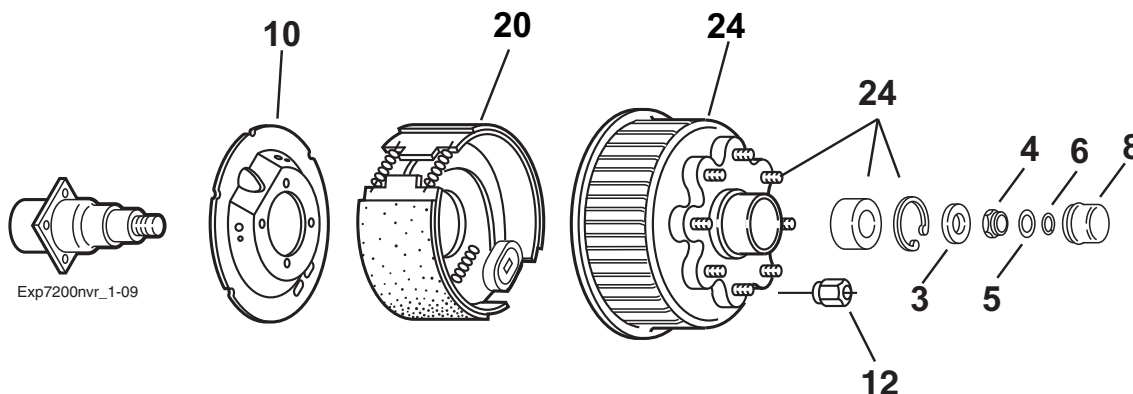
Brakes

(Before May 2000 with stamped backing plate brakes)

Item	Part No.	Description
17	036-110-00	Dust Shield (top) included with brake assembly
17	036-110-01	Dust Shield (bottom) included with brake assembly
20	023-369-00	RH 12 1/4" x 2 1/2" Electric Brakes
20	023-370-00	LH 12 1/4" x 2 1/2" Electric Brakes

ns - not shown

865 Nev-R-Lube® Hub Group



Nev-R-Lube® Parts 50MM

Item	Part No.	Description
3	005-149-00	Spindle Washer
4	006-183-00	Spindle Nut
5	092-002-00	Washer, Torque Label
6	069-096-00	Snap Ring
8	021-086-00	Grease Cap

12¼" x 2½" Brakes

Item	Part No.	Description
10	036-118-20	Dust Shield
20	K23-428-00/K23-429-00	LH/RH Manual Adjust Electric Brake

Note: Spindle is not available for resale.

Hubs With Bearing and Wheel Studs

Item	Part No.	Description	Bolt Circle
24	008-395-80	Hub and Drum includes: 007-223-00 ¼" Press-in Studs 031-071-03 50mm Bearing Cartridge 069-093-00 Bearing Retainer	8 on 6.50
ns	008-395-81	Hub and Drum includes: 007-224-00 ⅝" Press-in Studs 031-071-03 50mm Bearing Cartridge 069-093-00 Bearing Retainer	8 on 6.50

Wheel Nuts

Item	Part No.	Description
12	006-053-00	⅝-18 60° Cone Nut
ns	006-109-00	⅝-18 90° Cone Nut
ns	006-058-00	⅝-18 Flange Nut

ns - not shown

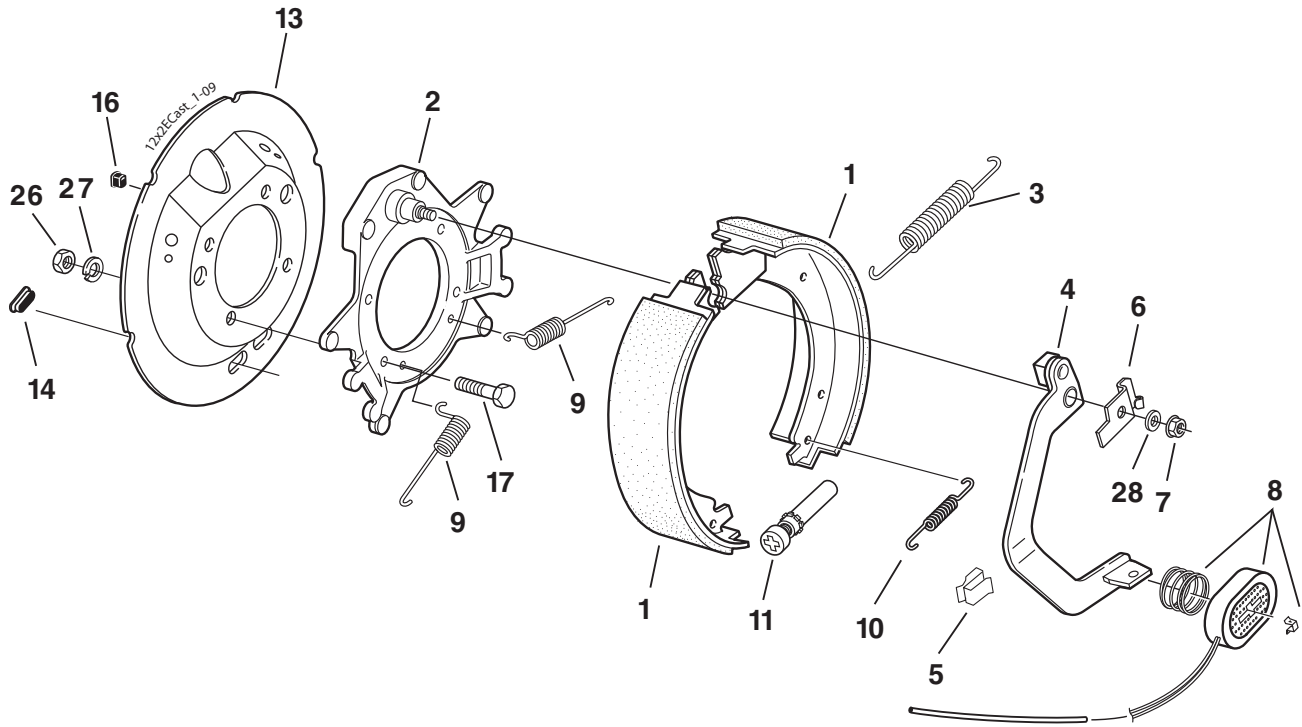
**7200 LBS.
CAPACITY**

**See page 6 for an overview of
Nev-R-Lube® bearings**

12-1/4" x 2-1/2" 7,200 lbs. Electric Brake – Cast Backing Plate



CSA approved at 7100 lbs. /14.2 SLR



7200 LBS. CAPACITY

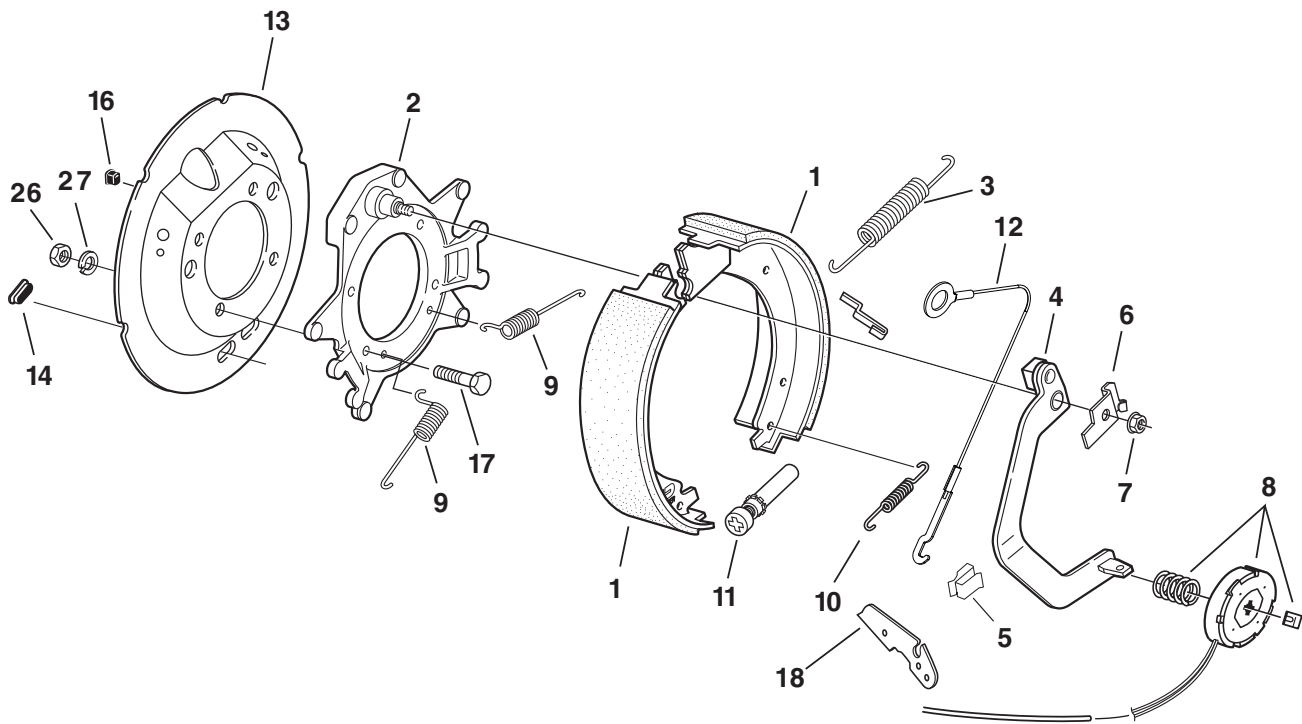
Electric Brake 7200 lbs.

Item	Part No.	Qty/Brk	Description
0	K23-428-00	1	LH Complete Brake Assembly (shown)
0	K23-429-00	1	RH Complete Brake Assembly
1	K71-497-00	1	LH Shoe & Lining Kit Contains: 1 040-348-01 LH Primary Shoe & Lining 1 040-349-02 LH Secondary Shoe & Lining
1	K71-496-00	1	RH Shoe & Lining Kit Contains: 1 040-349-01 RH Primary Shoe & Lining 1 040-348-02 RH Secondary Shoe & Lining
2	036-119-02	1	Backing Plate
3	046-119-00	1	Shoe Return (gray)
4	047-124-05	1	LH Actuating Lever Arm Assembly
4	047-125-05	1	RH Actuating Lever Arm Assembly
5	027-039-00	3	Wire Clip
6	071-455-01	1	LH Lever Arm Retainer
6	071-455-02	1	RH Lever Arm Retainer
7	006-092-01	1	Flange Nut
8	K71-378-00	1	Magnet Kit Contains: 1 042-131-00 Magnet (red/black wire after 6/17) 1 027-050-00 Magnet Retainer 1 046-117-00 Magnet Spring
9	046-136-00	2	Centering Spring
10	046-018-00	1	Adjuster Spring (red)
11	048-017-00	1	Adjuster Assembly
*13	036-118-20	1	Dust Shield (sold separately)
*14	046-007-00	2	Adjuster Slot Plug
*16	046-016-00	1	Magnet Wire Grommet
*17	007-251-00	4	Brake Mounting Bolt
*26	006-129-00	4	Hex Nut
*27	005-058-00	4	Lock Washer
28	005-142-00	1	Washer

* Not included with complete brake assembly. Item sold separately.

Brakes manufactured after May 2000 use the cast backing plate

12-1/4" x 2-1/2" 8,000 lbs. Electric Brake FSA



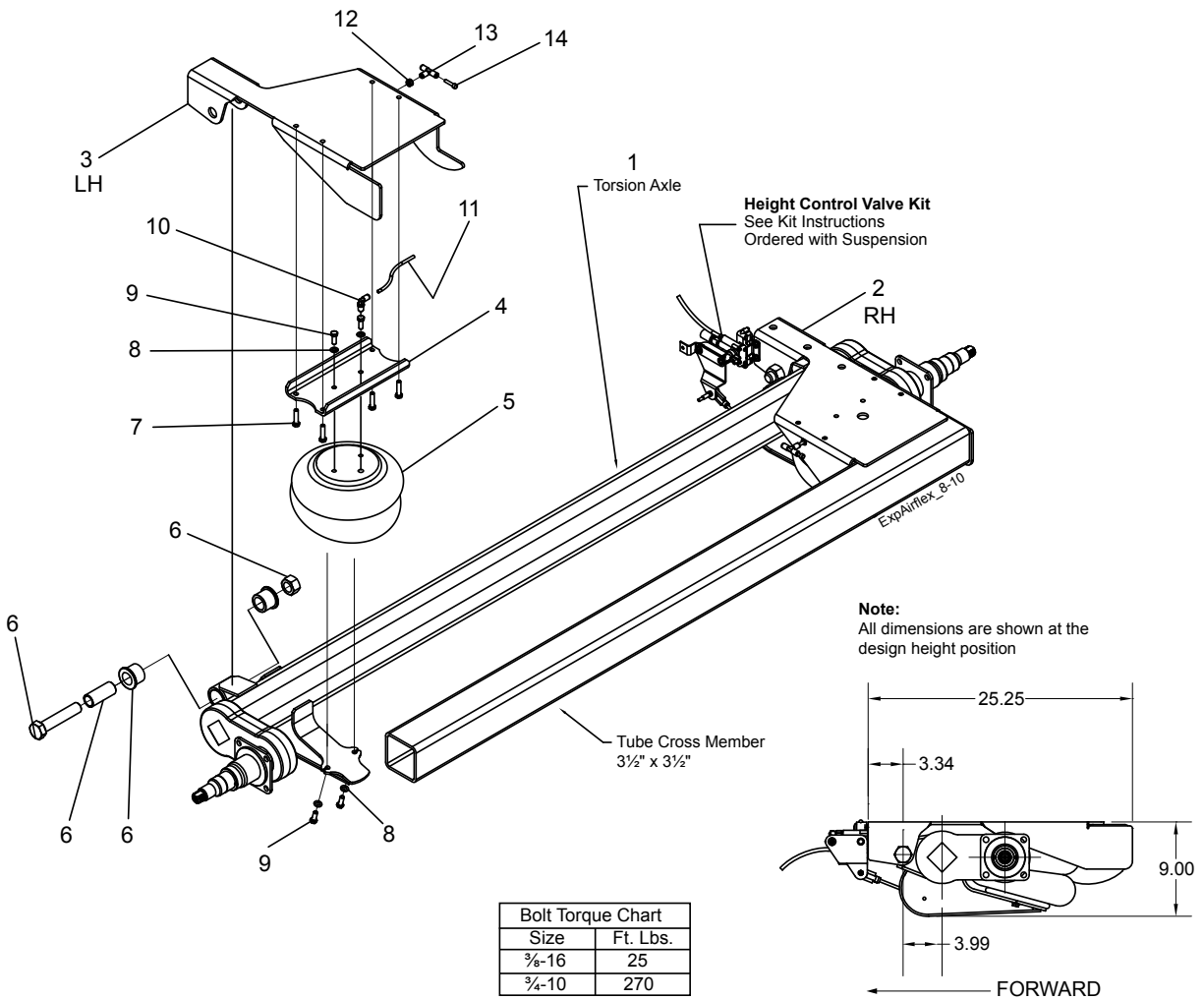
**7200 LBS.
CAPACITY**

Electric Brake 8000 lbs.

Item	Part No.	Qty/Brk	Description
0	K23-622-00	1	LH Complete Brake Assembly (shown)
0	K23-623-00	1	RH Complete Brake Assembly
1	K71-981-00	1	LH Shoe & Lining Kit Contains: 1 040-348-01 LH Primary Shoe & Lining 1 040-476-02 LH Secondary Shoe & Lining
1	K71-982-00	1	RH Shoe & Lining Kit Contains: 1 040-349-01 RH Primary Shoe & Lining 1 040-477-02 RH Secondary Shoe & Lining
2	036-119-02	1	Backing Plate
3	046-119-00	1	Shoe Return (gray)
4	047-240-40	1	LH Actuating Lever Arm Assembly
4	047-240-41	1	RH Actuating Lever Arm Assembly
5	027-039-00	3	Wire Clip
6	071-455-01	1	LH Lever Arm Retainer
6	071-455-02	1	RH Lever Arm Retainer
7	006-092-01	1	Flange Nut
8	K71-980-00	1	Magnet Kit Contains: 1 042-150-00 Magnet (red/white wire) 1 027-009-00 Magnet Retainer 1 046-175-00 Magnet Spring
9	046-136-00	2	Centering Spring
10	046-137-00	1	Adjuster Spring (yellow)
11	048-019-00	1	LH Adjuster Assembly (silver)
11	048-020-00	1	RH Adjuster Assembly (gold)
12	071-462-00	1	Cable
18	071-464-00	1	LH Adjuster Lever
18	071-463-00	1	RH Adjuster Lever
*13	036-118-20	1	Dust Shield (sold separately)
*14	046-007-00	2	Adjuster Slot Plug
*16	046-016-00	1	Magnet Wire Grommet
*17	007-251-00	4	Brake Mounting Bolt
*26	006-129-00	4	Hex Nut
*27	005-058-00	4	Lock Washer

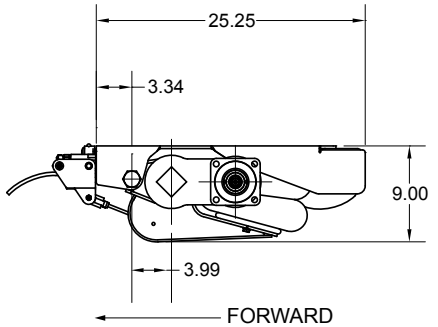
* Not included with complete brake assembly. Item sold separately.
Brake capacity does not change axle capacity rating.

Airflex® for 7,200 lbs. Axles – After May 2010



7200 LBS. CAPACITY

Size	Ft. Lbs.
3/8-16	25
3/4-10	270



AIRFLEX® Suspension Components 7200 lbs.			
Item	Part No.	Qty/Axle	Description
1	n/a	1	Torsion Axle with Suspension Brackets
2	003-327-00	1	RH Frame Bracket
3	003-326-00	1	LH Frame Bracket
4	003-323-00	2	Channel, Air Spring Support
5	W01-358-6947	2	Firestone Air Spring
6	K71-734-00	1	Airflex Pivot Bushing Replacement Kit Contains: 2 006-287-00 Nut, Hex Locking 2 007-466-00 Bolt, Hex 2 014-123-00 Pivot Bushing Assembly 2 014-127-00 Pivot Bushing Spacer
7	n/a	8	3/8-16 UNC x 1.5" LG HHCS
8	n/a	8	3/8 Regular Split Lock Washer
9	n/a	8	3/8-16 UNC x 1" LG HHCS
10	n/a	2	1/4 NPTM x 1/4 T 90° Elbow, Swivel
11	n/a	2	1/4 x 6.25" LG Nylon Tube
12	n/a	2	Grommet
13	n/a	2	1/4 T Union Tee
14	n/a	2	1/4 T Plug
Air Supply Kits			
ns	K71-692-01	-	Ride Height Control Kit
ns	K71-692-02	-	Air Supply and Control Kit
ns	K71-692-03	-	Air Control Kit Without Air Supply
ns	059-809-00	-	Installation Instructions (On Dexter website)

Please see page 9 for an overview of the Airflex® Suspension system.

n/a - not available
ns - not shown

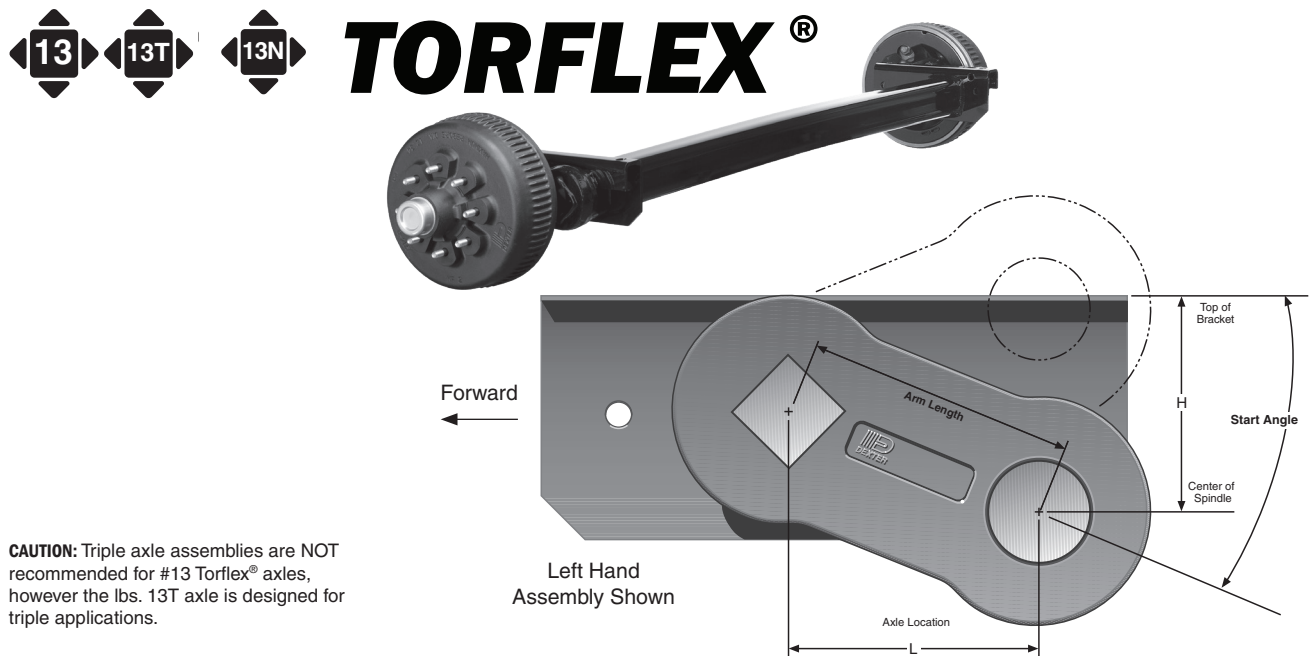
Application Information



8000 LBS. CAPACITY

- Digital service manual available at www.dexteraxle.com
- Precision machined steel spindles and integral cast iron hub/drums
- Standard oil bath lubrication; grease or Nev-R-Lube® option
- Press-in wheel studs, 9/16" or 5/8"
- Hydraulic brakes are available with and without parking feature
- Hydraulic brakes – uni-servo and duo-servo available
- Hydraulic disc brakes available
- 12 1/4" x 3 3/8" electric brakes CSA approved at 8,000 lbs.
- 12 1/4" x 3 3/8" self adjusting electric brakes
- 12 1/4" x 3 3/8" hydraulic brakes
- Inner wiring system for easier installation and protection of brake wiring
- Heavy wall 3 1/2" diameter tube
- Straight or Drop spindles (4" drop only)
- High quality alloy steel springs in a variety of capacities
- Single, tandem or triple axle assemblies with equalized suspensions

Torflex® Application Information



CAUTION: Triple axle assemblies are NOT recommended for #13 Torflex® axles, however the lbs. 13T axle is designed for triple applications.

Start Angle	Bracket Profile	No Load		Full Load		Shock Load	
		H	L	H	L	H	L
45° Down	Low	6.49	4.24	4.55	5.54	3.42	5.88
	High	7.18	4.24	5.24	5.54	4.11	5.88
32° Down	Low	5.43	5.09	3.24	5.92	2.07	6.00
	High	6.12	5.09	3.93	5.92	2.76	6.00
22.5° Down	Low	4.55	5.54	2.25	6.00	1.08	5.88
	High	5.24	5.54	2.94	6.00	1.77	5.88
10° Down	Low	3.29	5.91	0.95	5.86	-0.17	5.49
	High	3.98	5.91	1.64	5.86	0.52	5.49
0°	Low	2.25	6.00	-0.05	5.54	-1.08	4.99
	High	2.94	6.00	0.64	5.54	-0.39	4.99
10° Up	Low	1.21	5.91	-0.97	5.06	-1.90	4.33
	High	1.90	5.91	-0.28	5.06	-1.21	4.33
22.5° Up	Low	-0.05	5.54	-1.99	4.24	-2.74	3.33
	High	0.64	5.54	-1.30	4.24	-2.05	3.33



ARTICULATION DIMENSIONS

Dimensions are for top mount only. Side mount is .31" higher. Allow 3" bump clearance from full load.

Note: #13T is not available with low profile

H = Height L = Length

Note: Positive numbers in the H column indicate the spindle is BELOW the top of the bracket. Conversely, negative numbers are ABOVE the top of the bracket.

See page 7 for an overview of Torflex®

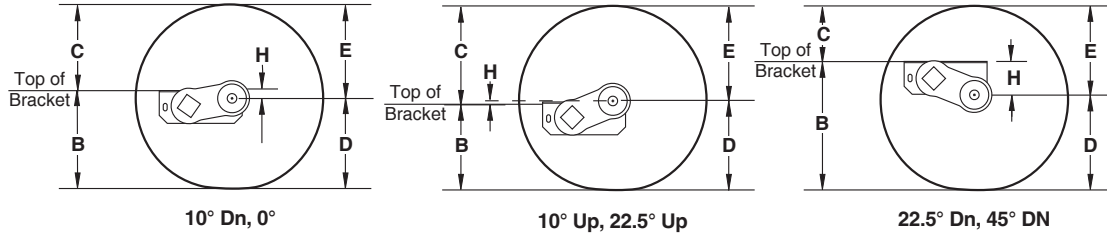
8000 LBS. CAPACITY

Torflex® Application Information



FULL LOAD DIMENSIONS

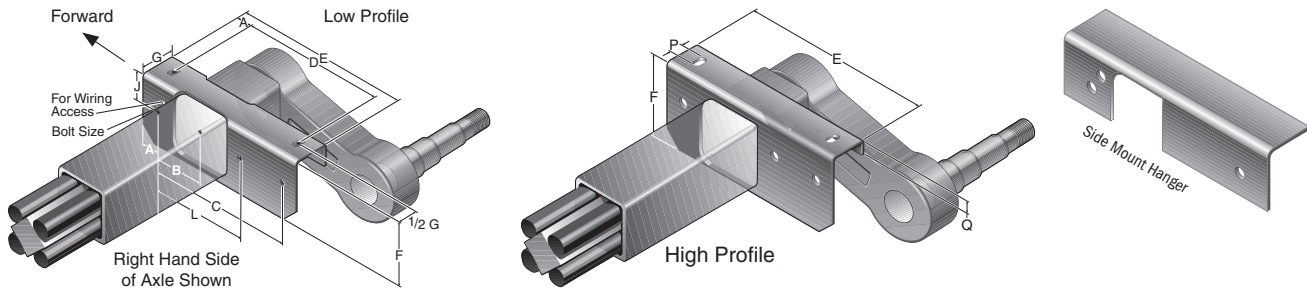
Dimensions are for low profile, top mount only. High profile brackets are .75" higher. Side mount is .31" higher. Allow 3" bump clearance from full load.



Start Angle

Tire	45° Down					32° Down					22.5° Down		
	D	E	H	B	C	D	E	H	B	C	H	B	C
10R17.5HC	15.6	18.0	4.6	20.2	13.4	15.6	18.0	3.2	18.8	14.8	2.3	17.9	15.7
215/75R17.5	14.0	15.3	4.6	18.6	10.7	14.0	15.3	3.2	17.2	12.1	2.3	16.3	13.0
12-16.5LT	14.9	15.8	4.6	19.5	11.2	14.9	15.8	3.2	18.1	12.6	2.3	17.2	13.5
9.50-16.5LT	14.1	15.2	4.6	18.7	10.6	14.1	15.2	3.2	17.3	12.0	2.3	16.4	12.9
9R17.5HC	15.4	17.1	4.6	20.0	12.5	15.4	17.1	3.2	18.6	13.9	2.3	17.7	14.8

Tire	10° Down			0°			10° Up			22.5° Up		
	H	B	C	H	B	C	H	B	C	H	B	C
10R17.5HC	1.0	16.6	17.0	-0.1	15.5	18.1	-1.0	14.6	19.0	-2.0	13.6	20.0
215/75R17.5	1.0	15.0	14.3	-0.1	13.9	15.4	-1.0	13.0	16.3	-2.0	12.0	17.3
12-16.5LT	1.0	15.9	14.8	-0.1	14.8	15.9	-1.0	13.9	16.8	-2.0	12.9	17.8
9.50-16.5LT	1.0	15.1	14.2	-0.1	14.0	15.3	-1.0	13.1	16.2	-2.0	12.1	17.2
9R17.5HC	1.0	16.4	16.1	-0.1	15.3	17.2	-1.0	14.4	18.1	-2.0	13.4	19.1



#13 Bracket Dimensions

	Low	High
A	1.22	1.22
B	3.63	3.63
C	10.56	10.56
D	10.56	10.56
E	13.00	13.00
F	4.81	5.50
G	2.50	2.50
J	2.25	2.25
L	7.26	7.26
P	----	1.00
Q	----	1.00
Bolt Size	5/8" bolt	
Tube Size	3.88	3.88

#13 Overhang Overall

Spindle	Min.	Max.
Short	17.00"	43.00"
Standard	18.00"	43.00"

#13T Overhang Overall

Spindle	Min.	No Bracket Zone	Max.
Short	17.12"	10.13" - 10.75"	23.50"
Standard	18.12"	10.63" - 11.25"	24.50"

#13N Overhang Overall

Spindle	Min.	Max.
Standard	14.15"	16.95"

See page 7 for an overview of Torflex®

8000 LBS.
CAPACITY

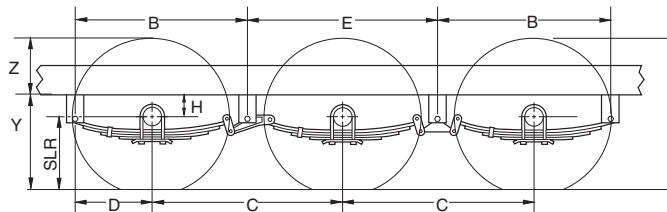
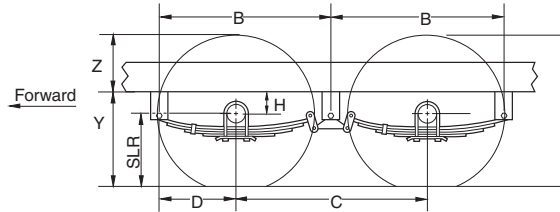
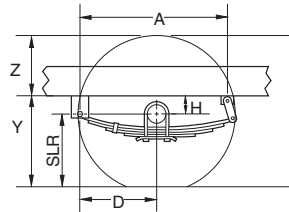
D80/D80N LEAF SPRING



Please See page 8 for an overview of Leaf Spring Suspension

D80 Overhang Overall		
	Min.	Max.
Straight	16.00"	19.00"
4" Drop	18.00"	19.00"
Nev-R-Lube®	16.00"	19.00"

D80N Overhang Overall		
	Min.	Max.
Straight	14.00"	15.95"



Double Eye Springs			
For Standard 33" Axle Spacing Single A/P-122-00 Tandem A/P-233-00 Triple A/P-335-00			
	Spring Length		
	21"	24"	26"
A	19.62	23.50	25.75
B	25.00	27.50	29.50
C	28.75	31.00	33.00
D	10.62	12.00	13.00
E	28.75	31.00	33.00

For Optional 35" Axle Spacing Tandem A/P-264-00 Triple A/P-364-00			
	Spring Length		
	21"	24"	26"
B	26.00	28.50	30.50
C	30.80	33.00	35.00
D	10.62	12.00	13.00
E	30.80	33.00	35.00

Double Eye Axle Assemblies

Hanger Kits		Quantity Per Kit							
Part No.	Description	Height	HGR-271-00 (8,000 lbs. Max)	HGR-274-00 (8,000 lbs. Max)	HGR-371-00 (8,000 lbs. Max)				
028-010-01	Hanger	5.00"	----	6	----				
028-070-00	Hanger	4.25"	6	----	8				
Attaching Parts Kits									
Part No.	Description	A/P-122-00	A/P-233-00	A/P-247-00	A/P-264-00†	A/P-201-00	A/P-335-00	A/P-364-00†	
006-007-01	Hex Locknut	----	----	----	----	14	----	----	
006-092-01	Flange Locknut	6	14	14	14	----	22	22	
007-003-01	Bolt Press-In	----	----	----	----	14	----	----	
007-126-01	Shackle Bolt	2	6	6	6	----	10	10	
013-010-00	Equalizer	----	----	2	----	----	----	----	
013-104-02	Equalizer	----	2	----	----	----	2	----	
013-105-02	Equalizer	----	----	----	----	----	2	----	
013-122-02	Equalizer	----	----	----	2	----	----	2	
013-126-02	Equalizer	----	----	----	----	----	----	2	
013-010-00	Equalizer	----	----	----	----	2	----	----	
018-011-05	Shackle Link	----	4	4	4	8	6	6	
018-012-05	Shackle Link, Long	2	----	----	----	----	----	----	
018-020-05	Shackle Link Assembly	----	4	4	4	----	6	6	
018-021-05	Shackle Link Assembly, Long	2	----	----	----	----	----	----	

†For 35" axle spacing using 26" springs Note: Common A/P kits are available in marine grade coating

**8000 LBS.
CAPACITY**

Leaf Spring Application Information



Slipper Spring Axle Assemblies

Hanger Kits Part No.	Description	Height	Quantity Per Kit		
			HGR-138-00 (8,000 lbs. Max)	HGR-238-00 (9,000 lbs. Max)	HGR-338-00 (8,000 lbs. Max)
028-009-01	Front Hanger	5.00"	2	2	2
029-005-01	Center Hanger	4.50"	----	2	4
030-006-01	Rear Hanger	6.38"	2	2	2

Attaching Parts Kits Part No.	Description	Quantity Per Kit				
		A/P-103-00	A/P-202-00 [‡]	A/P-216-00 [‡]	A/P-302-00 [‡]	A/P-316-00 [‡]
006-007-01	5/16-18 Locknut	2	4	4	6	6
006-011-00	Keeper Nut	2	4	4	6	6
006-111-00	Equalizer Nut	----	2	2	4	4
007-001-01	Equalizer Bolt	----	2	2	4	4
007-007-00	Keeper Bolt	2	4	4	6	6
007-017-00	Spring Eye Bolt	2	4	4	6	6
013-004-00	Equalizer	----	2	----	4	----
013-044-01	Equalizer	----	----	2	----	4

§ For 33.5" axle spacing

‡ For 36" axle spacing

Slipper Springs

	Single	Tandem		Triple	
	A/P-103-00	A/P-202-00 [‡]	A/P-216-00 [‡]	A/P-302-00 [‡]	A/P-316-00 [‡]
A	24.0	----	----	----	----
B	----	28.8	30.4	28.8	30.4
C	----	33.5	36.0	33.5	36.0
D	11.5	11.5	11.5	11.5	11.5
E	----	----	----	33.0	35.0

Note: All 2" wide slipper springs

§ For 33.5" axle spacing

‡ For 36" axle spacing

A, B, E – Hanger Spacing
 C – Axle Spacing
 D – Axle Location
 H – Center of Spindle
 Y – Frame Height
 Z – Top of Tire to Bottom of Frame
 SLR – Static Load Radius

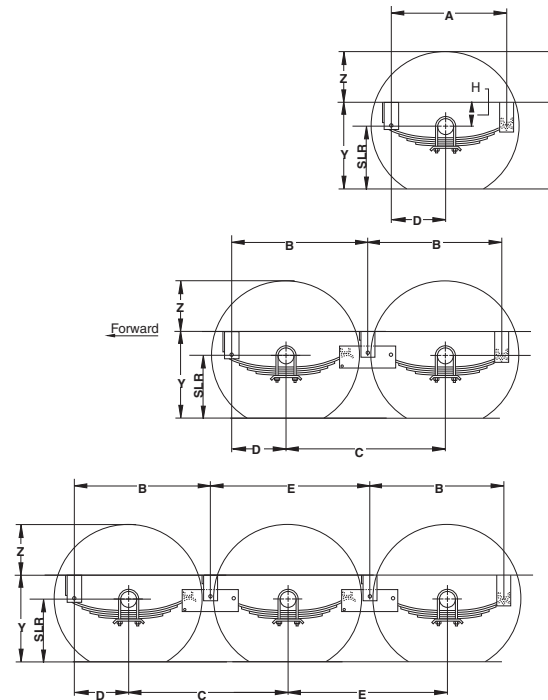
To determine these values, contact your account manager or distributor to run ProSpec™.

Some combinations of hangers and spring mountings may result in insufficient bump clearance. Please refer to ProSpec information or additional hanger and A/P kits at the end of the catalog.

D80 Overhang Overall

	Min.	Max.
Straight	16.00"	19.00"
4" Drop	18.00"	19.00"
Nev-R-Lube®	16.00"	19.00"

Single Axles
 require 1 HAP-105-00 kit
 Tandem Axles
 require 1 HAP-105-00 kit
 and 1 HAP-205-01 kit
 Triple Axles
 require 1 HAP-105-00 kit
 and 2 HAP-205-01 kits



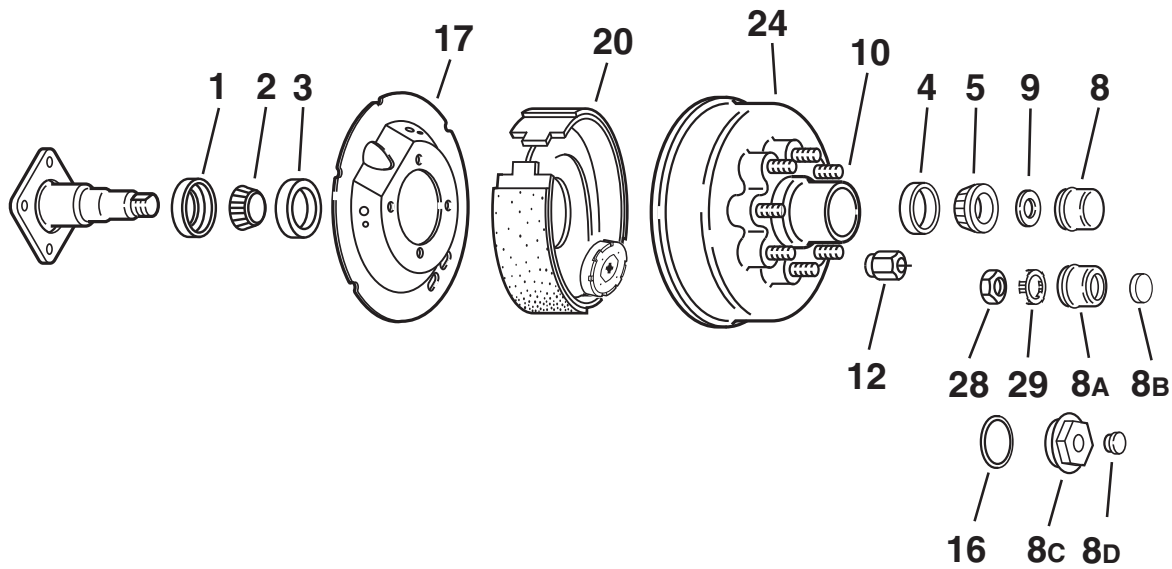
8000 LBS. CAPACITY

Rubber Bushed Suspension

Part No.	Description	Height	HAP-105-00	HAP-205-01
028-068-02	Front Hanger	5.50"	2	----
029-039-04	Center Hanger	4.50"	----	2
030-068-02	Rear Hanger	4.85"	2	----
006-011-00	5/16-18 UNC Locknut	----	2	2
006-038-00	5/8-11 UNC Locknut	----	2	2
006-112-00	1-8 UNC Locknut	----	----	2
007-007-00	Keeper Bolt	----	2	2
007-181-00	Spring Eye Bolt	----	2	2
007-182-00	Equalizer Bolt	----	----	2
013-117-03	Equalizer	----	----	2
059-200-00	Decal	----	1	1
059-203-00	Instruction Sheet	----	1	1

See page 8 for an overview of Leaf Spring Suspension

865 Hub Group - For D80N/ #13N Axles



Grease Lube Parts

Item	Part No.	Description
1	010-036-00	Seal
2	031-030-02	25580 Inner Bearing Cone
3	031-030-01	25520 Inner Bearing Cup
4	031-028-01	02420 Outer Bearing Cup
5	031-028-02	02475 Outer Bearing Cone
8	021-039-00	Grease Cap
8A	021-043-01	Grease Cap for E-Z Lube®
8B	085-001-00	E-Z Lube® Rubber Plug
9	005-057-00	Spindle Washer
28	006-191-00	Special Jam Nut for E-Z Lube®
29	006-190-00	Spindle Nut Retainer for E-Z Lube®

Oil Lube Parts

Item	Part No.	Description
1	010-063-00	Seal (Unitized)
2	031-030-02	25580 Inner Bearing cone
3	031-030-01	25520 Inner Bearing Cup
4	031-028-01	02420 Outer Bearing Cup
5	031-028-02	02475 Outer Bearing Cone
9	005-057-00	Spindle Washer
8C	021-035-00	Oil Cap
8D	046-032-00	Oil Cap Plug
ns	046-052-00	Oil Filler Plug (service part only)
16	010-045-00	'O' Ring for Oil Lube

Studs & Wheel Nuts

Item	Part No.	Description
10	007-224-00	5/16-18 Press-in Stud
10	007-223-00	5/16-18 Press-in Stud
12	006-053-00	5/16-18 60° Cone Nut
12	006-109-00	5/16-18 90° Cone Nut
ns	006-058-00	5/16-18 Flange Nut

Note: Spindle is not available for resale.

Hubs

Item	Part No.	Description	Bolt Circle
24	008-393-04	Grease 5/16" Stud	8 on 6.50
24	008-393-06	Grease 5/8" Stud	8 on 6.50
24	008-393-03	Oil 5/16" Stud	8 on 6.50
24	008-393-05	Oil 5/8" Stud	8 on 6.50

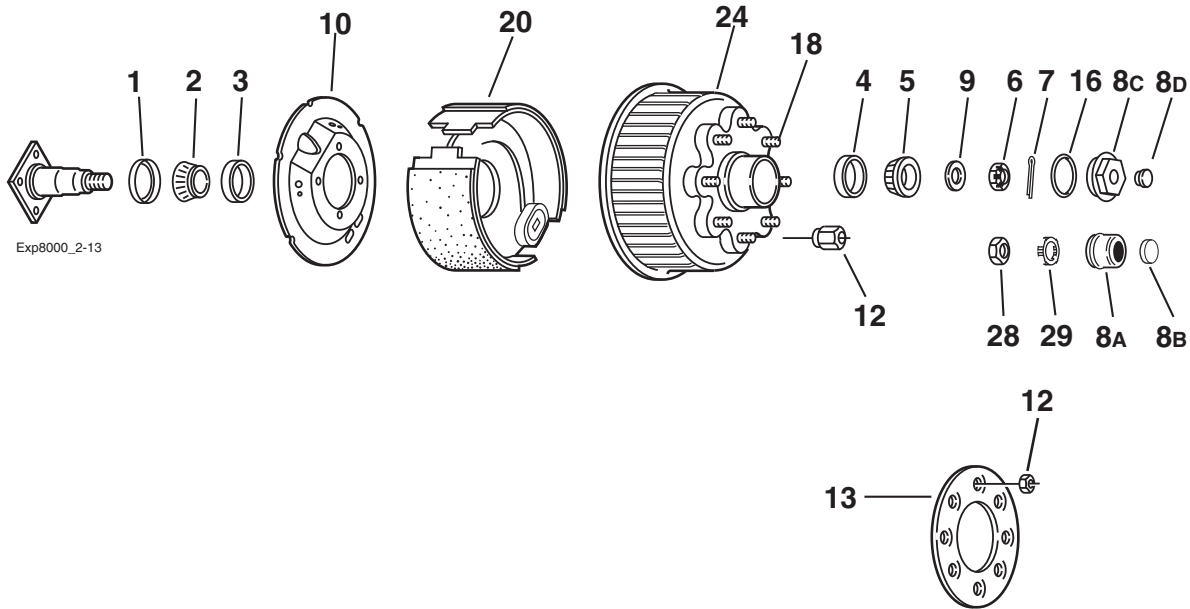
Brakes

Item	Part No.	Description
17	036-118-20	Dust Shield not included with brake assembly
20	K23-622-00	RH 12 1/4" x 2 1/2" Electric Brakes
20	K23-623-00	LH 12 1/4" x 2 1/2" Electric Brakes

Note: 12-1/4" x 2-1/2" Brake Size

**8000 LBS.
CAPACITY**

865 Hub Group



Grease Lube Parts

Item	Part No.	Description
1	010-036-00	Seal
2	031-030-02	25580 Inner Bearing Cone
3	031-030-01	25520 Inner Bearing Cup
4	031-028-01	02420 Outer Bearing Cup
5	031-028-02	02475 Outer Bearing Cone
6	006-176-00	Spindle Nut
7	019-002-00	Cotter Pin (not used with E-Z Lube®)
ns	021-039-00	Grease Cap
8A	021-043-01	Grease Cap for E-Z Lube®
8B	085-001-00	E-Z Lube® Rubber Plug
9	005-057-00	Spindle Washer
28	006-191-00	Special Jam Nut for E-Z Lube® (after 2002)
29	006-190-00	Spindle Nut Retainer for E-Z Lube® (after 2002)

Oil Lube Parts

Item	Part No.	Description
1	010-063-00	Seal (Unitized)
2	031-030-02	25580 Inner Bearing Cone
3	031-030-01	25520 Inner Bearing Cup
4	031-028-01	02420 Outer Bearing Cup
5	031-028-02	02475 Outer Bearing Cone
6	006-176-00	Spindle Nut
7	019-002-00	Cotter Pin
8C	021-035-00	Oil Cap
8D	046-032-00	Oil Cap Plug
9	005-057-00	Spindle Washer
ns	046-052-00	Oil Filler Plug (service part only)
16	010-045-00	'O' Ring for Oil Lube

ABS Components

Part No.	Description
097-004-00	Sensor, Straight
024-204-00	Sensor Block, Screw-In
097-002-00	Sensor Retainer Clip
024-205-01	Sensor Tone Ring

Note: Spindle is not available for resale.

Note: 12-1/4" x 3-3/8" Brake Size

12-1/4" x 3-3/8" Brakes

Item	Part No.	Description
10	036-115-20	Dust Shield
10	036-115-24	Dust Shield for brakes with park
20	K23-434-00/K23-435-00	LH/RH Electric Self-Adjust
ns	K23-432-00/K23-433-00	LH/RH Electric Manual Adjust
ns	K23-402-00/K23-403-00	LH/RH Hydraulic Self-Adjust Duo-Servo
ns	K23-171-00/K23-172-00	LH/RH Hyd. Self-Adj Duo-Servo w/Park
ns	K23-418-00/K23-419-00	LH/RH Hydraulic Uni-Servo
ns	K23-252-00/K23-253-00	LH/RH Hydraulic Uni-Servo w/Park
ns	K23-420-00/K23-421-00	LH/RH Self Adj. DS Corrosion Resistant
ns	K23-388-00/K23-387-00	LH/RH Hyd. Manual Adjust Duo-Servo

Hubs

Item	Part No.	Description	Bolt Circle
Hubs and Drums			
24	008-285-08	Grease 5/8" Stud	8 on 6.50
24	008-285-15	Grease 5/8" Stud ABS	8 on 6.50
24	008-285-11	Grease 5/16" Stud	8 on 6.50
24	008-285-13	Grease 5/16" Stud ABS	8 on 6.50
24	008-285-10	Oil 5/8" Stud	8 on 6.50
24	008-285-14	Oil 5/8" Stud ABS	8 on 6.50
24	008-285-09	Oil 5/16" Stud	8 on 6.50
24	008-285-12	Oil 5/16" Stud ABS	8 on 6.50
Plain Hubs			
ns	008-287-07	Grease 5/8" Stud	8 on 6.50
ns	008-287-11	Grease 5/16" Stud	8 on 6.50
ns	008-287-14	Oil 5/16" Stud	8 on 6.50
ns	008-287-17	Oil 5/8" Stud	8 on 6.50

Studs & Wheel Nuts

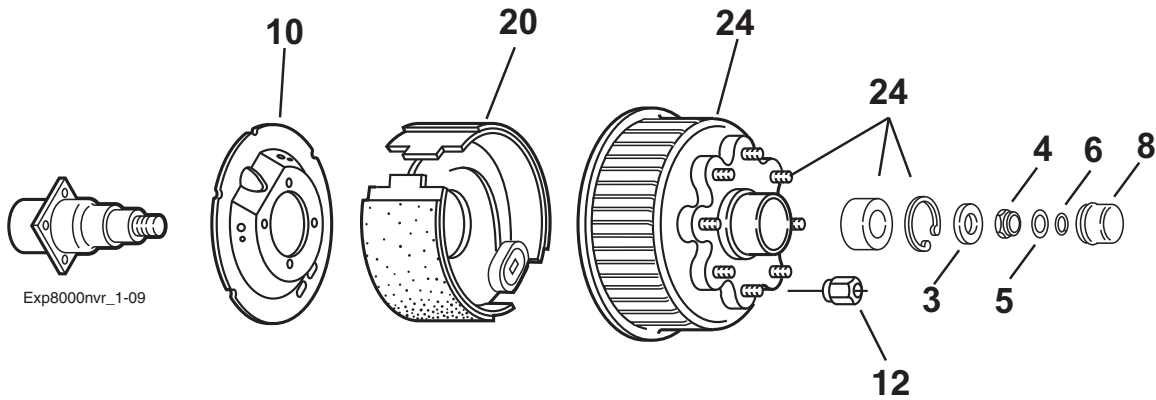
Item	Part No.	Description	Nut Torque
12	006-053-00	5/16-18 60° Cone Nut	
*12	006-109-00	5/16-18 90° Cone Nut	200 lbs.-ft
*13	033-052-01	Clamp Ring	
18	007-132-00	5/16-18 Press-in Stud	
18	007-232-00	5/8-18 Press-in Stud	
ns	006-058-00	5/8-18 Flange Nut	

ns - not shown

* Must use the 90° cone nut with the clamp ring. Alternate fastener is just the flange nut.

8000 LBS. CAPACITY

865 Nev-R-Lube® Hub Group



Nev-R-Lube® Parts 50MM

Item	Part No.	Description
3	005-149-00	Spindle Washer
4	006-183-00	Spindle Nut
5	092-002-00	Washer, Torque Label
6	069-096-00	Snap Ring
8	021-086-00	Grease Cap

12-1/4" x 3-3/8" Brakes

Item	Part No.	Description
10	036-115-20	Dust Shield
10	036-115-24	Dust Shield for brakes with park
20	K23-434-00/K23-435-00	LH/RH Electric Self-Adjust
ns	K23-402-00/K23-403-00	LH/RH Hydraulic Self-Adjust Duo-Servo
ns	K23-171-00/K23-172-00	LH/RH Hyd. Self-Adj Duo-Servo w/Park
ns	K23-418-00/K23-419-00	LH/RH Hydraulic Uni-Servo
ns	K23-252-00/K23-253-00	LH/RH Hydraulic Uni-Servo w/Park

ABS Hubs Without Bearing

Item	Part No.	Description	Bolt Circle
24	008-389-09	Grease 5/8" Stud ABS	8 on 6.50
24	008-389-12	Grease 9/16" Stud ABS	8 on 6.50

Note: Spindle is not available for resale.

Hubs with Bearing and Wheel Studs

Item	Part No.	Description	Bolt Circle
24	008-389-81	Hub and Drum includes: 007-223-00 9/16" Press-in Studs 031-071-03 50mm Bearing Cartridge 069-093-00 Bearing Retainer	8 on 6.50
ns	008-389-80	Hub and Drum includes: 007-224-00 5/8" Press-in Studs 031-071-03 50mm Bearing Cartridge 069-093-00 Bearing Retainer	8 on 6.50

Wheel Nuts

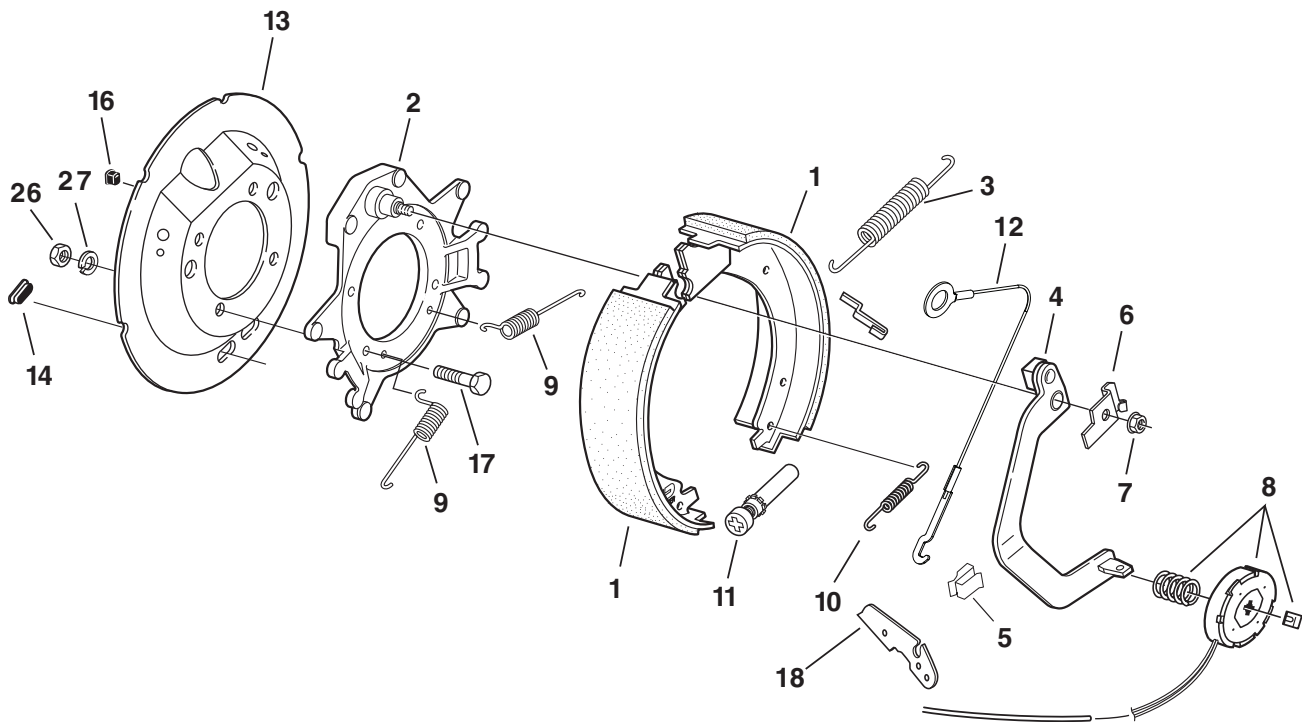
Item	Part No.	Description
12	006-053-00	9/16-18 60° Cone Nut
ns	006-109-00	5/8-18 90° Cone Nut

ABS Components

Part No.	Description
097-004-00	Sensor, Straight
024-204-00	Sensor Block, Screw-In
097-002-00	Sensor Retainer Clip
ns - not shown	

**8000 LBS.
CAPACITY**

12-1/4" x 2-1/2" 8,000 lbs. Electric Brake FSA



Electric Brake 8000 lbs.

Item	Part No.	Qty/Brk	Description
0	K23-622-00	1	LH Complete Brake Assembly (shown)
0	K23-623-00	1	RH Complete Brake Assembly
1	K71-981-00	1	LH Shoe & Lining Kit Contains: 1 040-348-01 LH Primary Shoe & Lining 1 040-476-02 LH Secondary Shoe & Lining
1	K71-982-00	1	RH Shoe & Lining Kit Contains: 1 040-349-01 RH Primary Shoe & Lining 1 040-477-02 RH Secondary Shoe & Lining
2	036-119-02	1	Backing Plate
3	046-119-00	1	Shoe Return (gray)
4	047-240-40	1	LH Actuating Lever Arm Assembly
4	047-240-41	1	RH Actuating Lever Arm Assembly
5	027-039-00	3	Wire Clip
6	071-455-01	1	LH Lever Arm Retainer
6	071-455-02	1	RH Lever Arm Retainer
7	006-092-01	1	Flange Nut
8	K71-980-00	1	Magnet Kit Contains: 1 042-150-00 Magnet (red/white wire) 1 027-009-00 Magnet Retainer 1 046-175-00 Magnet Spring
9	046-136-00	2	Centering Spring
10	046-137-00	1	Adjuster Spring (yellow)
11	048-019-00	1	LH Adjuster Assembly (silver)
11	048-020-00	1	RH Adjuster Assembly (gold)
12	071-462-00	1	Cable
18	071-464-00	1	LH Adjuster Lever
18	071-463-00	1	RH Adjuster Lever
*13	036-118-20	1	Dust Shield (sold separately)
*14	046-007-00	2	Adjuster Slot Plug
*16	046-016-00	1	Magnet Wire Grommet
*17	007-251-00	4	Brake Mounting Bolt
*26	006-129-00	4	Hex Nut
*27	005-058-00	4	Lock Washer

* Not included with complete brake assembly. Item sold separately.

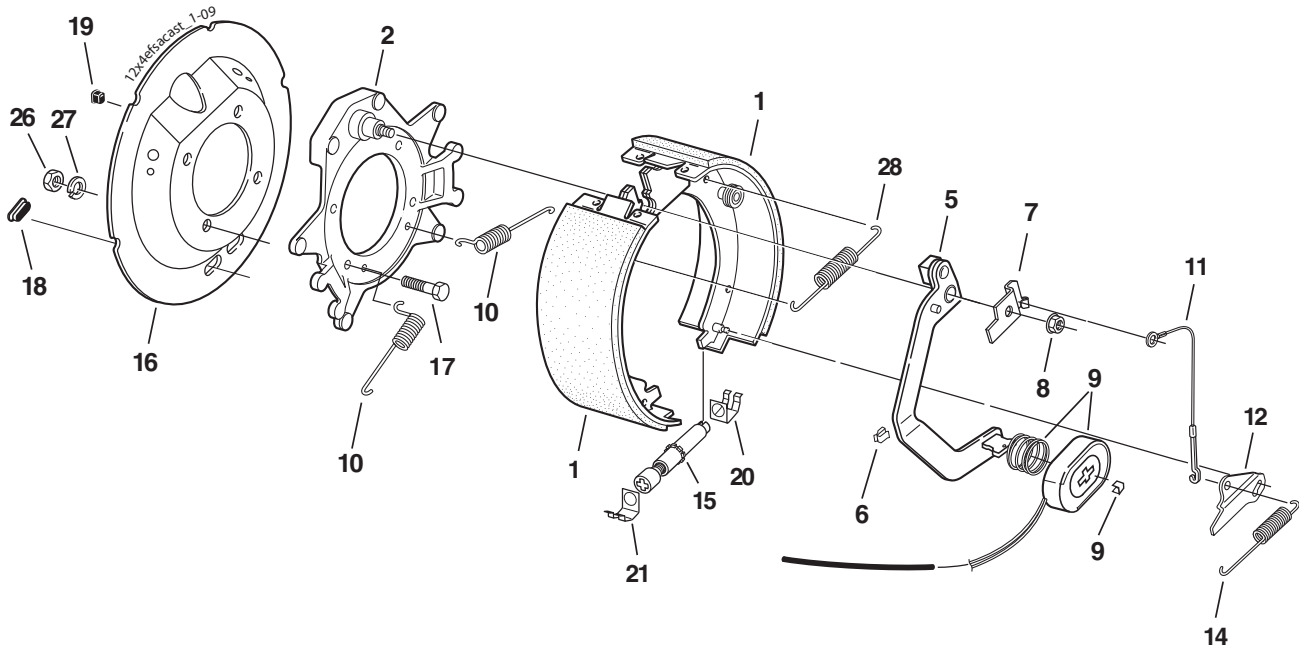
**8000 LBS.
CAPACITY**

12-1/4" x 3-3/8" 8,000 lbs. Electric Brake FSA



Cast Backing Plate

CSA approved at 8000 lbs. / 14.2 SLR



Electric Brake

Item	Part No.	Qty/Brk	Description
0	K23-434-00	1	LH Complete Brake Assembly (shown)
0	K23-435-00	1	RH Complete Brake Assembly
1	K71-499-00	1	LH Shoe & Lining Kit Contains: 1 040-350-01 LH Primary Shoe & Lining 1 040-351-02 LH Secondary Shoe & Lining
1	K71-498-00	1	RH Shoe & Lining Kit Contains: 1 040-351-01 RH Primary Shoe & Lining 1 040-350-02 RH Secondary Shoe & Lining
2	036-119-02	1	Backing Plate Assembly
5	047-123-38	1	LH Actuating Arm Assembly
5	047-123-37	1	RH Actuating Arm Assembly
6	027-039-00	3	Wire Clip
7	071-455-01	1	LH Arm/Shoe Retainer
7	071-455-02	1	RH Arm/Shoe Retainer
8	006-092-01	1	Flange Nut
9	K71-378-00	1	Magnet Kit Contains: 1 042-131-00 Magnet (red/black wire after 6/17) 1 027-050-00 Magnet Retainer Clip 1 046-117-00 Magnet Spring
10	046-136-00	2	Centering Spring
11	071-462-00	1	Adjuster Cable
12	071-464-00	1	LH Adjuster Lever
12	071-463-00	1	RH Adjuster Lever
14	046-137-00	1	Adjuster Spring
15	048-019-00	1	LH Adjuster Assembly (silver)
15	048-020-00	1	RH Adjuster Assembly (gold)
*16	036-115-20	1	Dust Shield
*17	007-097-00	4	Brake Mounting Bolt
*18	046-007-00	2	Adjuster Slot Plug
*19	046-016-00	1	Wire Grommet
20	046-133-00	1	Adjuster Clip (barrel end)
21	046-132-00	1	Adjuster Clip (thread end)
*26	006-129-00	4	Brake Mounting Nut
*27	005-058-00	4	Lock Washer
28	046-119-00	1	Return Spring

* Not included with complete brake assembly. Item sold separately.

Brakes manufactured after April 2000 use a cast backing plate.

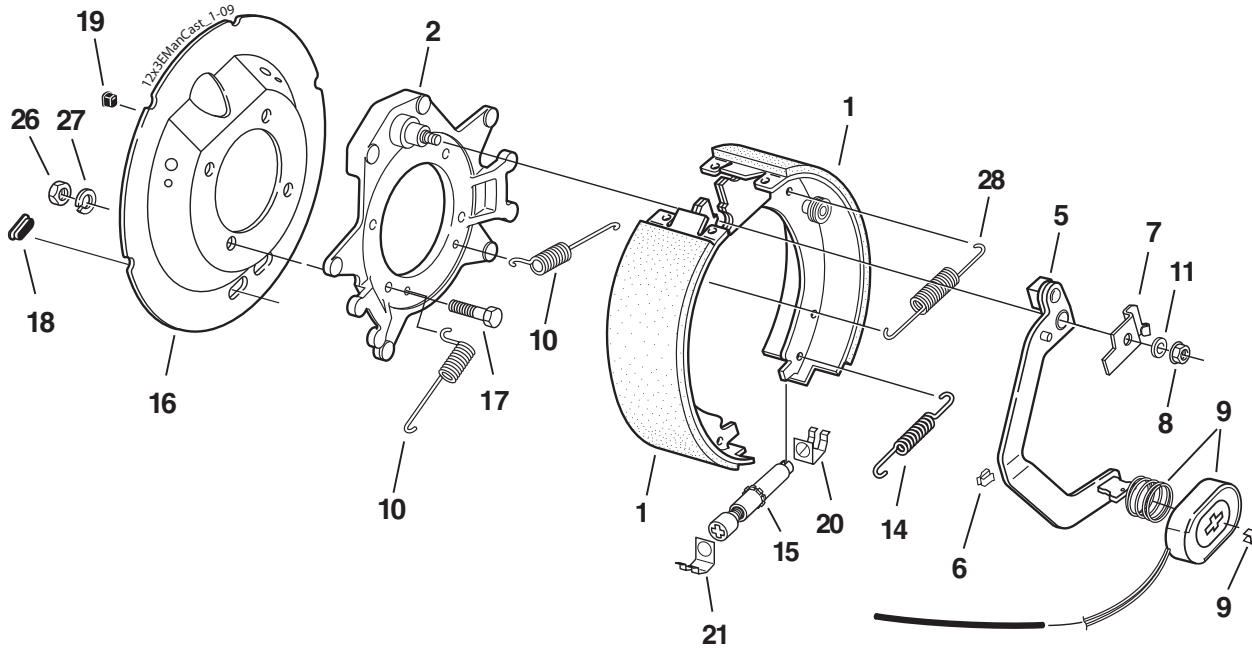
8000 LBS. CAPACITY

12-1/4" x 3-3/8" 8,000 lbs. Electric Brake Manual Adjust



Cast Backing Plate

CSA approved at 8000 lbs. /14.2 SLR



Electric Brake 8,000 lbs.

Item	Part No.	Qty/Brk	Description
0	K23-432-00	1	LH Complete Brake Assembly (shown)
0	K23-433-00	1	RH Complete Brake Assembly
1	K71-499-00	1	LH Shoe & Lining Kit Contains: 1 040-350-01 LH Primary Shoe & Lining 1 040-351-02 LH Secondary Shoe & Lining
1	K71-498-00	1	RH Shoe & Lining Kit Contains: 1 040-351-01 RH Primary Shoe & Lining 1 040-350-02 RH Secondary Shoe & Lining
2	036-119-02	1	Backing Plate Assembly
5	047-123-18	1	LH Actuating Arm Assembly
5	047-123-17	1	RH Actuating Arm Assembly
6	027-039-00	3	Wire Clip
7	071-455-01	1	LH Arm/Shoe Retainer
7	071-455-02	1	RH Arm/Shoe Retainer
8	006-092-01	1	Flange Nut
9	K71-378-00	1	Magnet Kit Contains: 1 042-131-00 Magnet (red/black wire after 6/17) 1 027-050-00 Magnet Retainer Clip 1 046-117-00 Magnet Spring
10	046-136-00	2	Centering Spring
11	005-142-00	1	Washer
14	046-018-00	1	Adjuster Spring
15	048-017-00	1	Adjuster Assembly
*16	036-115-20	1	Dust Shield
*17	007-097-00	4	Brake Mounting Bolt
*18	046-007-00	2	Adjuster Slot Plug
*19	046-016-00	1	Wire Grommet
20	046-132-00	1	Adjuster Clip (thread end)
21	046-133-00	1	Adjuster Clip (barrel end)
*26	006-129-00	4	Brake Mounting Nut
*27	005-058-00	4	Lock Washer
28	046-119-00	1	Return Spring

* Not included with complete brake assembly. Item sold separately.

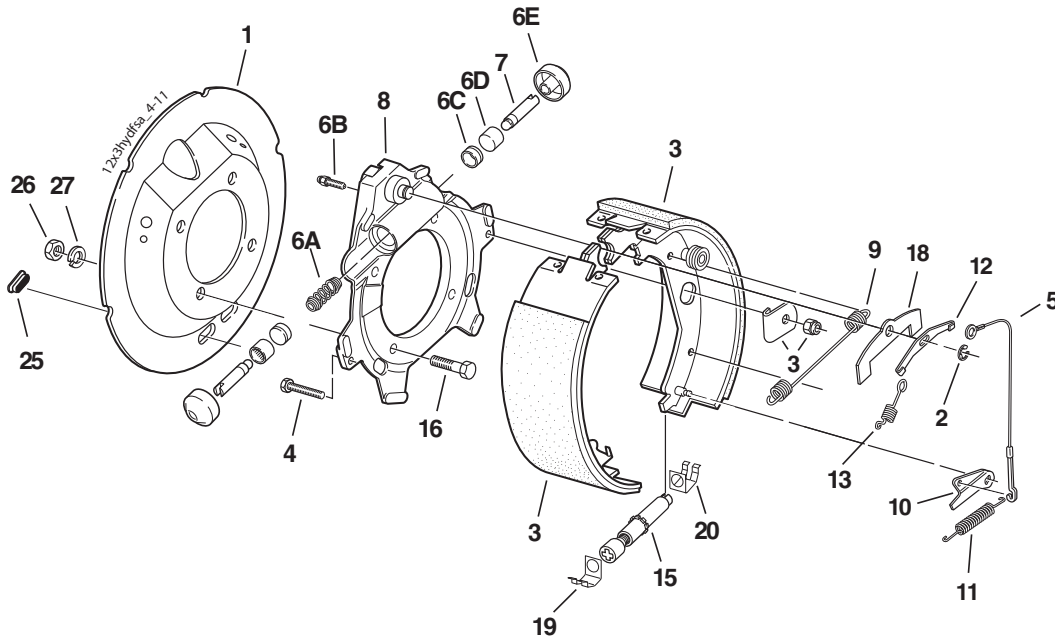
Brakes manufactured after April 2000 use a cast backing plate (not shown)

8000 LBS. CAPACITY

12-1/4" x 3-3/8" 8,000 lbs. Hydraulic Brake FSA



ABS Parts Available



Hydraulic Brake 8000 lbs.

Item	Part No.	Qty/Brk	Description
+0	K23-418-00	1	LH Complete Brake Assembly FSA US
+0	K23-419-00	1	RH Complete Brake Assembly FSA US
0	K23-402-00	1	LH Complete Brake Assembly FSA DS (shown)
0	K23-403-00	1	RH Complete Brake Assembly FSA DS
*1	036-115-20	1	Dust Shield
2	069-053-00	1	Retainer
3	K71-165-00	1	LH Shoe & Lining Kit Contains: 1 040-199-01 LH Primary Shoe & Lining 1 040-199-02 LH Secondary Shoe & Lining 2 005-107-00 Shoe Hold Down Washer 2 006-086-00 Locknut
3	K71-166-00	1	RH Shoe & Lining Kit Contains: 1 040-200-01 RH Primary Shoe & Lining 1 040-200-02 RH Secondary Shoe & Lining 2 005-107-00 Shoe Hold Down Washer 2 006-086-00 Locknut
4	007-113-00	2	Shoe Hold Down Screw
5	071-462-00	1	Adjuster Cable
6	K71-080-00	1	Wheel Cylinder Kit (1.00" Bore) Contains: 1 046-130-00 Spring 2 054-032-00 Boot 2 054-041-00 Piston 2 054-085-00 Cup 1 054-035-00 Bleeder Screw
7	054-033-00	1 or 2	Cylinder Push Rod US (1) DS (2)
8	036-064-06	1	LH Spider Assembly US (incl. items 4, 6, 7)
8	036-064-07	1	RH Spider Assembly US (incl. items 4, 6, 7)
8	036-064-03	1	Spider Assembly (incl. items 4, 6, 7) DS
9	046-087-00	1	Retractor Spring
10	071-464-00	1	LH Adjuster Lever
10	071-463-00	1	RH Adjuster Lever
11	046-135-00	1	LH Adjuster Spring
11	046-134-00	1	RH Adjuster Spring
12	071-456-00	1	Cable Attachment Bracket
13	046-131-01	1	Extension Spring
15	048-019-00	1	LH Adjuster Assembly
15	048-020-00	1	RH Adjuster Assembly
*16	007-097-00	4	Brake Mounting Bolt
18	034-062-00	1	Piston Stop
19	046-132-00	1	Adjuster Clip (thread end)
20	046-133-00	1	Adjuster Clip (barrel end)
*25	046-007-00	2	Adjuster Slot Plug
*26	006-129-00	4	Brake Mounting Nut
*27	005-058-00	4	Lock Washer

* Not included with complete brake assembly. Item sold separately.
+ Uni-Servo version not shown.

Hydraulic Brake 8000 lbs. - Corrosion Resistant Duo-Servo Only

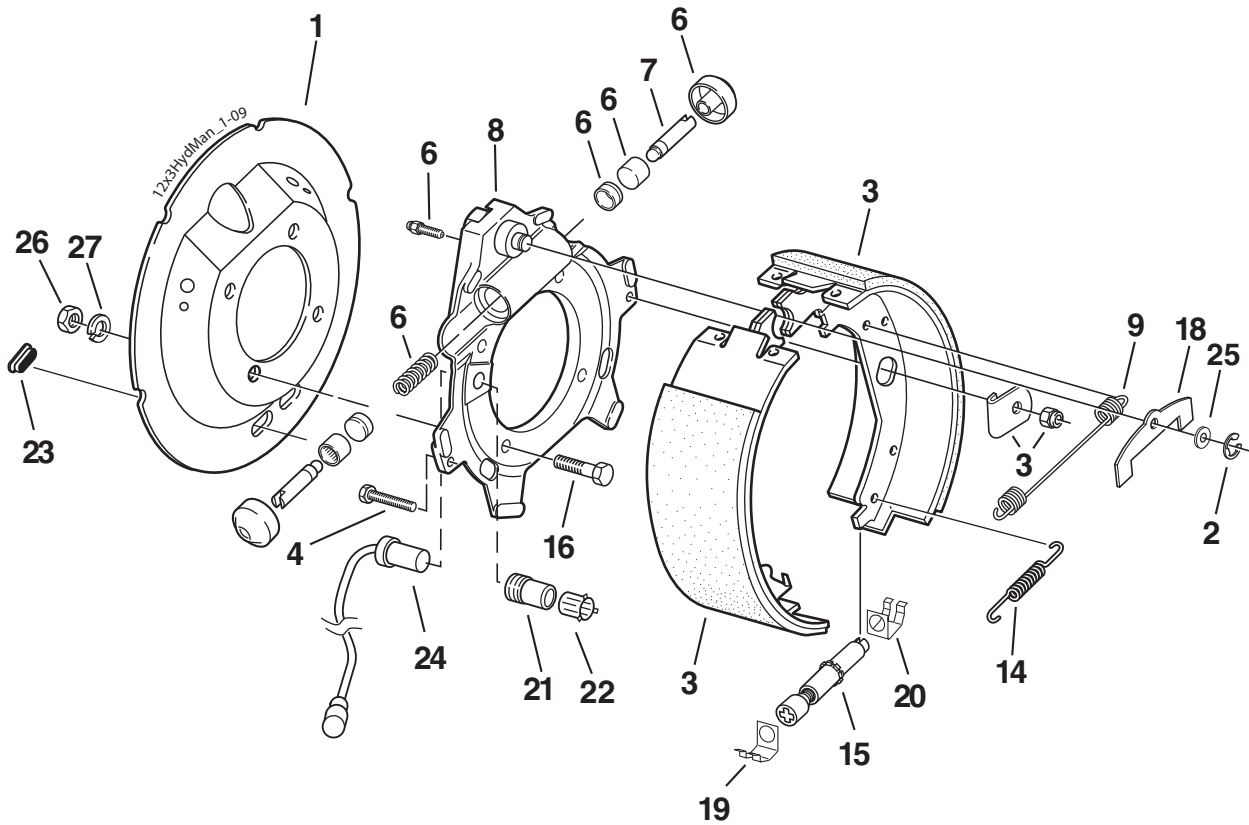
Item	Part No.	Qty/Brk	Description
0	K23-420-00	1	LH Complete Brake Assembly FSA
0	K23-421-00	1	RH Complete Brake Assembly FSA
*1	036-115-20	1	Dust Shield
2	069-053-00	1	Retainer
3	K71-437-00	1	LH Shoe & Lining Kit Contains: 1 040-199-05 LH Primary Shoe & Lining 1 040-199-06 LH Secondary Shoe & Lining 2 005-107-02 Shoe Hold Down Washer 2 006-086-00 Locknut
3	K71-438-00	1	RH Shoe & Lining Kit Contains: 1 040-200-05 RH Primary Shoe & Lining 1 040-200-06 RH Secondary Shoe & Lining 2 005-107-02 Shoe Hold Down Washer 2 006-086-00 Locknut
4	007-113-01	2	Shoe Hold Down Screw
5	071-462-00	1	Adjuster Cable
6A	046-130-00	1	Spring
6B	054-035-00	1	Bleeder Screw
6C	054-085-00	2	Cup
6D	054-083-00	2	Piston
6E	054-032-00	2	Boot
7	054-033-00	2	Cylinder Push Rod
8	036-064-14	1	Spider Assembly (incl. items 4, 6, 7) DS
9	046-087-01	1	Retractor Spring
10	071-464-00	1	LH Adjuster Lever
10	071-463-00	1	RH Adjuster Lever
11	046-135-01	1	LH Adjuster Spring
11	046-134-01	1	RH Adjuster Spring
12	071-456-00	1	Cable Attachment Bracket
13	046-131-02	1	Extension Spring
15	048-019-00	1	LH Adjuster Assembly
15	048-020-00	1	RH Adjuster Assembly
*16	007-097-00	4	Brake Mounting Bolt
18	034-062-02	1	Piston Stop
19	046-132-00	1	Adjuster Clip (thread end)
20	046-133-00	1	Adjuster Clip (barrel end)
*25	046-007-00	2	Adjuster Slot Plug
*26	006-129-00	4	Brake Mounting Nut
*27	005-058-00	4	Lock Washer

8000 LBS. CAPACITY

12-1/4" x 3-3/8" 8,000 lbs. Hydraulic Brake Manual Adjust



Shown With ABS Parts



Hydraulic Brake 8000 lbs.

Item	Part No.	Qty/Brk	Description
0	K23-388-00	1	LH Complete Brake Assembly-DS (shown)
0	K23-387-00	1	RH Complete Brake Assembly-DS
*1	036-115-20	1	Dust Shield
2	069-053-00	1	Retainer
3	K71-165-00	1	LH Shoe & Lining Kit Contains: 1 040-199-01 LH Primary Shoe & Lining 1 040-199-02 LH Secondary Shoe & Lining 2 005-107-00 Shoe Hold Down Washer 2 006-086-00 Locknut
3	K71-166-00	1	RH Shoe & Lining Kit Contains: 1 040-200-01 RH Primary Shoe & Lining 1 040-200-02 RH Secondary Shoe & Lining 2 005-107-00 Shoe Hold Down Washer 2 006-086-00 Locknut
4	007-113-00	2	Shoe Hold Down Screw
6	K71-080-00	1	Wheel Cylinder Kit (1.00" Bore) Contains: 1 046-130-00 Spring 2 054-032-00 Boot 2 054-041-00 Piston 2 054-085-00 Cup 1 054-035-00 Bleeder Screw
7	054-033-00	2	Cylinder Push Rod
8	036-064-03	1	Spider Assembly (incl. items 4, 6, 7)
9	046-087-00	1	Retractor Spring
14	046-018-00	1	Adjuster Spring
15	048-017-00	1	Adjuster Assembly
*16	007-097-00	4	Brake Mounting Bolt

* Not included with complete brake assembly. Item sold separately.

Hydraulic Brake 8000 lbs.

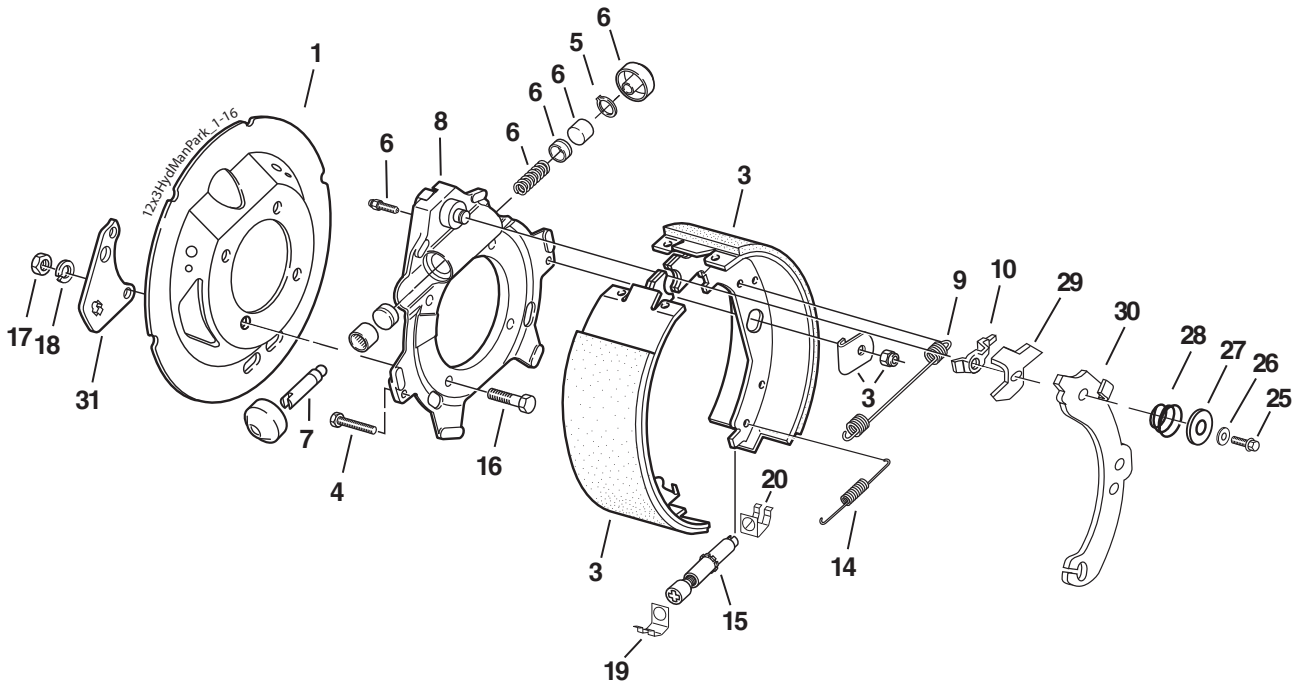
Item	Part No.	Qty/Brk	Description
18	034-062-00	1	Piston Stop
19	046-132-00	1	Adjuster Clip (thread end)
20	046-133-00	1	Adjuster Clip (barrel end)
*21	024-204-00	1	ABS Sensor Mounting Block
*22	097-002-00	1	ABS Sensor Retaining Clip
*23	046-007-00	2	Adjuster Slot Plug
*24	097-004-00	1	ABS Sensor (straight)
25	005-142-00	1	Washer
*26	006-129-00	4	Brake Mounting Nut
*27	005-058-00	4	Lock Washer

8000 LBS.
CAPACITY

12-1/4" x 3-3/8" 8,000 lbs. Hydraulic Brake Parking Feature Manual Adjust



ABS Parts Available



Hydraulic Brake 8000 lbs.

Item	Part No.	Qty/Brk	Description
+0	023-252-00	1	LH Complete Brake Assembly-US, w/park
+0	023-253-00	1	RH Complete Brake Assembly-US, w/park
0	023-171-00	1	LH Complete Brake Assembly-DS SA, w/park, RSA
0	023-172-00	1	RH Complete Brake Assembly-DS SA, w/park, RSA
*1	036-115-24	1	Dust Shield
3	K71-165-00	1	LH Shoe & Lining Kit Contains: 1 040-199-01 LH Primary Shoe & Lining 1 040-199-07 LH Secondary Shoe & Lining 2 005-107-00 Shoe Hold Down Washer 2 006-086-00 Locknut
3	K71-166-00	1	RH Shoe & Lining Kit Contains: 1 040-200-01 RH Primary Shoe & Lining 1 040-200-02 RH Secondary Shoe & Lining 2 005-107-02 Shoe Hold Down Washer 2 006-086-00 Locknut
4	007-113-00	2	Shoe Hold Down Screw
5	069-040-00	1	Snap Ring
6	K71-080-00	1	Wheel Cylinder Kit (1.00" Bore) Contains: 1 046-130-00 Spring 2 054-032-00 Boot 2 054-041-00 Piston 2 054-085-00 Cup 1 054-035-00 Bleeder Screw
7	054-033-00	2	Cylinder Push Rod-US
8	036-064-08	1	LH Spider Assembly (incl. items 4,5,6,7) US
8	036-064-09	1	RH Spider Assembly (incl. items 4,5,6,7) US
ns	036-064-02	1	LH or RH Spider Assembly (incl. items 4,6,7) US
9	046-087-00	1	Retractor Spring

* Not included with complete brake assembly. Item sold separately.
+ Uni-servo version not shown.
ns - not shown

Hydraulic Brake 8000 lbs.

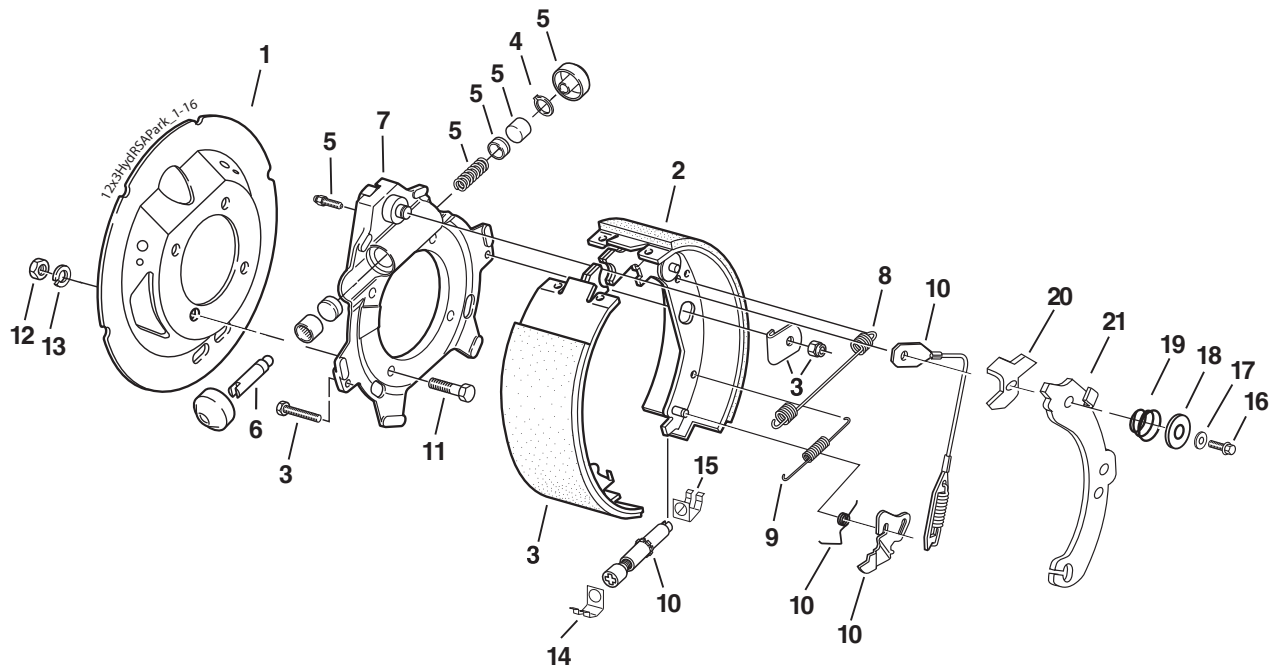
Item	Part No.	Qty/Brk	Description
10	033-083-00	1	Spacer
14	046-018-00	1	Adjuster Spring
15	048-017-00	1	Adjuster Assembly
*16	007-097-00	4	Brake Mounting Bolt
*17	006-129-00	4	Brake Mounting Nut
*18	005-058-00	4	Lock Washer
19	046-132-00	1	Adjuster Clip (thread end)
20	046-133-00	1	Adjuster Clip (barrel end)
25	007-096-00	1	Hold Down Lever Bolt
26	005-143-00	1	Star Washer
27	005-065-00	0	Hold Down Lever Washer
28	046-091-00	1	Hold Down Lever Spring
29	039-055-00	1	Parking Cam LH
29	039-056-00	1	Parking Cam RH
30	047-089-00	1	Parking Lever LH
30	047-090-00	1	Parking Lever RH
*31	071-512-00	1	Parking Cable Bracket

**8000 LBS.
CAPACITY**

12-1/4" x 3-3/8" 8,000 lbs. Hydraulic Brake RSA Parking Feature



ABS Parts Available



Hydraulic Brake 8000 lbs.

Item	Part No.	Qty/Brk	Description
0	023-171-00	1	LH Complete Brake Assembly-DS SA, w/park, RSA
0	023-172-00	1	RH Complete Brake Assembly-DS SA, w/park, RSA
*1	036-115-24	1	Dust Shield
2	K71-165-00	1	LH Shoe & Lining Kit Contains: 1 040-199-01 LH Primary Shoe & Lining 1 040-199-02 LH Secondary Shoe & Lining 2 005-107-00 Shoe Hold Down Washer 2 006-086-00 Locknut
2	K71-166-00	1	RH Shoe & Lining Kit Contains: 1 040-200-01 RH Primary Shoe & Lining 1 040-200-02 RH Secondary Shoe & Lining 2 005-107-02 Shoe Hold Down Washer 2 006-086-00 Locknut
3	007-113-00	2	Shoe Hold Down Screw
4	069-040-00	1	Snap Ring (for Uni-servo only)
5	K71-080-00	1	Wheel Cylinder Kit (1.00" Bore) Contains: 1 046-130-00 Spring 2 054-032-00 Boot 2 054-041-00 Piston 2 054-085-00 Cup 1 054-035-00 Bleeder Screw
6	054-033-00	2	Cylinder Push Rod-US
ns	036-064-08	1	LH Spider Assembly (incl. items 4,5,6,7) US
ns	036-064-09	1	RH Spider Assembly (incl. items 4,5,6,7) US
7	036-064-02	1	LH or RH Spider Assembly (incl. items 4,6,7,8) DS
8	046-087-00	1	Retractor Spring

Hydraulic Brake 8000 lbs.

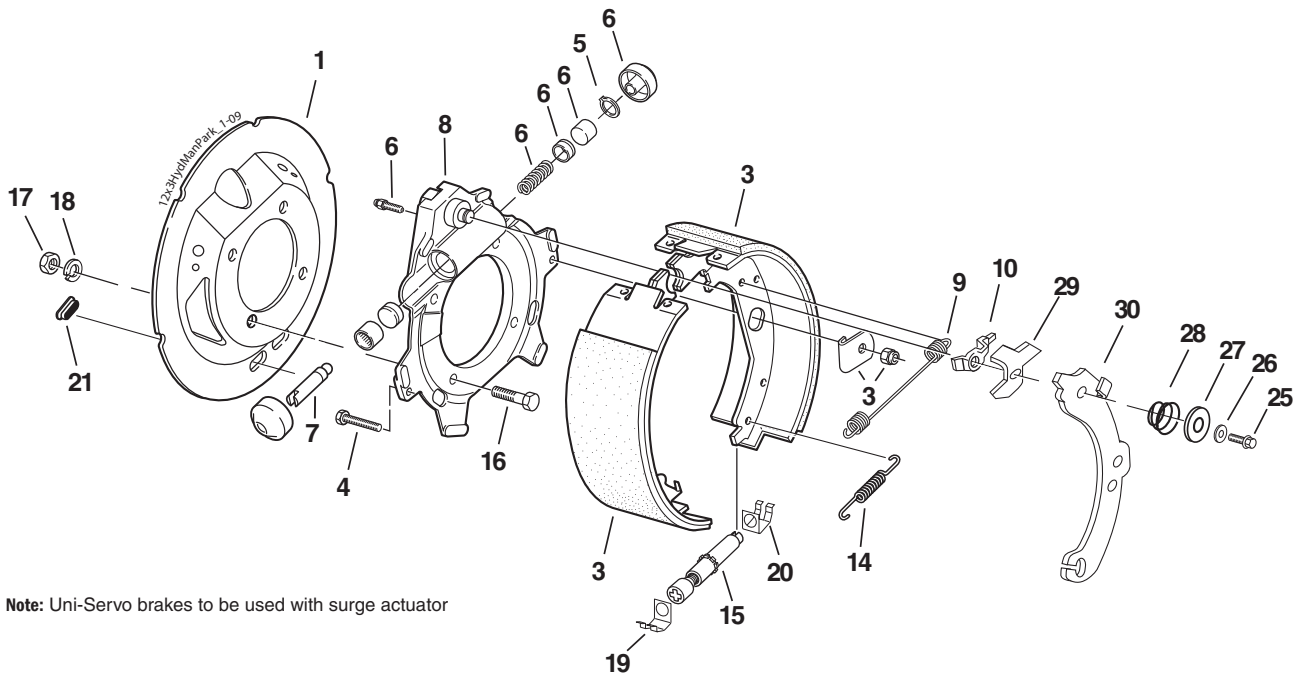
Item	Part No.	Qty/Brk	Description
9	046-072-00	1	Adjuster Spring
10	K71-417-00	1	LH & RH Brake Adjuster Kit Contains: 1 046-073-00 LH Adjustment Lever Spring 1 046-074-00 RH Adjustment Lever Spring 1 048-009-00 LH Adjusting Screw 1 048-010-00 RH Adjusting Screw 2 071-443-00 Adjuster Cable 1 071-019-01 LH Adjusting Lever 1 071-019-02 RH Adjusting Lever
*11	007-097-00	4	Brake Mounting Bolt
12	006-129-00	4	Brake Mounting Nut
13	005-058-00	4	Lock Washer
14	046-132-00	1	Adjuster Clip (thread end)
15	046-133-00	1	Adjuster Clip (barrel end)
16	007-096-00	1	Hold Down Lever Bolt
17	005-143-00	1	Star Washer
18	005-065-00	0	Hold Down Lever Washer
19	046-091-00	1	Hold Down Lever Spring
20	039-055-00	1	Parking Cam LH
20	039-056-00	1	Parking Cam RH
21	047-089-00	1	Parking Lever LH
21	047-090-00	1	Parking Lever RH

* Not included with complete brake assembly. Item sold separately.

ns - not shown

**8000 LBS.
CAPACITY**

12-1/4" x 3-3/8" 8,000 lbs. Hydraulic Brake with Parking Feature Manual Adjust (Uni-Servo)



Note: Uni-Servo brakes to be used with surge actuator

Hydraulic Brake 8000 lbs.

Item	Part No.	Qty/Brk	Description
0	K23-252-00	1	LH Complete Brake Assembly-US, w/park (shown)
0	K23-253-00	1	RH Complete Brake Assembly-US, w/park
*1	036-115-24	1	Dust Shield
3	K71-165-00	1	LH Shoe & Lining Kit Contains: 1 040-199-01 LH Primary Shoe & Lining 1 040-199-02 LH Secondary Shoe & Lining 2 005-107-00 Shoe Hold Down Washer 2 006-086-00 Locknut
3	K71-166-00	1	RH Shoe & Lining Kit Contains: 1 040-200-01 RH Primary Shoe & Lining 1 040-200-02 RH Secondary Shoe & Lining 2 005-107-00 Shoe Hold Down Washer 2 006-086-00 Locknut
4	007-113-00	2	Shoe Hold Down Screw
5	069-040-00	1	Snap Ring
6	K71-080-00	1	Wheel Cylinder Kit (1.00" Bore) Contains: 1 046-130-00 Spring 2 054-032-00 Boot 2 054-041-00 Piston 2 054-085-00 Cup 1 054-035-00 Bleeder Screw
7	054-033-00	2	Cylinder Push Rod-US
8	036-064-08	1	LH Spider Assembly (incl. items 4,5,6,7) US
8	036-064-09	1	RH Spider Assembly (incl. items 4,5,6,7) US
9	046-087-00	1	Retractor Spring

* Not included with complete brake assembly. Item sold separately.

Hydraulic Brake 8000 lbs.

Item	Part No.	Qty/Brk	Description
10	033-083-00	1	Spacer
14	046-018-00	1	Adjuster Spring
15	048-017-00	1	Adjuster Assembly
*16	007-097-00	4	Brake Mounting Bolt
*17	006-129-00	4	Brake Mounting Nut
*18	005-058-00	4	Lock Washer
19	046-132-00	1	Adjuster Clip (thread end)
20	046-133-00	1	Adjuster Clip (barrel end)
*21	046-007-00	2	Adjuster Slot Plug
25	007-096-00	1	Hold Down Lever Bolt
26	005-143-00	1	Star Washer
27	005-065-00	0	Hold Down Lever Washer
28	046-091-00	1	Hold Down Lever Spring
29	039-055-00	1	Parking Cam LH
29	039-056-00	1	Parking Cam RH
30	047-089-00	1	Parking Lever LH
30	047-090-00	1	Parking Lever RH
ns	071-512-00	1	Parking Cable

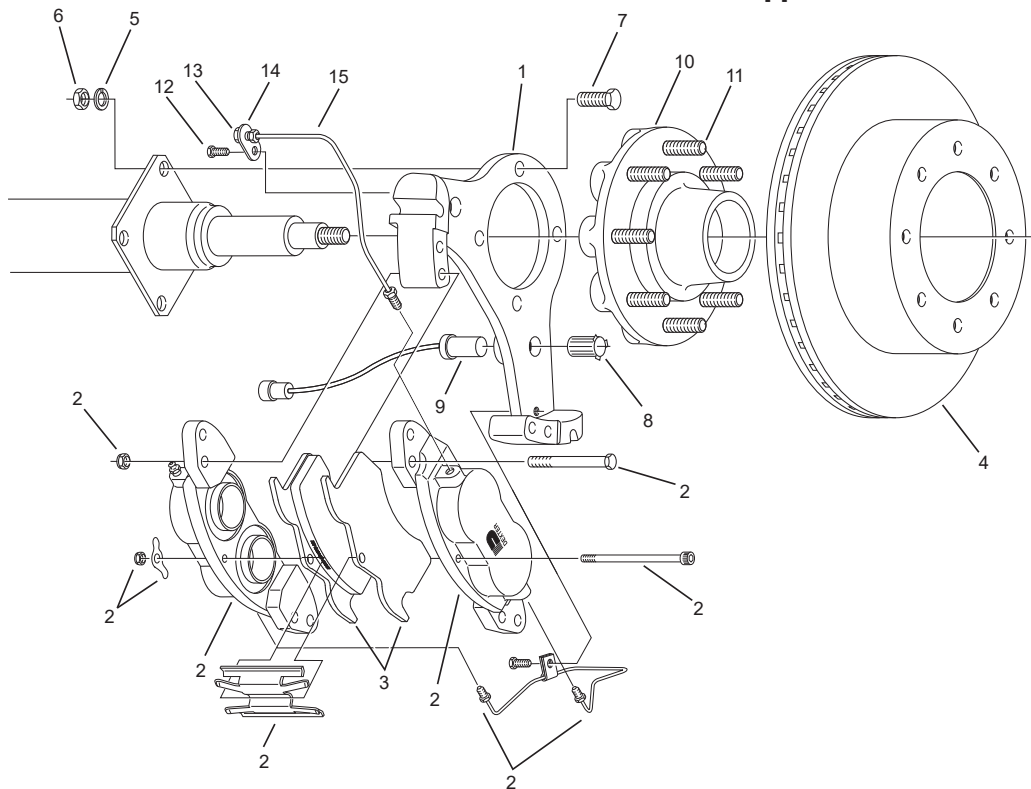
ns - not shown

**8000 LBS.
CAPACITY**

Disc Brake for 8,000 lbs. Axles



CSA approved at 8000 lbs. /14.0 SLR



Disc Brake 8000 lbs.

Item	Part No.	Qty/Brk	Description
1	090-003-01	1	Anchor Yoke
2	K71-630-00	1	Caliper Assembly Kit for LH or RH Contains:
	4 006-045-00		Caliper Mounting Nut
	1 006-289-00		Nut
	4 007-254-00		Caliper Mounting Bolt
	1 007-469-00		Hex Bolt
	1 019-019-00		Cotter Ring
	1 027-060-00		Tube Clamp
	1 046-145-00		Anti-Rattle Spring
	1 046-218-00		Spring Tension Clip
	1 054-092-00		Bleeder Screw
	1 054-094-00		Adapter Fitting
	1 071-513-00		Cross Over Hydraulic Line (yokes without notch)
	1 071-518-00		Cross Over Hydraulic Line (yokes with notch)
	1 087-002-00		Hex Bolt
	2 089-003-02		Assembled Caliper Half
12	087-002-00	1	Hex Bolt
13	071-A73-00	1	Brass Union Fitting 3/16" to 3/16" Inverted Flare
14	070-031-01	1	Brake Line Mounting Plate
15	071-840-00	1	RH Brake Line Remote Inlet
15	071-841-00	1	LH Brake Line Remote Inlet
3	K71-629-00	1	Brake Pad Kit (axle set)
4	K71-631-00	1	Rotor Kit
5	005-058-00	4	1/2" Lock Washer
6	006-129-01	4	1/2" Hex Nut
7	007-097-00	4	1/2" Brake Mounting Bolt
8	097-002-00	1	ABS Sensor Retaining Clip
9	097-004-00	1	ABS Sensor (straight)

Disc Brake 8000 lbs. With 50MM Nev-R-Lube®

Item	Part No.	Qty/Brk	Description
1	090-007-01	1	Anchor Yoke
2	K71-630-00	1	Caliper Assembly Kit for LH or RH Contains:
	4 006-045-00		Caliper Mounting Nut
	1 006-289-00		Nut
	4 007-254-00		Caliper Mounting Bolt
	1 007-469-00		Hex Bolt
	1 019-019-00		Cotter Ring
	1 027-060-00		Tube Clamp
	1 046-145-00		Anti-Rattle Spring
	1 046-218-00		Spring Tension Clip
	1 054-092-00		Bleeder Screw
	1 054-094-00		Adapter Fitting
	1 071-513-00		Cross Over Hydraulic Line (yokes without notch)
	1 071-518-00		Cross Over Hydraulic Line (yokes with notch)
	1 087-002-00		Hex Bolt
	2 089-003-02		Assembled Caliper Half
12	087-002-00	1	Hex Bolt
13	071-A73-00	1	Brass Union Fitting 3/16" to 3/16" Inverted Flare
14	070-031-01	1	Brake Line Mounting Plate
15	071-840-00	1	RH Brake Line Remote Inlet
15	071-841-00	1	LH Brake Line Remote Inlet
3	K71-629-00	1	Brake Pad Kit (axle set)
4	K71-631-00	1	Rotor Kit
5	005-058-00	4	1/2" Lock Washer
6	006-129-01	4	1/2" Hex Nut
7	007-097-00	4	1/2" Brake Mounting Bolt
8	097-002-00	1	ABS Sensor Retaining Clip
9	097-004-00	1	ABS Sensor (straight)

Disc Brake Hubs & Studs

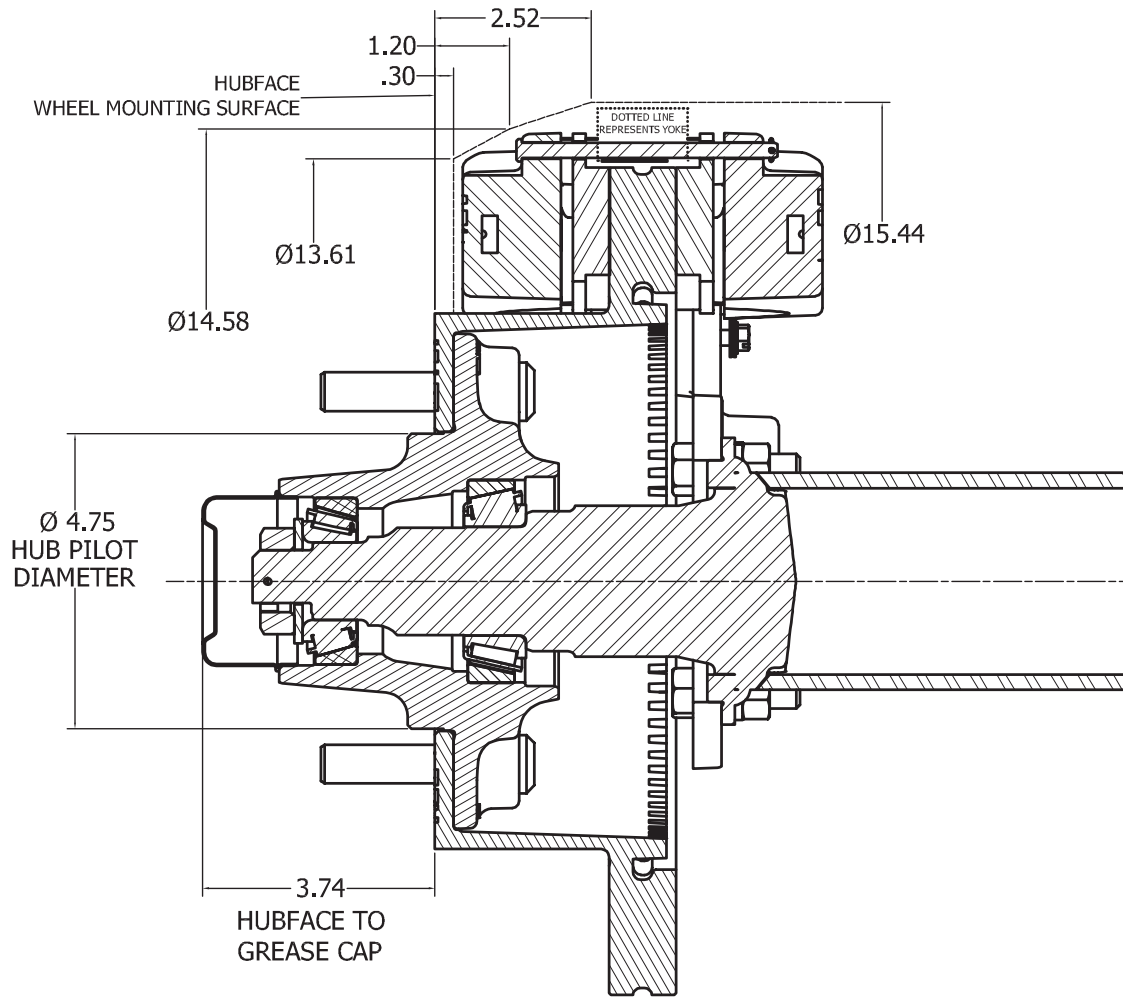
Item	Part No.	Qty/Brk	Description
10	008-399-05	1	Grease 3/16" Studs 8 on 6.50
10	008-399-06	1	Oil 3/16" Studs 8 on 6.50
10	008-399-07	1	Grease 5/8" Studs 8 on 6.50
10	008-399-08	1	Oil 5/8" Studs 8 on 6.50
11	007-257-00	8	3/16"-18 x 2.50" Press-in Stud
11	007-115-00	8	5/8"-18 x 3.16" Press-in Stud

Nev-R-Lube® Disc Brake Hubs

Item	Part No.	Qty/Brk	Description
10	008-402-80	1	3/16" Studs, 50mm 8 on 6.50
10	008-402-81	1	5/8" Studs, 50mm 8 on 6.50
11	007-257-00	8	3/16"-18 x 2.50" Press-in Stud
11	007-115-00	8	5/8"-18 x 3.16" Press-in Stud

8000 LBS. CAPACITY

Recommended Wheel Clearance for 8,000 lbs. lbs. Disc Brake



CAUTION: The above hub/rotor profile shows the minimum clearance needed to ensure that no part of the wheel makes contact with any brake component.

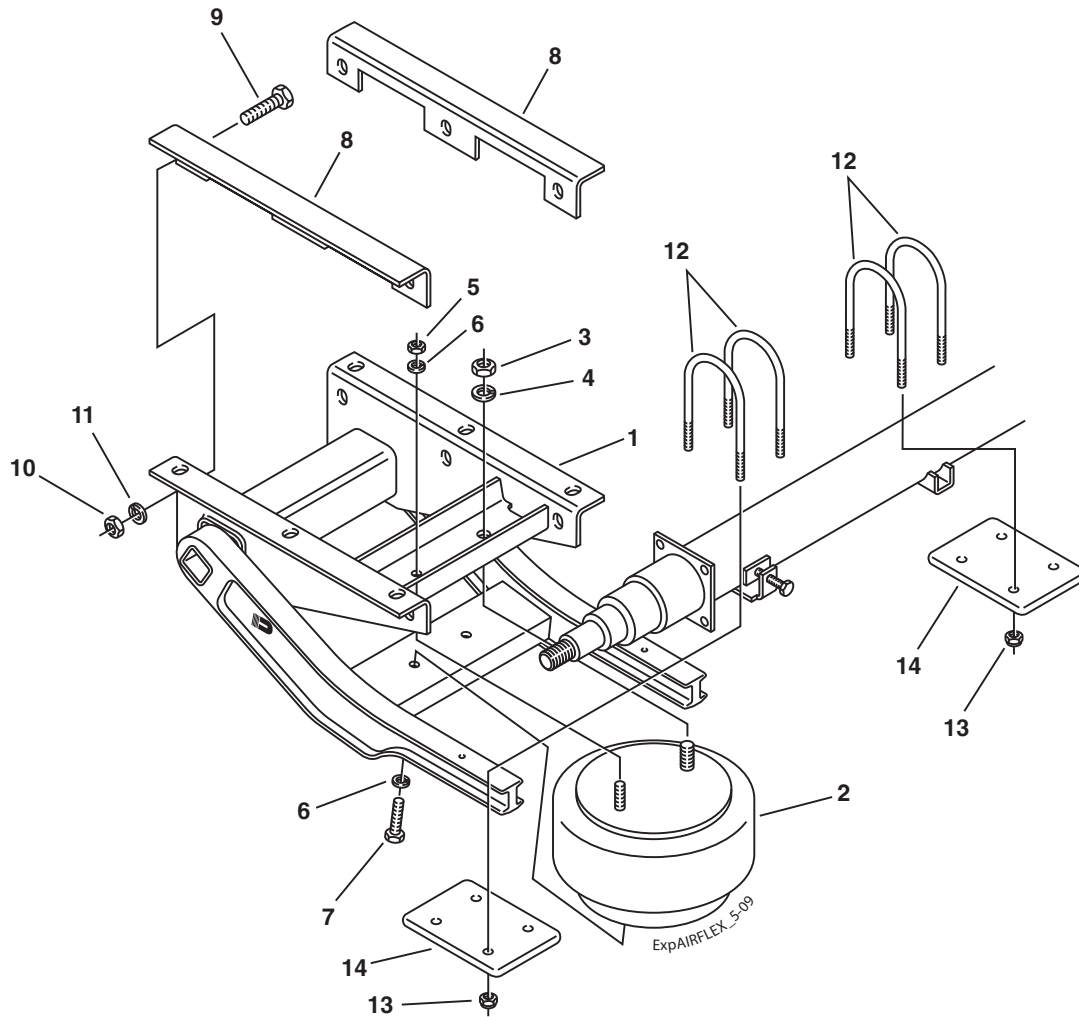
Make sure the wheel is in full contact with the hub face and does not drag against the brake caliper. If there is not full contact with the hub face, you may experience a dangerous wheel separation.

8000 LBS. CAPACITY

Airflex® for 8,000 lbs. Axles – Before May 2010



Service Parts Only



AIRFLEX® Suspension Components 8000 lbs.

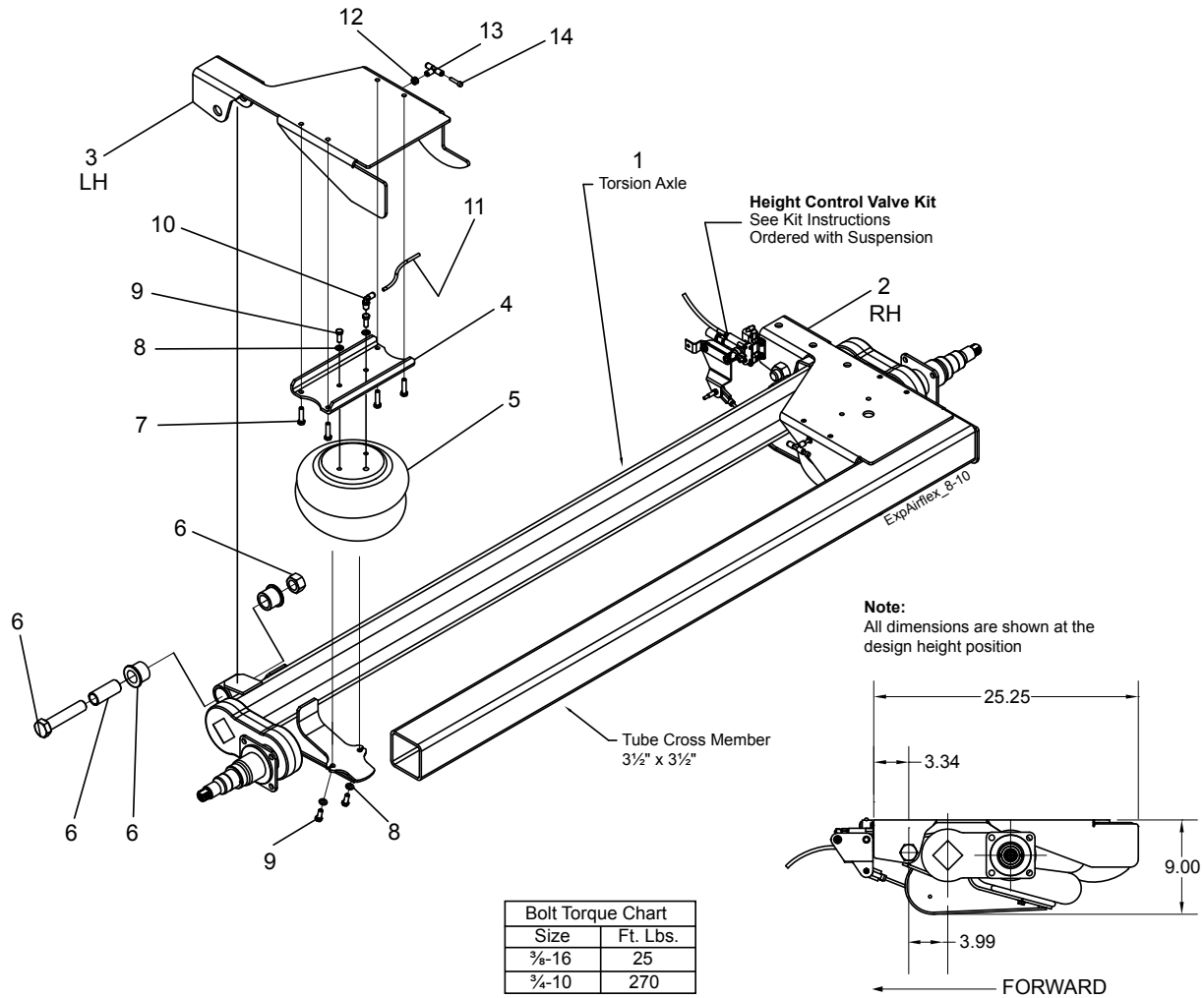
Item	Part No.	Qty/Axle	Description
1	003-272-00	1	LH Suspension Assembly (shown) (incl. items 2-11)
1	003-273-00	1	RH Suspension Assembly (incl. items 2-11)
Air Spring & Mounting Hardware			
2	034-279-00	2	Air Spring
3	006-122-01	2	3/4"-16 Jam Nut
4	005-143-00	2	3/4" Lock Washer
5	006-116-00	2	1/2"-13 Hex Nut
6	005-058-00	6	1/2" Lock Washer
7	007-259-00	4	1/2"-13 Hex Bolt
Suspension Mounting Hardware			
8	003-261-00	2	Side Mount Bracket
9	007-177-00	6	5/8" Mounting Bolt
10	006-126-00	6	5/8" Locknut
11	005-111-00	6	5/8" Washer
Axle Attaching Hardware			
12	011-090-01	8	3/4" U-Bolt
13	006-113-00	16	3/4" Locknut
14	012-065-01	4	Tie Plate
Air Supply Kits			
ns	K71-632-01	-	Tandem Plumbing Kit with Ride Height Control Valve
ns	K71-632-02	-	Air Generation Kit (includes compressor and tank)
ns	K71-632-03	-	Manual Dump Valve Kit
ns	K71-632-04	-	Tri-Axle Conversion Plumbing Kit

ns - not shown

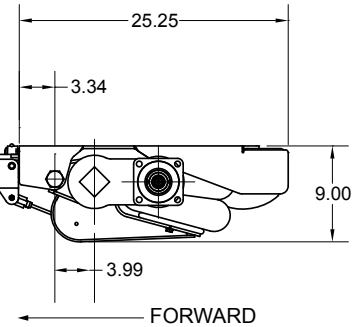
Please see page 9 for an overview of the Airflex® Suspension system.

8000 LBS.
CAPACITY

Airflex® for 8,000 lbs. Axles - After May 2010



Note:
All dimensions are shown at the design height position



Bolt Torque Chart	
Size	Ft. Lbs.
3/8-16	25
3/4-10	270

AIRFLEX® Suspension Components 8000 lbs.

Item	Part No.	Qty/Axle	Description
1	n/a	1	Torsion Axle with Suspension Brackets
2	003-327-00	1	RH Frame Bracket
3	003-326-00	1	LH Frame Bracket
4	003-323-00	2	Channel, Air Spring Support
5	W01-358-6947	2	Firestone Air Spring
6	K71-734-00	1	Airflex Pivot Bushing Replacement Kit Contains: 2 006-287-00 Nut, Hex Locking 2 007-466-00 Bolt, Hex 2 014-123-00 Pivot Bushing Assembly 2 014-127-00 Pivot Bushing Spacer
7	n/a	8	3/8-16 UNC x 1.5" LG HHCS
8	n/a	8	3/8 Regular Split Lock Washer
9	n/a	8	3/8-16 UNC x 1" LG HHCS
10	n/a	2	1/4 NPTM x 1/4 T 90° Elbow, Swivel
11	n/a	2	1/4 x 6.25" LG Nylon Tube
12	n/a	2	Grommet
13	n/a	2	1/4 T Union Tee
14	n/a	2	1/4 T Plug

Air Supply Kits

ns	K71-692-01	-	Ride Height Control Kit
ns	K71-692-02	-	Air Supply and Control Kit
ns	K71-692-03	-	Air Control Kit Without Air Supply

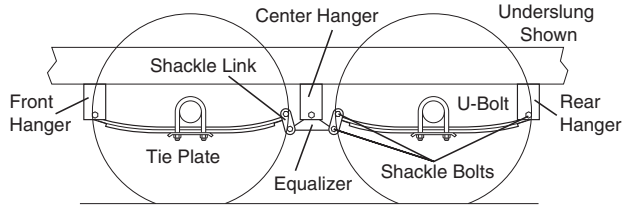
n/a - not available

ns - not shown

Please see page 9 for an overview of the Airflex® Suspension system.

8000 LBS. CAPACITY

Double Eye Suspension Components



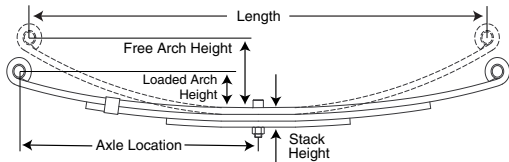
Double Eye Attaching Parts Kits

Capacity	33 1/2" Axle Spacing			35" Axle Spacing	
	Single	Tandem	Triple	Tandem	Triple
D20	A/P-122-00	A/P-233-00	A/P-335-00	N/A	N/A
D35	A/P-122-00	A/P-233-00	A/P-335-00	A/P-264-00	N/A
D52	A/P-122-00	A/P-233-00	A/P-335-00	A/P-264-00	A/P-364-00
D60	A/P-122-00	A/P-233-00	A/P-335-00	A/P-264-00	A/P-364-00
D70	A/P-122-00	A/P-233-00	A/P-335-00	A/P-264-00	A/P-364-00
D72	A/P-122-00	A/P-233-00	A/P-335-00	A/P-264-00	A/P-364-00
D80	A/P-122-00	A/P-233-00	A/P-335-00	A/P-264-00	A/P-364-00

Note: Common A/P kits are available in marine grade coating.

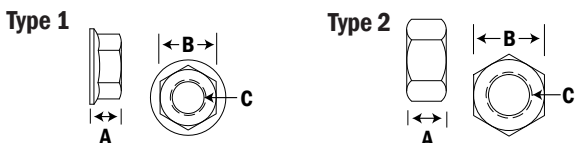
Sprung Axle Tube Diameter & Spring Pad Height

Capacity	Tube Dia.		Pad Ht.	
	Standard	Optional	Standard	Optional
D20	1.75	2.38	0.60	0.60
D35	2.38	3.00	0.60	0.60
D52	3.00	N/A	0.60	N/A
D60	3.00	N/A	0.60	N/A
D70	3.00	3.50	0.60	0.50
D72	3.00	3.50	0.60	0.50
D80	3.50	N/A	0.50	N/A



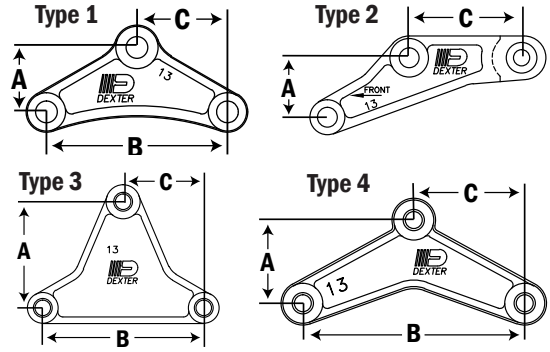
Double Eye Stack & Loaded Arch Heights

Cap. (lbs.)	Part No.	Stack Height	Width	Free Arch Length	Axle Location	Free Arch Height	Loaded Arch Height
700	072-016-00	0.67	1.75	20.45	10.62	3.12	2.12
1000	072-017-00	0.79	1.75	20.38	10.62	3.19	2.12
1250	072-022-00	0.94	1.75	25.12	13.00	3.18	1.75
1250	072-006-00	0.94	1.75	23.12	12.00	3.62	2.50
1400	072-013-00	1.10	1.75	20.50	10.62	3.35	2.38
1500	072-023-00	1.04	1.75	25.25	13.00	3.00	1.75
1750	072-042-00	1.27	1.75	25.25	13.00	3.00	1.50
1750	072-009-00	1.08	1.75	23.12	12.00	3.50	2.50
2000	072-024-00	1.41	1.75	25.25	13.00	3.00	1.75
2200	072-078-00	1.42	1.75	25.25	13.00	3.12	2.00
2600	072-025-00	1.44	1.75	25.25	13.00	3.00	1.75
3000	072-073-00	2.01	1.75	25.38	13.00	2.83	1.75
3500	072-027-00	2.05	1.75	24.88	13.00	3.38	1.75
4000	072-079-00	2.52	1.75	24.88	13.00	3.38	1.75



Shackle Nuts*

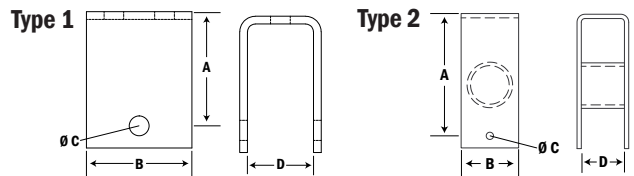
Part Number	Type	A	B	C
006-092-00	1	0.39	0.69	7/16 - 20 UNF - 2B
006-007-00	2	0.87	0.49	9/16 - 18 UNF - 2B



Double Eye Spring Equalizers*

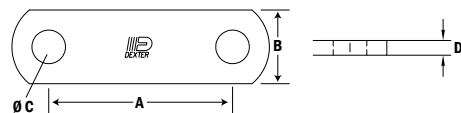
Part Number	Type	A	B	C
013-010-00	3	4.00	6.00	3.03
013-104-02	1	2.00	5.70	2.80
013-105-02	2	3.50	N/A	3.80
013-122-02	4	2.88	7.67	4.79
013-126-02	2	4.80	N/A	4.60
013-142-02	1	2.03	14.70	7.35
013-148-02	1	2.03	10.00	5.00

*Bronze Bushed versions are also available



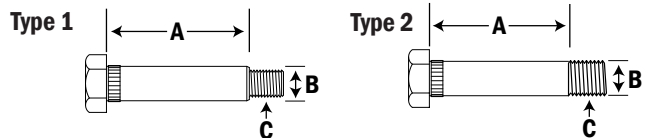
Double Eye Spring Hangers

Part Number	Type	Application	A	B	C	D
028-005-00	1	Hanger	3.25	3.00	0.56	1.88
028-006-00	1	Front	1.48	3.00	0.56	1.88
028-010-01	2	Front	5.00	3.00	0.57	1.88
028-039-00	1	Front	1.00	1.50	0.57	1.88
028-049-00	1	Hanger	4.25	3.00	0.57	1.88
028-070-00	2	Hanger	4.25	3.00	0.57	1.88
029-008-00	1	Front	2.06	3.00	0.57	1.88
029-031-00	1	Center	3.62	3.00	0.57	1.88
030-020-00	1	Rear	0.91	2.18	0.75	1.74
030-034-00	1	Rear	0.91	2.18	0.57	1.74



Shackle Links

Part Number	A	B	C	D
018-011-05	2.25	1.25	0.56	0.25
018-012-05	3.12	1.25	0.56	0.25
018-024-01	2.25	1.50	0.56	0.50
018-022-01	3.12	1.50	0.56	0.50



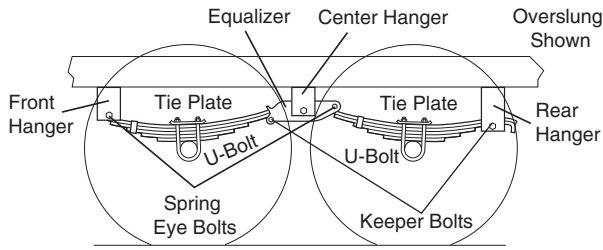
Shackle Bolts*

Part Number	Type	A	B	C
007-003-01	2	2.30	0.52	9/16 - 18 UNF - 2A
007-126-00	1	2.32	0.52	7/16 - 20 UNF - 2A
007-236-05	1	2.82	0.52	7/16 - 20 UNF - 2A

*Shackle Bolts may only be available in Shackle Link Assembly Kits.

SUSPENSION COMPONENTS

Slipper Springs Suspension Components



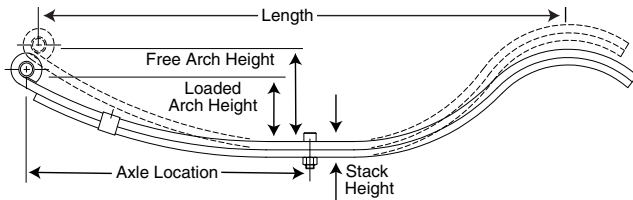
Attaching Parts Kits

Capacity	33.5" Axle Spacing			36" Axle Spacing	
	Single	Tandem	Triple	Tandem	Triple
D20	A/P-115-00	N/A	N/A	N/A	N/A
D35	A/P-103-00	A/P-202-00	A/P-302-00	N/A	N/A
D52	A/P-103-00	A/P-202-00	A/P-302-00	A/P-216-00	A/P-316-00
D60	A/P-103-00	A/P-202-00	A/P-302-00	A/P-216-00	A/P-316-00
D70	A/P-103-00	A/P-202-00	A/P-302-00	A/P-216-00	A/P-316-00
D72	A/P-103-00	A/P-202-00	A/P-302-00	A/P-216-00	A/P-316-00
D80	A/P-103-00	A/P-202-00	A/P-302-00	A/P-216-00	A/P-316-00

Note: Common A/P kits are available in marine grade coating.

Sprung Axle Tube Diameter & Spring Pad Height

Capacity	Tube Dia.	Tube Dia.	Pad Ht.	Pad Ht.
	Standard	Optional	Standard	Optional
D20	1.75	2.38	0.60	0.60
D35	2.38	3.00	0.60	0.60
D52	3.00	N/A	0.60	N/A
D60	3.00	N/A	0.60	N/A
D70	3.00	3.50	0.60	0.50
D72	3.00	3.50	0.60	0.50
D80	3.50	N/A	0.50	N/A

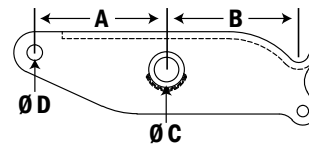


Stack & Loaded Arch Heights

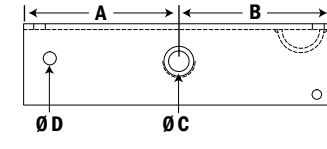
Cap. (lbs.)	Part No.	Stack Height	Width	Length	Axle Location	Free Arch Height	Loaded Arch Height
1000	072-002-00	0.68	1.75	24.75	13.00	4.19	3.12
1500	072-029-00	1.16	2.00	24.00	11.50	3.44	2.00
2000	072-030-00	1.33	2.00	24.00	11.50	3.50	2.00
2500	072-031-00	1.44	2.00	24.00	11.50	3.50	2.00
3500	072-032-00	1.80	2.00	24.00	11.50	3.50	2.00
4000	072-051-01	2.52	2.00	24.00	11.50	3.50	2.00
4000*	072-051-02	2.52	2.00	24.00	11.50	3.50	2.00

* Rubber Bushed

Type 1



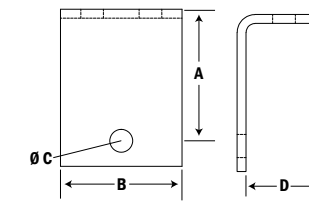
Type 2



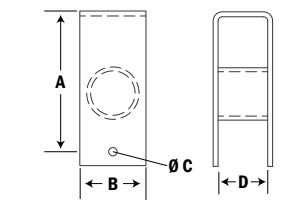
Slipper Spring Equalizers

Part Number	Type	A	B	C	D
013-004-02	1	4.75"	4.75"	0.88"	0.75"
013-006-00	2	13.25"	13.25"	0.88"	0.57"
013-044-02	2	6.44"	6.44"	0.88"	0.57"

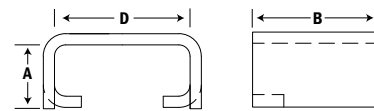
Type 1



Type 2



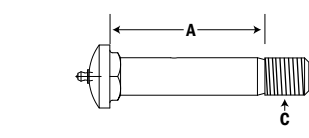
Type 3



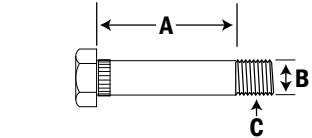
Slipper Spring Hangers

Part Number	Type	Application	A	B	C	D
028-001-00	1	Front	4.25	3.00	0.57	2.25
028-009-01	2	Front	5.00	3.00	0.57	2.25
029-001-00	1	Center	3.50	3.00	0.90	3.06
029-005-01	2	Center	3.00	4.50	0.89	3.06
030-006-01	2	Rear	6.38	3.00	0.38	2.25
030-028-00	2	Rear	5.25	3.00	0.38	2.25
030-037-00	3	Rear	1.00	2.00	n/a	2.17

Type 1



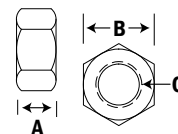
Type 2



Attaching Bolts*

Part Number	Type	A	B	C
007-001-01	1	3.45	0.88	7/8 - 9 UNC - 2A
007-003-01	2	2.30	0.45	9/16 - 18 UNF - 2A
007-007-00	2	2.37	0.32	5/16 - 18 UNC - 2A
007-017-00	2	2.75	0.56	9/16 - 18 UNF - 2A

*Shackle Bolts may only be available in Shackle Link Assembly Kits.



Attaching Nuts*

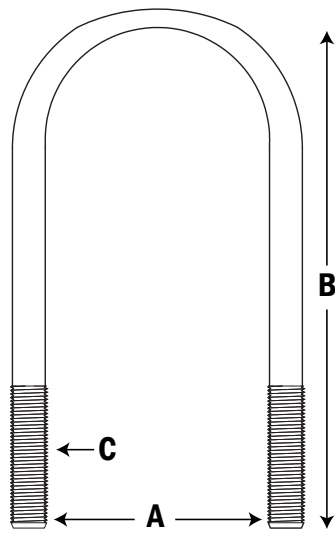
Part Number	A	B	C
006-007-01	0.87	0.49	9/16 - 9 UNC - 2B
006-011-00	0.27	0.50	5/16 - 18 UNC - 2B
006-111-00	1.29	0.75	7/8 - 18 UNF - 2B

*Attaching Nuts may only be available in Kits.

SUSPENSION COMPONENTS

Advantages of a Dexter Coined U-Bolt

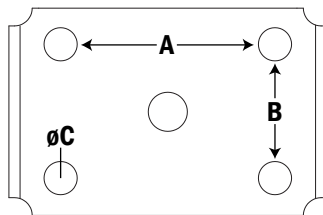
- U-Bolts are manufactured in-house, offering superior quality
- Coined U-bolts provide 5x more tube contact area, providing superior leaf spring attachment
- U-bolt diameters and torque values are specifically designed for individual applications



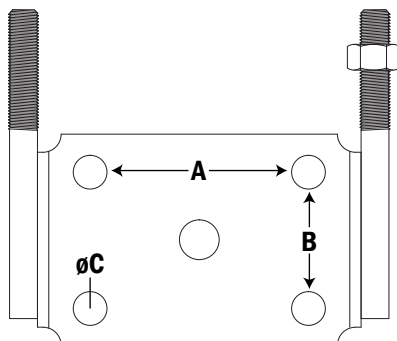
U-Bolts			
Part Number	Tube Size	Inside Length	
		B	C
011-054-01	1-3/4"	4.25"	3/8 - 24 UNF - 2A
011-088-01*	1-3/4"	4.00"	3/8 - 24 UNF - 2A
011-110-01	1-3/4"	4.87"	3/8 - 24 UNF - 2A
011-021-00	2-3/8"	5.50"	1/2 - 20 UNF - 2A
011-074-01*	2-3/8"	5.13"	7/16 - 20 UNF - 2A
011-075-01	2-3/8"	5.73"	7/16 - 20 UNF - 2A
011-016-01*	3"	5.97"	1/2 - 20 UNF - 2A
011-017-01*	3"	6.63"	1/2 - 20 UNF - 2A
011-018-01*	3"	7.05"	1/2 - 20 UNF - 2A
011-065-01	3-1/2"	7.89"	9/16 - 18 UNF - 2A
011-123-01*	3-1/2"	7.89"	9/16 - 12 UNC - 2A
011-063-01	3-1/2"	6.83"	1/2 - 20 UNF - 2A
011-090-01	3-1/2"	7.25"	3/4 - 10 UNC - 2A
011-022-00	5"	11.60"	3/4 - 10 UNC - 2A

*Standard Length U-Bolt

Type 1



Type 2



Tie Plate				
Part Number	Type	Tube Diameter		Spring Width
		A	B	
012-051-02	1	2-3/8"	1-3/4"	0.5
012-051-03	2	2-3/8"	1-3/4"	0.5
012-052-00	1	2-3/8"	1-3/4"	0.5
012-055-01	1	2-3/8"	1-3/4"	0.52
012-003-00	1	2-3/8"	1-3/4"	0.56
012-004-00	1	2-3/8"	2"	0.56
012-001-02	1	3"	1-3/4"	0.56
012-001-03	2	3"	1-3/4"	0.56
012-002-03	1	3"	2"	0.56
012-002-04	2	3"	2"	0.56
012-050-00	1	3"	1-3/4"	0.5
012-037-02	1	3-1/2"	2"	0.62
012-037-04	1	3-1/2"	2"	0.62
012-084-04	1	3-1/2"	1-3/4"	0.62
012-054-00	1	3-1/2"	3"	0.81
012-065-00	1	3-1/2"	2"	0.88

Marine Grade Coating may also be available.

The following instructions describe methods that can be used to attach your Torflex® axles to the vehicle frame.

Step 1: The user must first decide where to place the axle(s) on the trailer. The position of the wheel center relative to the CG (center of gravity) will determine the final axle loading as well as the hitch load.

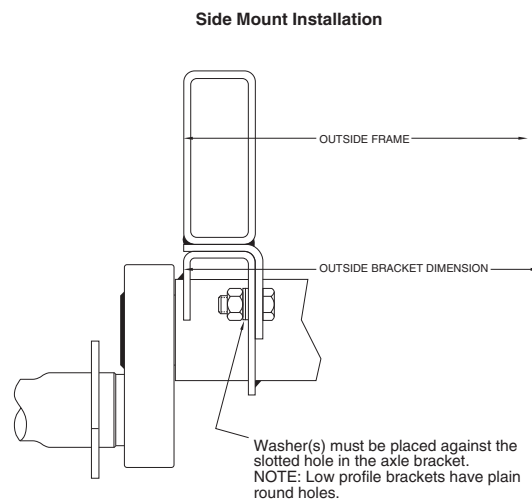
Step 2: Determine the method of attachment you wish to use. a. For structural tube type frame rails, refer to Figure 1 for the recommended attachment. b. For “C” channel or “I” beam type frame, refer to Figure 2.

Step 3: Once the method of attachment is decided, the axle(s) must be carefully aligned on the trailer frame. The axle(s) centerline must be perpendicular to the longitudinal centerline of the trailer. See figure 3.

CAUTION: Misalignment of the axle(s) can cause poor tracking and accelerated tire wear.

Attachment to Structural Tube Type Frame

- Dexter recommends the use of side mounting hangers when mounting axles to tubular type frames. These hangers provide a convenient means for bolting the axles in place. All of the necessary components are included in the Side Mount A/P Kits listed in Chart 1.
- Refer to Chart 2 to find the mounting bracket dimensions of your axles. This chart shows the dimensions from the wheel center to the bolt holes of the brackets.
- The preferred way to use the side mount hanger is to pre-assemble the hangers to the axle using the hardware provided in the A/P kit. Make sure the hangers are clamped firmly against the axle brackets and the bolts are tightened to the torque specifications shown in Chart 1. Position the axle assembly on the frame rails in the desired location and weld the side mount hangers to the frame.
- Axle bracket position is the distance as measured over the outboard edges of the brackets. This dimension is usually matched to the outside measurement of the frame members but depending on the type of frame may not always be suitable. The preferred arrangement should place the longest vertical section of the axle bracket directly under the most rigid section of the frame member.



Side mount hangers should be welded to frame with three (3) ¼" fillet welds, 2½" long on each side of the hanger and a fillet weld on each end. Welds should meet the quality standards of the American Welding Society, D1.1, Structural Welding Code.

Chart 1

Attaching Parts Kits and Torque Specifications					
Axle Size	A/P Kit Top Mount	A/P Kit Side Mount	A/P Kit Side Mount Aluminum	Bolt Size	Torque Lb-Ft.
lbs. 8	A/P-161-00	A/P-165-00	A/P-180-00	1/2"	70-90
lbs. 9	A/P-161-00	A/P-165-00	A/P-180-00	1/2"	70-90
lbs. 10	A/P-148-00	A/P-166-00	A/P-181-00	5/8"	120-155
lbs. 10L	A/P-148-00	A/P-166-00	A/P-181-00	5/8"	120-155
lbs. 10F	A/P-148-00	A/P-166-00	A/P-181-00	5/8"	120-155
lbs. 11	A/P-148-00	A/P-167-00	A/P-182-00	5/8"	120-155
lbs. 12	A/P-148-00	A/P-168-00	A/P-183-00	5/8"	120-155
lbs. 12T	A/P-148-00	A/P-169-00	N/A	5/8"	120-155
lbs. 12V	A/P-148-00	A/P-168-00	N/A	5/8"	120-155
lbs. 13	A/P-148-00	A/P-169-00	N/A	5/8"	120-155
lbs. 13T	A/P-148-00	A/P-169-00	N/A	5/8"	120-155

Side mount hangers and fasteners for mounting axle are provided in the A/P Attaching Parts Kits shown in Chart 1. Torque fasteners to levels specified in Chart 1.

Attachment to Structural Tube Type Frame

- Refer to Chart 2 to find the mounting bracket dimensions of your axles. This chart shows the dimensions from the wheel center to the bolt holes of the brackets.
- Lay out the bolt hole locations on the bottom flanges of the frame rails. Make sure the hole pattern matches the mounting brackets of your axles and is properly oriented to allow proper alignment of the axle(s).
- An alternate method for determining hole location is to position the axle assembly on the frame rails, align it perpendicular to the trailer centerline, clamp in place and transfer the holes directly from the brackets.
- Drill the holes through the frame rails and attach the axle using the hardware provided in the A/P kit. Tighten the bolts to the torque specified in Chart 1.

CAUTION: When bolting to structural shapes that have tapered flanges, bevel washers must be used to prevent uneven clamping and bending of the fasteners.

Note: In the unlikely event a Torflex® axle must be replaced during the warranty period, Dexter cannot assume responsibility for additional costs incurred for removal and reinstallation of axles that have been welded directly to the frame.

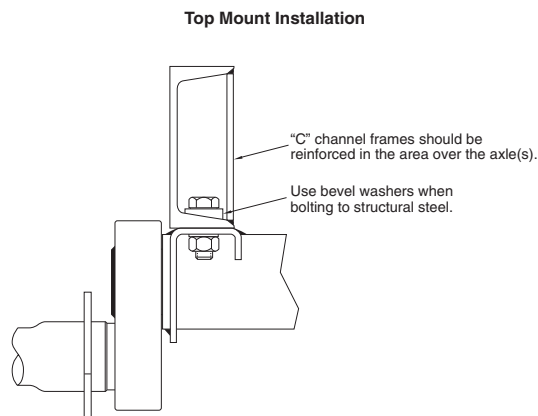
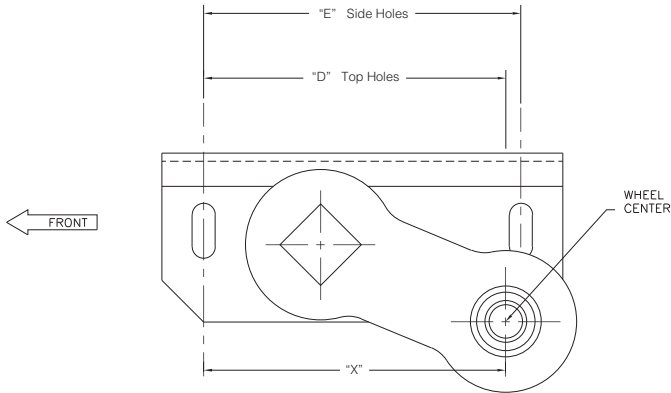


Figure 2

CAUTION: “C” channel and “I” beam type frame sections should be reinforced in the area over the axle mounting brackets. It is recommended that the vertical leg of the axle bracket be positioned directly under the vertical segment or reinforcement of the frame member.

Chart 2
Bracket Dimensions



Fender Clearance: allow 3" over the tire at full load.

Start Angle of Trailing Arm Mounting Hole to Wheel Center - Dimension "X" (Inches)

Torflex® Axle Model	45° Down		32° Down		22.5° Down		10° Down		0°		10° Up		22.5° Up		Mounting Hole Spacing (Inches)	
	No Load	Full Load	No Load	Full Load	No Load	Full Load	No Load	Full Load	No Load	Full Load	No Load	Full Load	No Load	Full Load	Dim "D" (Top)	Dim "E" (Side)
lbs. 8 (4" arm)	5.21	6.08	5.77	6.33	6.08	6.38	6.32	6.29	6.38	6.08	6.32	5.75	6.08	5.21	7.75	8.00
lbs. 9 (6" arm)	6.62	7.92	7.47	8.30	7.92	8.38	8.29	8.24	8.38	7.92	8.29	7.44	7.92	6.62	7.75	8.00
lbs. 10 (6" arm)	6.74	8.04	7.59	8.42	8.04	8.50	8.41	8.36	8.50	8.04	8.41	7.56	8.04	6.74	8.00	8.00
lbs. 10L (6" arm)	6.74	8.04	7.59	8.42	8.04	8.50	8.41	8.36	8.50	8.04	8.41	7.56	8.04	6.74	8.00	8.00
lbs. 10F (6" arm)	6.74	8.04	7.59	8.42	8.04	8.50	8.41	8.36	8.50	8.04	8.41	7.56	8.04	6.74	8.00	8.00
lbs. 11 (6" arm)	7.74	9.04	8.59	9.42	9.04	9.50	9.41	9.36	9.50	9.04	9.41	8.56	9.04	7.74	9.00	9.50
lbs. 12 (6" arm)	7.74	9.04	8.59	9.42	9.04	9.50	9.41	9.36	9.50	9.04	9.41	8.56	9.04	7.74	9.00	9.50
lbs. 12T (6" arm)	7.87	9.17	8.72	9.55	9.17	9.63	9.54	9.49	9.63	9.17	9.54	8.69	9.17	7.87	10.56	10.56
lbs. 12V (6" arm)	7.74	9.04	8.59	9.42	9.04	9.50	9.41	9.36	9.50	9.04	9.41	8.56	9.04	7.74	9.00	9.50
lbs. 13 (6" arm)	7.87	9.17	8.72	9.55	9.17	9.63	9.54	9.49	9.63	9.17	9.54	8.69	9.17	7.87	10.56	10.56
lbs. 13T (6" arm)	7.87	9.17	8.72	9.55	9.17	9.63	9.54	9.49	9.63	9.17	9.54	8.69	9.17	7.87	10.56	10.56

Axle Alignment Dimensions

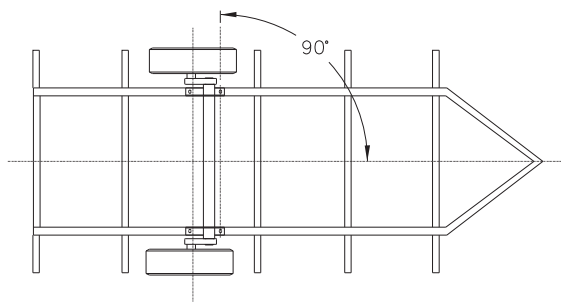


Figure 3

To ensure proper tracking, the axle must be placed on the frame perpendicular to the centerline of the vehicle. The accuracy must be within plus or minus one half degree. For multiple axle applications, each axle must be parallel with the others within one sixteenth of an inch when measured at the wheel centers.

CAUTION: When laying out the position for the axle(s), measuring from the front cross member should only be done if the cross member has been checked for squareness to the frame centerline. Any error in the cross member will be transferred to the axle and can result in poor tracking and excessive tire wear.



Dexter Axle Limited Warranty

What Products Are Covered

All Dexter Axle Company (“Dexter”) trailer axles, suspensions, and brake control systems manufactured on or after September 1, 2016, excluding Dexter 6000 series Manufactured Housing Axles. Additional exclusions include the following brands: UFP by Dexter, AL-KO (IAC), Titan Brakes and Actuators by Dexter, and BrakeRite by Dexter products, which are covered under separate warranties.

Limited 1 Year Warranty

As specified in Dexter’s current publication “Operation Maintenance Service Manual”, grease and oil seals FOR ALL PRODUCTS have a one (1) year limited warranty to the original purchaser from the date of first sale of the trailer incorporating such components. **Except as to grease and oil seals, the following four other warranties are available.**

Limited 2 Year Warranty

Dexter warrants to the original purchaser that its electric/hydraulic brake actuators shall be free from defects in material and workmanship for a period of two (2) years from the date of first sale of the trailer incorporating such components.

Limited 5 Year Warranty

Dexter warrants to the original purchaser that its axles, suspension systems and Genuine Replacement Parts shall be free from defects in material and workmanship for a period of five (5) years. The warranty period shall begin from the date of the original purchase of the trailer and/or Genuine Replacement Parts.

Limited 7 Year Warranty

Dexter warrants to the original purchaser that its Predator Series® electric brake controllers shall be free from defects in material and workmanship for a period of seven (7) years from the date of purchase.

Limited 10 Year Warranty

Dexter warrants to the original purchaser that the suspension components of its Torflex® axles shall be free from defects in material and workmanship for a period of ten (10) years from the date of first sale of the trailer incorporating such suspension components.

Exclusive Remedy

Dexter will, at its option, repair or replace the affected components of any defective axle, repair or replace the entire defective axle, or refund the lesser of the original purchase price and the then-current list price of the axle or components. In all cases, a reasonable time period must be allowed for warranty repairs to be completed. Allowance will only be made for installation costs specifically approved by Dexter.

What You Must Do

In order to make a claim under these warranties:

1. You must be the original purchaser of the trailer in which the sprung suspension axles or Torflex® axles or components were originally installed.
2. You must promptly notify Dexter after detection of any defect, but in any case within the applicable warranty period of such defect, and provide us with the axle or applicable component serial number and any substantiation of such defect which may include, but is not limited to, the return of part(s) that we may reasonable request.
3. The axles, suspensions and components must have been installed and maintained in accordance with good industry practice and any specific Dexter recommendations, including those specified in Dexter’s current publication “Operation Maintenance Service Manual”.

Exclusions

These warranties do not extend to and do not cover defects caused by:

1. The connecting of brake wiring to the trailer wiring or trailer

wiring to the towing vehicle wiring.

2. The attachment of the running gear to the frame.
3. Parts not supplied by Dexter.
4. Any damage whatsoever caused by or related to any alteration of the axle including welding supplemental brackets to the axle.
5. Use of an axle on a unit other than the unit to which it was originally mounted.
6. Normal wear and tear.
7. Improper alignment.
8. Improper installation.
9. Unreasonable use (including failure to provide reasonable and necessary maintenance as specified in Dexter’s current publication “Operation Maintenance Service Manual including required maintenance after “Prolonged Storage”.)
10. Improper torque values and torquing of wheel nuts. (The proper torquing procedure and torque values are contained in Dexter’s current publication “Operation Maintenance Service Manual”).
11. Cosmetic finish or corrosion.

Limitations

1. **In all cases, Dexter reserves the right to fully satisfy its obligations under the Limited Warranties by refunding the lesser of the original purchase price and the then-current list price of the defective axle (or, if the axle has been discontinued, of the most nearly comparable current product).**
2. Dexter reserves the right to furnish a substitute of replacement component or product in the event an axle or any component of the axle is discontinued or is otherwise unavailable.
3. These warranties are nontransferable.

General

THE FOREGOING WARRANTIES ARE EXCLUSIVE AND IN LIEU OF ALL OTHER WARRANTIES EXCEPT THAT OF TITLE, WHETHER WRITTEN, ORAL OR IMPLIED, IN FACT OR IN LAW (INCLUDING ANY WARRANTY AGAINST INFRINGEMENT OR OF MERCHANTABILITY OR FITNESS FOR A PARTICULAR PURPOSE).

These warranties give you specific legal rights, and you may also have other rights which vary from state to state.

DEXTER HEREBY EXCLUDES INCIDENTAL AND CONSEQUENTIAL DAMAGES, INCLUDING LOSS OF TIME, INCONVENIENCE, LOSS OF USE, TOWING FEES, TELEPHONE CALLS, COST OF MEALS OR LODGING, FOR ANY BREACH OF ANY EXPRESS OR IMPLIED WARRANTY.

Some states do not allow limitations on how long an implied warranty lasts, or the exclusion or limitation if incidental or consequential damages, so the above exclusion or limitation may not apply to you.

Inquiries regarding these warranties should be sent to:

Dexter Axle Company
P.O. Box 250
Elkhart, IN 46515

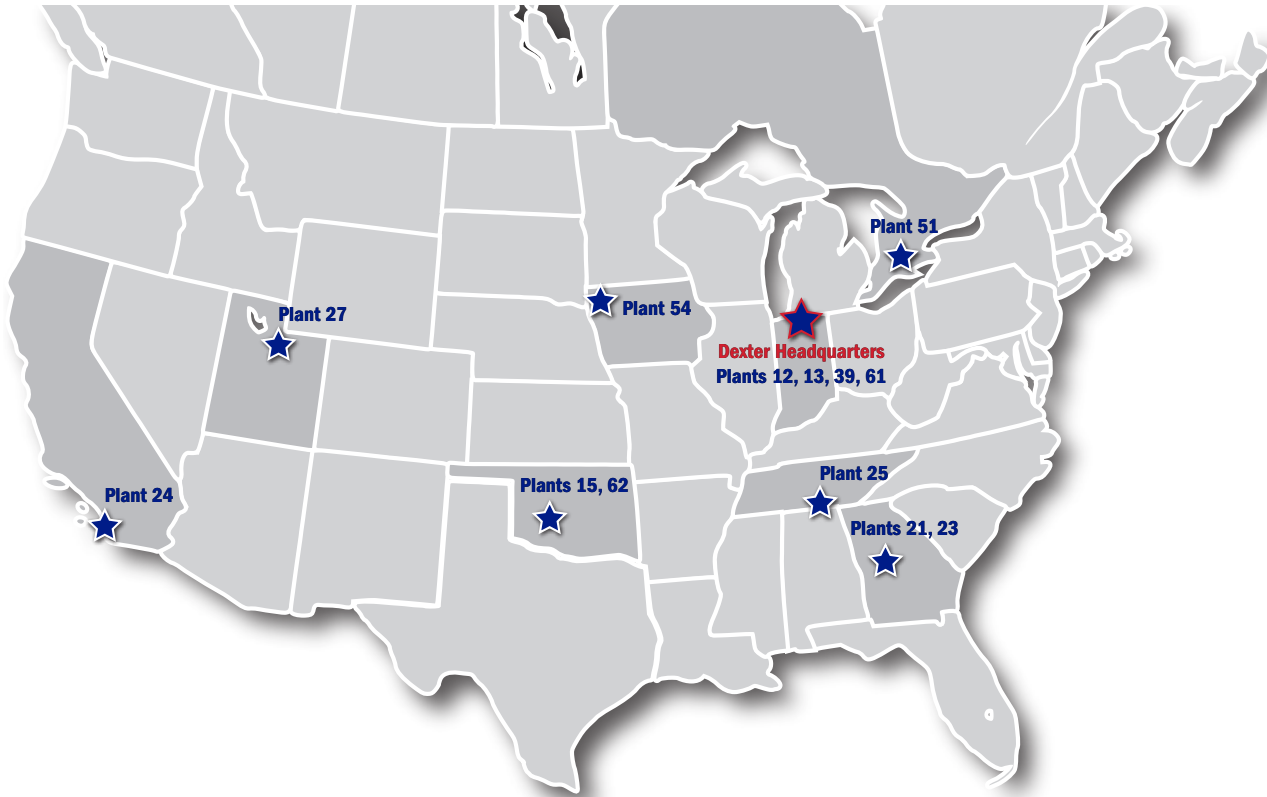
Note: Current publication “Operation Maintenance Service Manual” can be found at www.dexteraxle.com.

Locations



**ADDITIONAL
INFORMATION**

Genuine Dexter axles and components are available nationwide from our plant locations listed below or through our network of distributors. Check our website for the distributor nearest you.



Dexter - Headquarters

2900 Industrial Parkway East ■ Elkhart, Indiana 46516
 Phone: 574-295-7888 ■ Fax: 574-295-8666
www.dexteraxle.com

Dexter - Plant 12

301 West Pearl Street
 Fremont, Indiana 46737
 Phone: 260-495-5100
 Fax: 260-495-1701

Dexter - Plant 13

500 South 7th Street
 Albion, Indiana 46701
 Phone: 260-636-2195
 Fax: 260-636-3030

Dexter - Plant 15

500 Southeast 27th Street
 El Reno, Oklahoma 73036
 Phone: 405-262-6700
 Fax: 405-262-9089

Dexter - Plant 21

199 Perimeter Road
 Monticello, Georgia 31064
 Phone: 706-468-6495
 Fax: 706-468-2966

Dexter - Plant 23

5600 Bucknell Drive SW
 Atlanta, Georgia 30336
 Phone: 404-477-6899
 Fax: 470-443-1715

Dexter - Plant 24

135 Sunshine Lane
 San Marcos, California 92069
 Phone: 760-744-1610
 Fax: 760-744-1616

Dexter - Plant 25

1041 Baxter Lane
 Winchester, Tennessee 37398
 Phone: 931-967-5101
 Fax: 877-457-9861

Dexter - Plant 27

1845 South 300 West
 Salt Lake City, UT 84115
 Phone: 801-486-4916
 Fax: 801-486-1711

Dexter - Plant 39

902 South Division Street
 Bristol, Indiana 46507
 Phone: 574-848-4491
 Fax: 574-848-4825

Dexter - Plant 51

347 King Street West
 Ingersoll, Ontario N5C 2K9
 Phone: 226-242-5291
 Fax: 226-444-0474

Silent Drive by Dexter - Plant 54

1300 Arizona Place SW
 Orange City, Iowa 51041
 Phone: 712-737-4865

Dexter - Plant 61

21611 Protecta Drive
 Elkhart, Indiana 46516
 Phone: 574-294-6651
 Fax: 574-295-6626

Dexter - Plant 62

301 North Kennedy Street
 Shawnee, Oklahoma 74801
 Phone: 405-273-9315
 Fax: 405-273-1054

NO PART OF THIS CATALOG MAY BE REPRODUCED WITHOUT DEXTER'S PERMISSION. ALL PART NUMBERS, DIMENSIONS AND SPECIFICATIONS IN THIS CATALOG ARE SUBJECT TO CHANGE WITHOUT NOTICE.





www.dexteraxle.com

2900 Industrial Parkway East • Elkhart, IN 46516
Phone: 574-295-7888 • Fax: 574-295-8666

ISO 9001:2015 Certified

